



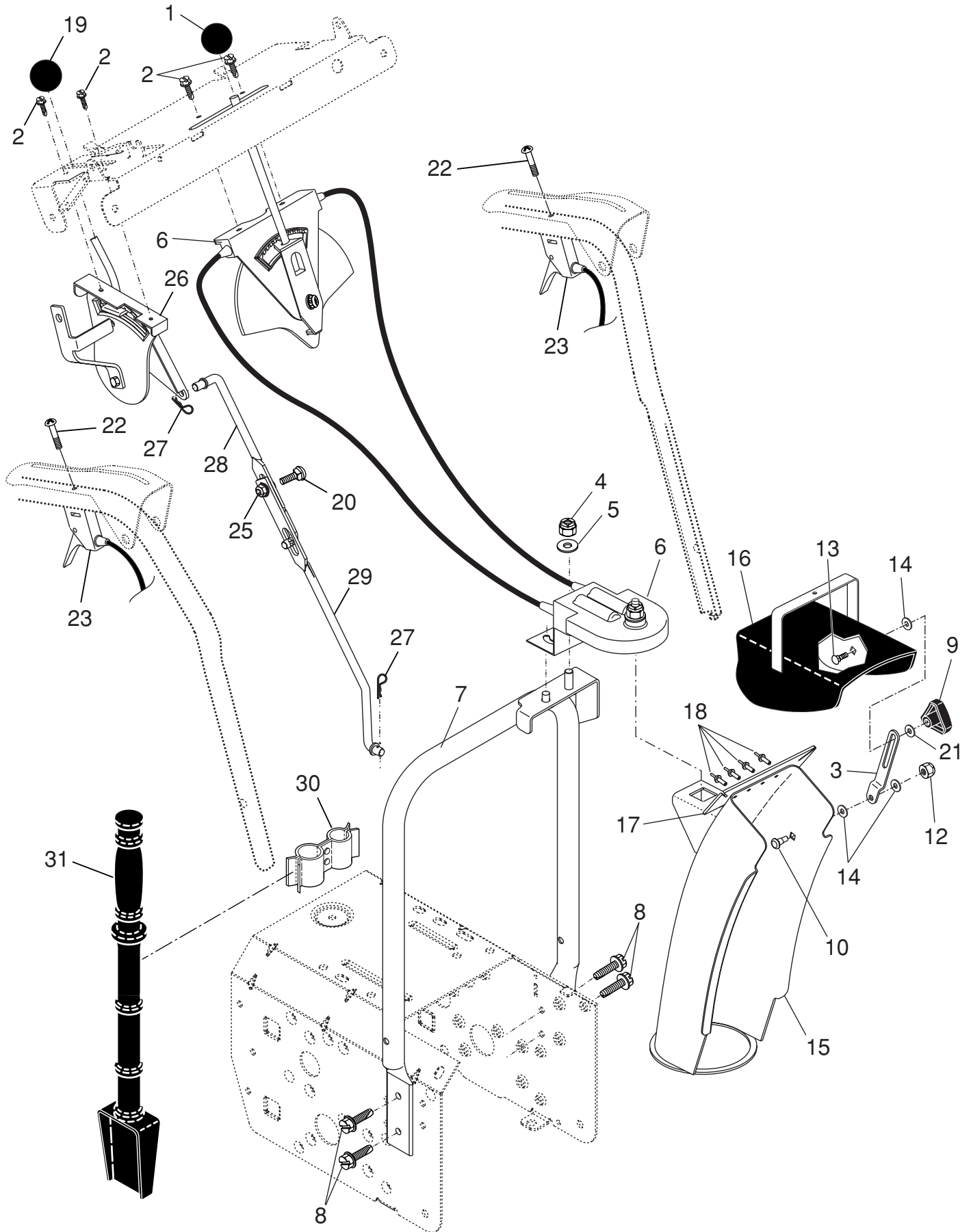
# REPAIR PARTS      SNOW THROWER - MODEL PP10530ES (96192001200)

## AUGER HOUSING / IMPELLER ASSEMBLY

KEY NO.	PART NO.	DESCRIPTION
4	191079	Pulley, Impeller
5	188909	Bearing Assembly, Flange
6	198541	Nut, Hex Flange 5/16-18
7	180355	Bolt, Flat Head, Carriage 5/16-18 x 5/8
8	72270505	Bolt, Carriage 5/16-18
9	199879	Bolt, Hex Head
10	404927X428	Housing, Auger
11	404933X479	Bar, Scraper
12	178675X008	Bracket, Corner Discharge
13	175322	Base, Discharge Chute
14	19111507	Washer, Flat
15	198552	Washer, Lock 5/16
16	74950512	Screw, Hex Head 5/16-18 x 3/4
17	405637	Grease Fitting
18	179582	Screw, Hex Head 5/16 x 1
19	73800400	Nut, Hex Lock 1/4-20
20	198541	Nut, Hex Lock 5/16-18
22	178777X479	Skid Plate, RH
25	72270506	Bolt, Carriage 5/16-18 x 3/4
26	174658	Bearing, Auger
27	174697	Washer, Thrust, 1"
28	198636	Bolt, Shear
29	174762X479	Skid Plate, LH
30	405973X479	Auger Assembly, RH
31	405972X479	Auger Assembly, LH
32	407768	O-Ring
33	407769	Bushing, Flange 3/4
34	174681	Washer, Thrust 3/4
35	174684	Bearing, Thrust 3/4
36	407757	Shaft, Impeller
37	174683	Washer, Thrust 5/8
38	407758	Bushing, Flange 5/8
39	407767	Screw, Hex Head 5/16-18 x 3/4
40	407760	Plug, Case
41	407761	Housing, Gearbox, RH
42	407770	Seal, Oil
43	407762	Bushing, Flange, 1"
44	189282	Key, Square 1/4 x 1/4 x 7/8
45	407763	Gear, Worm
46	407764	Shaft, Auger
47	407765	Housing, Gearbox, LH
48	175321X479	Impeller Assembly
49	74780426	Screw, Hex Head 1/4-20 x 1-5/8
50	407766	Gasket, Gearbox
51	7836M	Pin, Roll 3/16 x 1-1/8
55	198638	Spacer
56	180684	Multi-Wrench
57	196710	Gearbox Assembly

**NOTE:** All component dimensions given in U.S. inches. 1 inch = 25.4 mm  
**IMPORTANT:** Use only Original Equipment Manufacturer (O.E.M.) replacement parts.  
 Failure to do so could be hazardous, damage your unit and void your warranty.

**REPAIR PARTS      SNOW THROWER - MODEL PP10530ES (96192001200)**  
**CONTROL PANEL / DISCHARGE CHUTE**



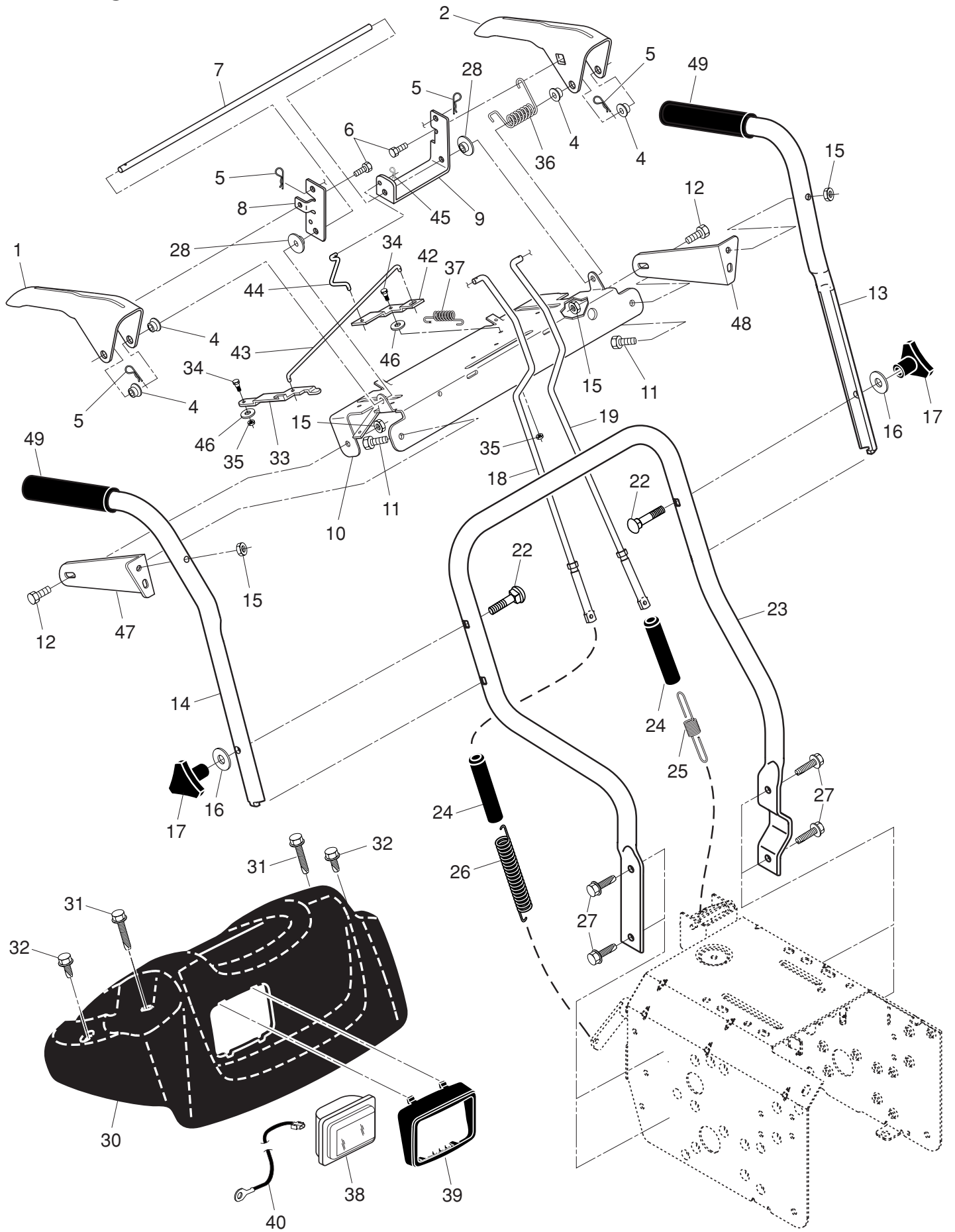
**REPAIR PARTS      SNOW THROWER - MODEL PP10530ES (96192001200)**  
**CONTROL PANEL / DISCHARGE CHUTE**

<b>KEY NO.</b>	<b>PART NO.</b>	<b>DESCRIPTION</b>
1	183334	Knob, Lever
2	17501010	Screw #10-24 x 5/8
3	179096X479	Strap, Slotted
4	73800600	Nut, Lock 3/8-16
5	19131316	Washer, Flat 3/8
6	198473	Control Assembly, Chute Rotater
7	405784X479	Support, Pivot
8	150078	Screw, Hex Head 5/16-18 x 3/4
9	189713X428	Knob, De ector
10	185600	Bolt, Shoulder
12	191730	Nut, Lock 1/4-20
13	72250505	Bolt, Carriage 5/16-18
14	751153	Nut, Lock 5/16-18
15	404770X428	Chute Assembly
16	178633X428	De ector Assembly
17	179145	Seal, De ector
18	128415	Rivet, Blind
19	183333	Knob, Speed Control Lever
20	72270506	Bolt, Carriage 5/16-18 x 3/4
21	155415	Washer, Flat
22	74041024	Screw #10-24 x 1-1/2
23	188303	Control Assembly, Power Steering
25	198541	Nut, Lock 5/16-18
26	198474	Lever Assembly, Speed Control
27	169675	Retainer, Hairpin
28	180445	Rod, Upper, Speed Control
29	187716	Rod, Lower, Speed Control
30	192710	Clamp, Mounting, Clean-Out Tool
31	192199	Tool, Clean-Out

**NOTE:** All component dimensions given in U.S. inches. 1 inch = 25.4 mm  
**IMPORTANT:** Use only Original Equipment Manufacturer (O.E.M.) replacement parts.  
 Failure to do so could be hazardous, damage your unit and void your warranty.

# REPAIR PARTS HANDLES

## SNOW THROWER - MODEL PP10530ES (96192001200)



# REPAIR PARTS HANDLES

# SNOW THROWER - MODEL PP10530ES (96192001200)

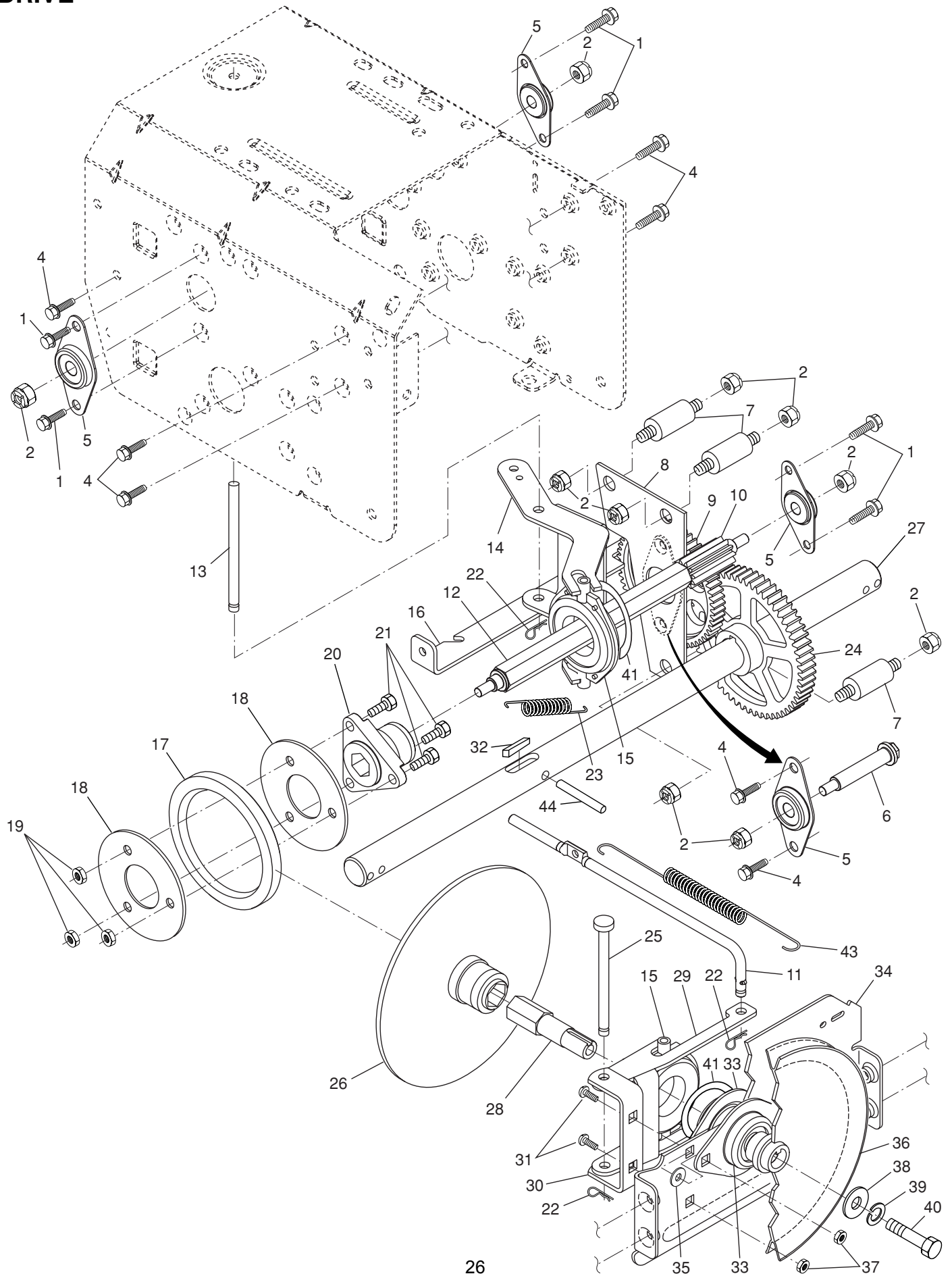
KEY NO.	PART NO.	DESCRIPTION
1	405783X479	Lever, Auger Control, RH
2	405999X479	Lever, Traction Drive Control, LH
4	178888	Bushing, Flange
5	169675	Retainer, Hairpin
6	17060408	Screw, Hex Head 1/4-20 x 3/4
7	178652	Rod, Interlock
8	196333X008	Arm, Impeller Rod
9	196334X008	Arm, Traction Rod
10	196619X479	Panel, Control
11	74780524	Screw, Hex Head 5/16-18 x 1-1/2
12	74780512	Screw, Hex Head 5/16-18 x 1-3/4
13	407854X479	Handle Tube, LH
14	407855X479	Handle Tube, RH
15	751153	Nut, Lock 5/16-18
16	19131316	Washer, Flat 3/8
17	178899	Knob, Handle
18	180480	Rod, Auger Control
19	180481	Rod, Traction Control
22	72120618	Bolt, Carriage 3/8-16 x 2-1/4
23	178643X479	Handle Tube, Lower
24	180447	Sleeve, Spring
25	180926	Spring, Traction Drive
26	178669	Spring, Auger Control
27	17000616	Screw, Hex Head 3/8-16 x 1
28	198559	Bushing, Pivot Lever
30	182906	Console, Panel
31	175262	Screw, Hex Head, Tapping #10-24 x 1-1/4
32	184471	Screw, Hex Head, Tapping #10-24 x 1/2
33	196335X008	Latch, Interlock
34	183518	Bolt, Shoulder
35	68038	Nut, Lock 1/4-20
36	178831	Spring, Torsion, Lever
37	193885	Spring, Interlock
38	180927	Headlight, Flood
39	178668	Bezel, Headlight
40	178770	Harness, Headlight (Flood)
42	196336X008	Lever, Interlock
43	196337	Rod, Latch, Interlock
44	196338	Rod, Arm, Interlock
45	700279	Clip
46	57079	Washer, Friction
47	196944	Mounting Bracket, Control Panel, RH
48	196943	Mounting Bracket, Control Panel, LH
49	199513	Grip, Handle

**NOTE:** All component dimensions given in U.S. inches. 1 inch = 25.4 mm  
**IMPORTANT:** Use only Original Equipment Manufacturer (O.E.M.) replacement parts.  
 Failure to do so could be hazardous, damage your unit and void your warranty.

# REPAIR PARTS

# SNOW THROWER - MODEL PP10530ES (96192001200)

## DRIVE



**REPAIR PARTS  
DRIVE**

**SNOW THROWER - MODEL PP10530ES (96192001200)**

KEY NO.	PART NO.	DESCRIPTION
1	198584	Screw, Hex Head 5/16-18 x 3/4
2	751153	Nut, Lock 5/16-18
4	198584	Screw, Hex Head 5/16-18 x 1/2
5	180017	Bearing, Flange
6	180134	Shaft, Auxiliary
7	179270	Spacer, Plate
8	192616X479	Plate, Auxiliary
9	180082	Gear, Intermediate (12/58)
10	180065	Gear, Pinion
11	187714	Rod, Clutch
12	180066	Shaft, Long, Hex
13	178807	Pin, Pivot
14	178619X479	Lever, Shifter / Wheel
15	175344	Trunnion Bearing Assembly
16	186951X479	Bracket, Pivot, Shifter
17	179831	Ring, Rubber Wheel
18	198176X479	Plate, Rubber Wheel
19	73930500	Nut, Lock 5/16-18
20	178613	Hub, Rubber Wheel
21	74760514	Screw, Hex Head 5/16-18 x 7/8
22	85179	Retainer, Hairpin
23	180135	Spring, Bias
24	180081	Gear, Axle (58 Teeth)
25	178695	Pin, Pivot Lever
26	197763	Plate Assembly, Drive
27	404307	Shaft, Axle
28	197764	Shaft, Short Hex
29	175350X479	Lever, Shifter Plate
30	175349X479	Bracket, Shifter Support
31	72270505	Bolt, Carriage 5/16-18 x 5/8
32	189282	Key, Square 1/4 x 1/4 x 7/8
33	188909	Bearing, Flange
34	175338X479	Plate, Drive Mounting
35	182504	Spacer, Bearing
36	191080	Pulley, Traction Drive
37	198541	Nut, Lock 5/16-18
38	19111507	Washer, Flat
39	198552	Washer, Lock 5/16
40	74950512	Screw, Hex Head 5/16-18 x 3/4
41	12000012	Ring, Retaining
43	179095	Spring, Return
44	9465M	Pin, Roll

**NOTE:** All component dimensions given in U.S. inches. 1 inch = 25.4 mm  
**IMPORTANT:** Use only Original Equipment Manufacturer (O.E.M.) replacement parts.  
 Failure to do so could be hazardous, damage your unit and void your warranty.





# REPAIR PARTS SNOW THROWER - MODEL PP10530ES (96192001200)

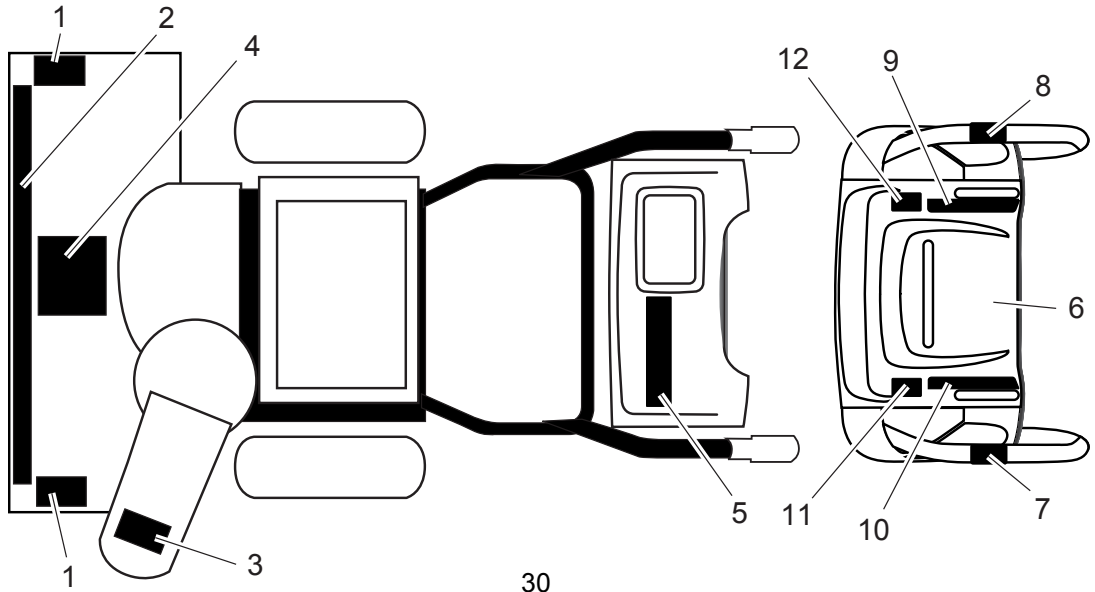
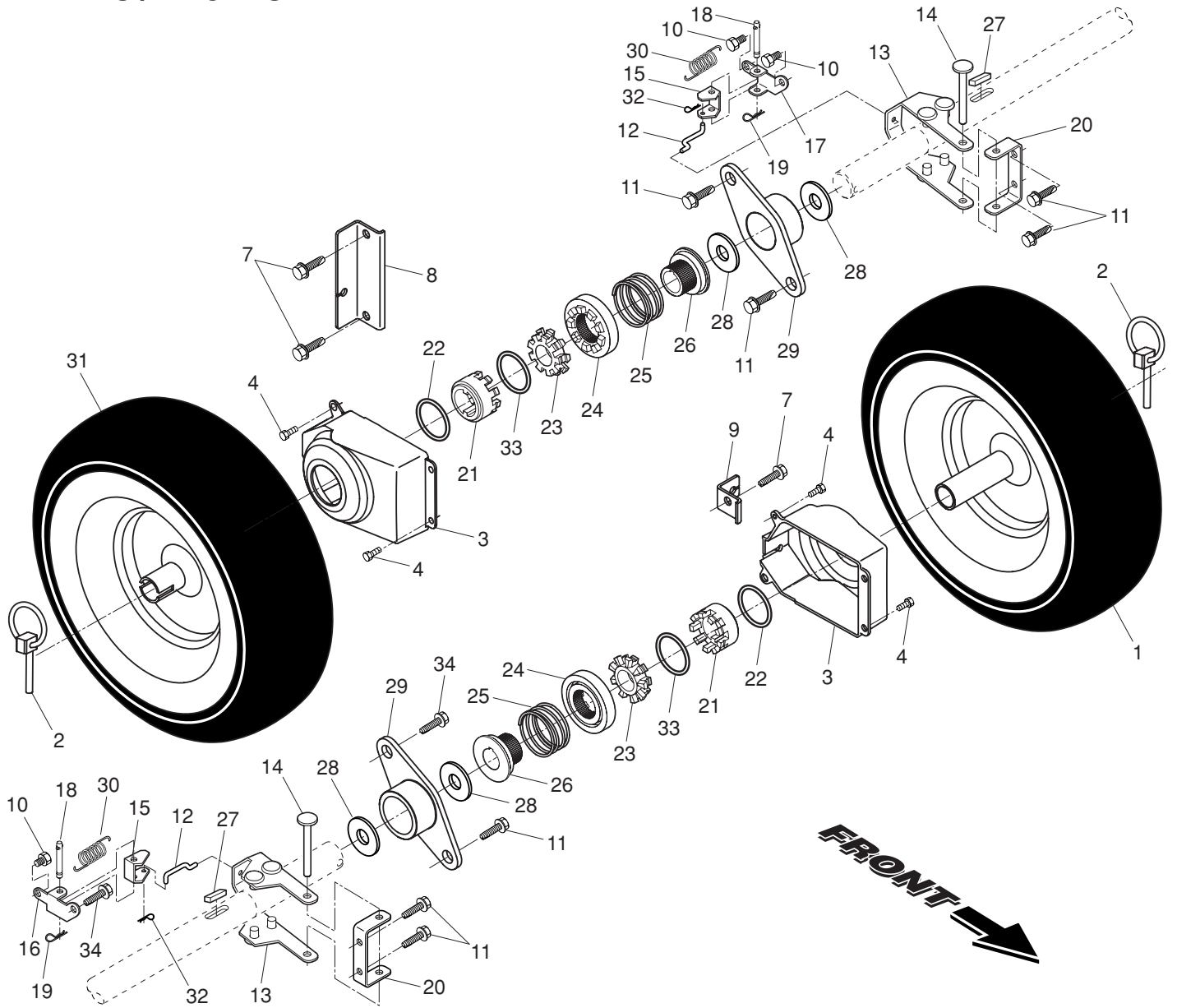
## CHASSIS / ENGINE / PULLEYS

KEY NO.	PART NO.	DESCRIPTION	KEY NO.	PART NO.	DESCRIPTION
			27	851084	Screw, Hex Head 3/8-24 x 1-3/8
			28	155452	Guide, Belt
			29	192213	Belt Cover Assembly (Includes Toolbox Cover)
1	181044	Spring, Traction Idler	30	178830	Cover, Toolbox
2	180522	Pulley, Idler (2-1/4)	31	405024	Screw, Hex Head 1/4-20 x 1/2
3	---	Engine, Tecumseh, Model Number LH358SA	32	179256	Bolt, Shoulder 5/16-18
4	74780520	Screw, Hex Head 5/16-18 x 1-1/4	33	187853	Bellcrank Shifter
6	59289	Washer, Flat	34	198580	Screw, Hex Head 1/4-28 x 3/4
7	166785	Nut, Jam, Lock 5/16-18	35	405485	Arm, Auger Control
8	175330	Pin, Idler Pivot	36	73800500	Nut, Lock 5/16-18
9	179092	V-Belt, Traction Drive	37	178833X479	Bellcrank
10	198552	Washer, Lock 5/16	38	187101	Link, Speed Control
11	198584	Screw, Hex Washer Head 5/16-18 x 1/2	39	192110	Trunnion, Pivot Bracket
12	179259	Impeller Arm / Pad Assembly	41	700279	Clip, Retainer
13	85179	Retainer, Hairpin	42	179065	Pin, Pivot Bracket
14	178828	Spring, Brake	43	179063X479	Bracket, Bellcrank
15	183533	V-Belt, Impeller Drive	44	17000616	Screw, Hex Head 3/8-16
16	150406	Screw, Hex Head 3/8-16 x 1-1/4	45	175324X479	Bracket, Pivot, Idler
17	179354X008	Arm, Idler	46	178624X479	Pan, Frame Bottom
18	74780524	Screw, Hex Head 5/16-18 x 1-1/2	47	71020512	Screw, Hex Head 5/16-18 x 3/4
19	198559	Bushing, Idler Pivot	48	181156	Nut, Speed 5/16-18
20	180523	Pulley, Idler (2-3/4)	49	404431X428	Frame Assembly
21	74610516	Screw, Hex Head 5/16-18 x 1	50	187715X428	Plate, Frame End
22	179371	Spacer, Engine Pulley	51	406109	Shaft, Auger Control
23	180478	Pulley, Engine, Traction Drive	52	57079	Washer, Hardened
24	179157	Pulley, Engine, Impeller Drive	55	12000002	E-Ring
25	400026	Washer, Flat 3/8	57	11050500	Washer, Lock, External Tooth 5/16
26	850263	Washer, Lock 3/8	58	198563	Power Cord

**NOTE:** All component dimensions given in U.S. inches. 1 inch = 25.4 mm  
**IMPORTANT:** Use only Original Equipment Manufacturer (O.E.M.) replacement parts.  
 Failure to do so could be hazardous, damage your unit and void your warranty.

**REPAIR PARTS**  
**WHEELS / DECALS**

**SNOW THROWER - MODEL PP10530ES (96192001200)**



# REPAIR PARTS      SNOW THROWER - MODEL PP10530ES (96192001200)

## WHEELS / DECALS

KEY NO.	PART NO.	DESCRIPTION
1	192092X421	Wheel Assembly, 16", Power Steering, LH
2	155443	Pin, Klik 1/4
3	405161	Cover, Power Steering
4	184471	Screw, Hex Head #10-24 x 1/2
7	17000616	Capscrew, Hex Head, Flanged 3/8-16 x 1
8	185603X479	Bracket, Steering Cable, RH
9	185602X479	Bracket, Steering Cable, LH
10	17600406	Screw, Hex Head 1/4-20 x 3/8
11	198584	Screw, Hex Head 5/16-18 x 1/2
12	406057	Link, Steering Lever
13	193506X498	Yoke, Steering
14	182015	Pin, Steering Lever
15	194944X008	Bellcrank
16	194939X008	Bracket, LH Steering
17	194943X008	Bracket, RH Steering
18	181847	Pin, Steering Bellcrank
19	85179	Retainer, Hairpin
20	179148X479	Bracket, Steering
21	192126	Driver, Wheel
22	182466	Ring, Wire Retainer
23	187622	Lobe, Wheel
24	194941	Slide, Clutch
25	179139	Spring, Clutch Slide
26	194940	Lobe, Axle
27	189282	Key, Square 1/4 x .875
28	174697	Washer, Thrust (1")
29	179830	Bearing, Axle
30	193885	Spring, Return, Steering Latch
31	192093X421	Wheel Assembly, 16", Power Steering, RH
32	700279	Clip, Retainer
33	12000045	Ring, Retaining
34	146315	Screw, Hex Head, Tapping 5/16-18 x 5/8

KEY NO.	PART NO.	DESCRIPTION
1	181037	Decal, Danger
2	199302	Decal, Poulan Pro, 10.5 HP / 30"
3	181035	Decal, Danger, De ector
4	181042	Decal, Danger
5	199301	Decal, Poulan Pro
6	181033	Decal, Instruction
7	155798	Decal, Traction Lever
8	155800	Decal, Auger Lever
9	181039	Decal, Speed Control
10	183730	Decal, Remote De ector Control
11	183907	Decal, LH Trigger
12	183905	Decal, RH Trigger
--	407885	Owner's Manual, English
--	407886	Owner's Manual, French

**NOTE:** All component dimensions given in U.S. inches. 1 inch = 25.4 mm  
**IMPORTANT:** Use only Original Equipment Manufacturer (O.E.M.) replacement parts.  
 Failure to do so could be hazardous, damage your unit and void your warranty.