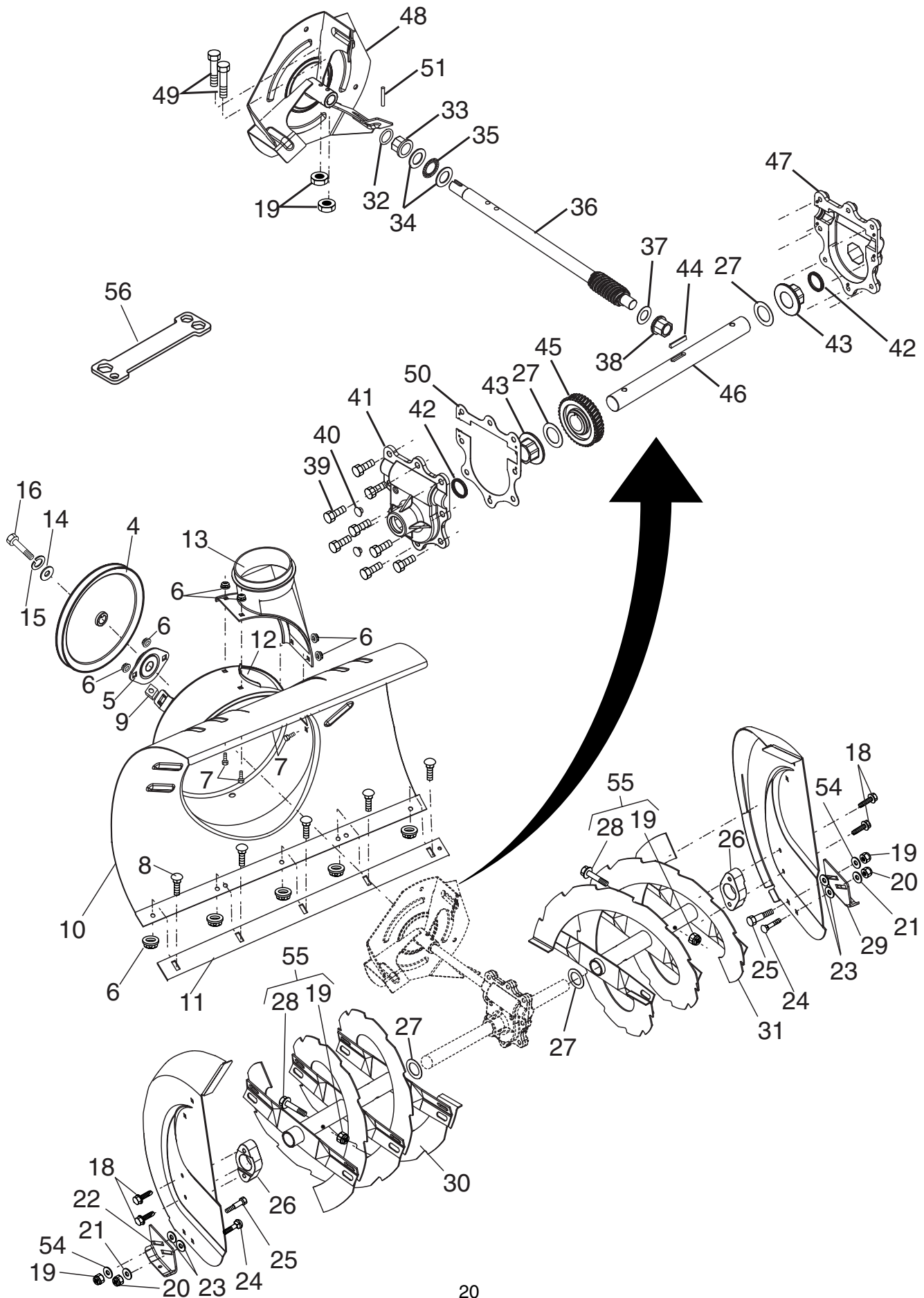


# REPAIR PARTS SNOW THROWER - - MODEL NO. PP5524ES (96192000200)

## AUGER HOUSING / IMPELLER ASSEMBLY



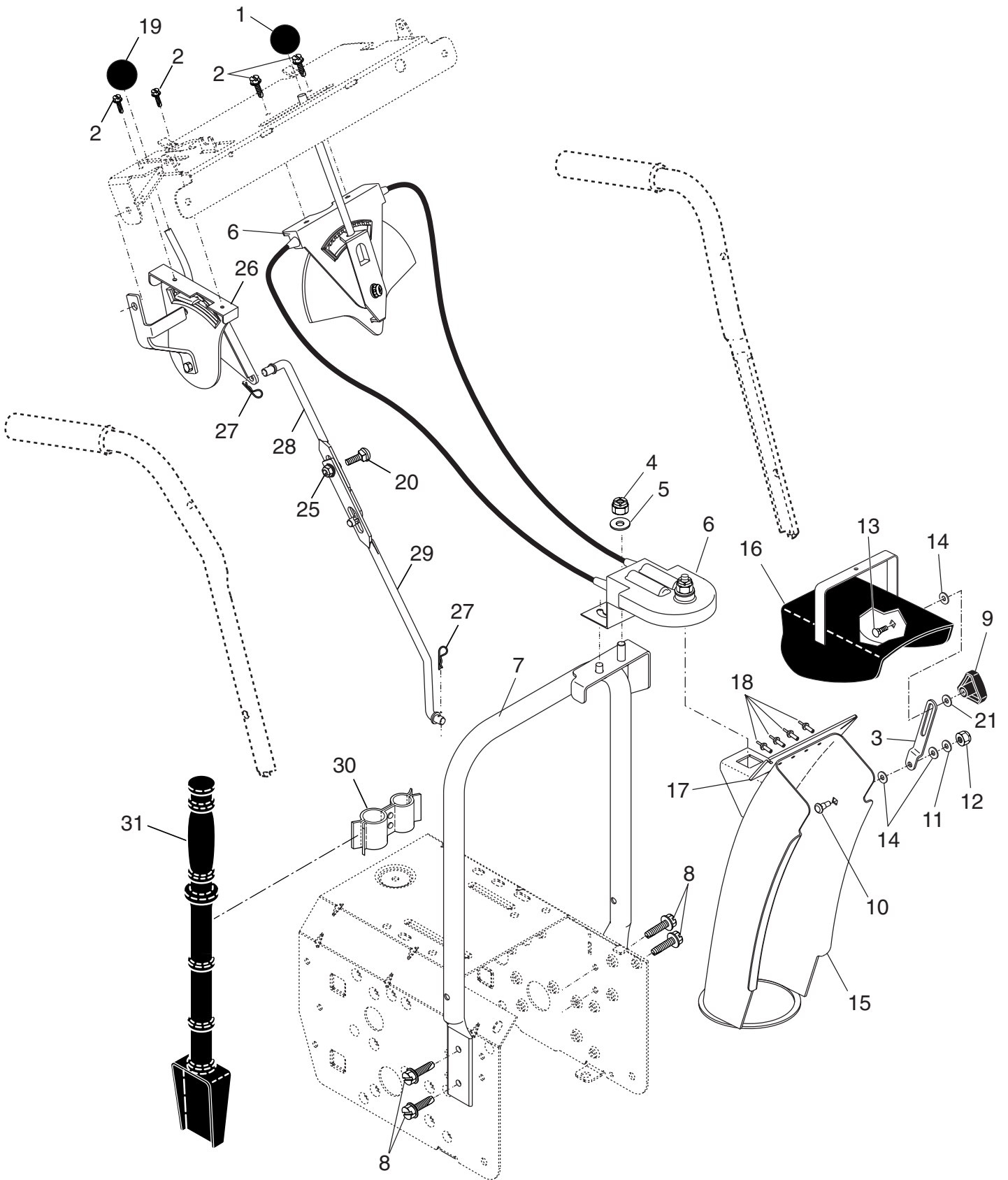
# REPAIR PARTS SNOW THROWER - - MODEL NO. PP5524ES (96192000200)

## AUGER HOUSING / IMPELLER ASSEMBLY

| KEY NO. | PART NO.   | DESCRIPTION   |
|---------|------------|---|
| 4       | 191079     | Pulley, Impeller                                      |
| 5       | 188909     | Bearing Assembly, Flange                              |
| 6       | 155377     | Nut, Hex Flange 5/16-18                               |
| 7       | 180355     | Bolt, Flat Head, Carriage 5/16-18 x 5/8               |
| 8       | 72270505   | Bolt, Carriage 5/16-18 x 5/8                          |
| 9       | 178820     | Nut, Cage 3/8-16                                      |
| 10      | 175309X428 | Housing, Auger  |
| 11      | 174838X479 | Bar, Scraper  |
| 12      | 178675X008 | Bracket, Corner Discharge                             |
| 13      | 175322     | Base, Discharge Chute                                 |
| 14      | 19111507   | Washer, Flat  |
| 15      | 10040500   | Washer, Lock 5/16                                     |
| 16      | 74950512   | Screw, Hex Head 5/16-18 x 3/4                         |
| 18      | 179582     | Screw, Hex Head 5/16 x 1                              |
| 19      | 73800400   | Nut, Hex Lock 1/4-20                                  |
| 20      | 73800500   | Nut, Hex Lock 5/16-18                                 |
| 21      | 155415     | Washer, Flat 5/16                                     |
| 22      | 178777X479 | Skid Plate, RH  |
| 23      | 179246     | Washer, Nylon, Friction                               |
| 24      | 72270506   | Bolt, Carriage 5/16-18 x 3/4                          |
| 25      | 185600     | Bolt, Shoulder 1/4-20                                 |
| 26      | 174658     | Bearing, Auger  |
| 27      | 174697     | Washer, Thrust, 1"                                    |
| 28      | 192090     | Bolt, Shear   |
| 29      | 174762X479 | Skid Plate, LH  |
| 30      | 198980X479 | Auger Assembly, RH                                    |
| 31      | 198979X479 | Auger Assembly, LH                                    |
| 32      | 174699     | O-Ring  |
| 33      | 174700     | Bushing, Flange 3/4                                   |
| 34      | 174681     | Washer, Thrust 3/4                                    |
| 35      | 174684     | Bearing, Thrust 3/4                                   |
| 36      | 174660     | Shaft, Impeller                                       |
| 37      | 174683     | Washer, Thrust 5/8                                    |
| 38      | 174686     | Bushing, Flange 5/8                                   |
| 39      | 150078     | Screw, Hex Head 5/16-18 x 3/4                         |
| 40      | 86447      | Plug, Case  |
| 41      | 174688     | Housing, Gearbox, RH                                  |
| 42      | 174698     | Seal, Oil   |
| 43      | 174701     | Bushing, Flange, 1"                                   |
| 44      | 189282     | Key, Square 1/4 x 1/4 x 7/8                           |
| 45      | 174659     | Gear, Worm  |
| 46      | 174657     | Shaft, Auger  |
| 47      | 174687     | Housing, Gearbox, LH                                  |
| 48      | 175321X479 | Impeller Assembly                                     |
| 49      | 74780426   | Screw, Hex Head 1/4-20 x 1-5/8                        |
| 50      | 175311     | Gasket, Gearbox                                       |
| 51      | 7836M      | Pin, Roll 3/16 x 1-1/8                                |
| 54      | 53847      | Washer, Flat 1/4                                      |
| 55      | 188243     | Kit, Shear (Contains 6 each of Key Numbers 19 and 28) |
| 56      | 180684     | Multi-Wrench  |

**NOTE:** All component dimensions given in U.S. inches. 1 inch = 25.4 mm  
**IMPORTANT:** Use only Original Equipment Manufacturer (O.E.M.) replacement parts.  
 Failure to do so could be hazardous, damage your lawn mower and void your warranty.

**REPAIR PARTS SNOW THROWER - - MODEL NO. PP5524ES (96192000200)**  
**CONTROL PANEL / DISCHARGE CHUTE**



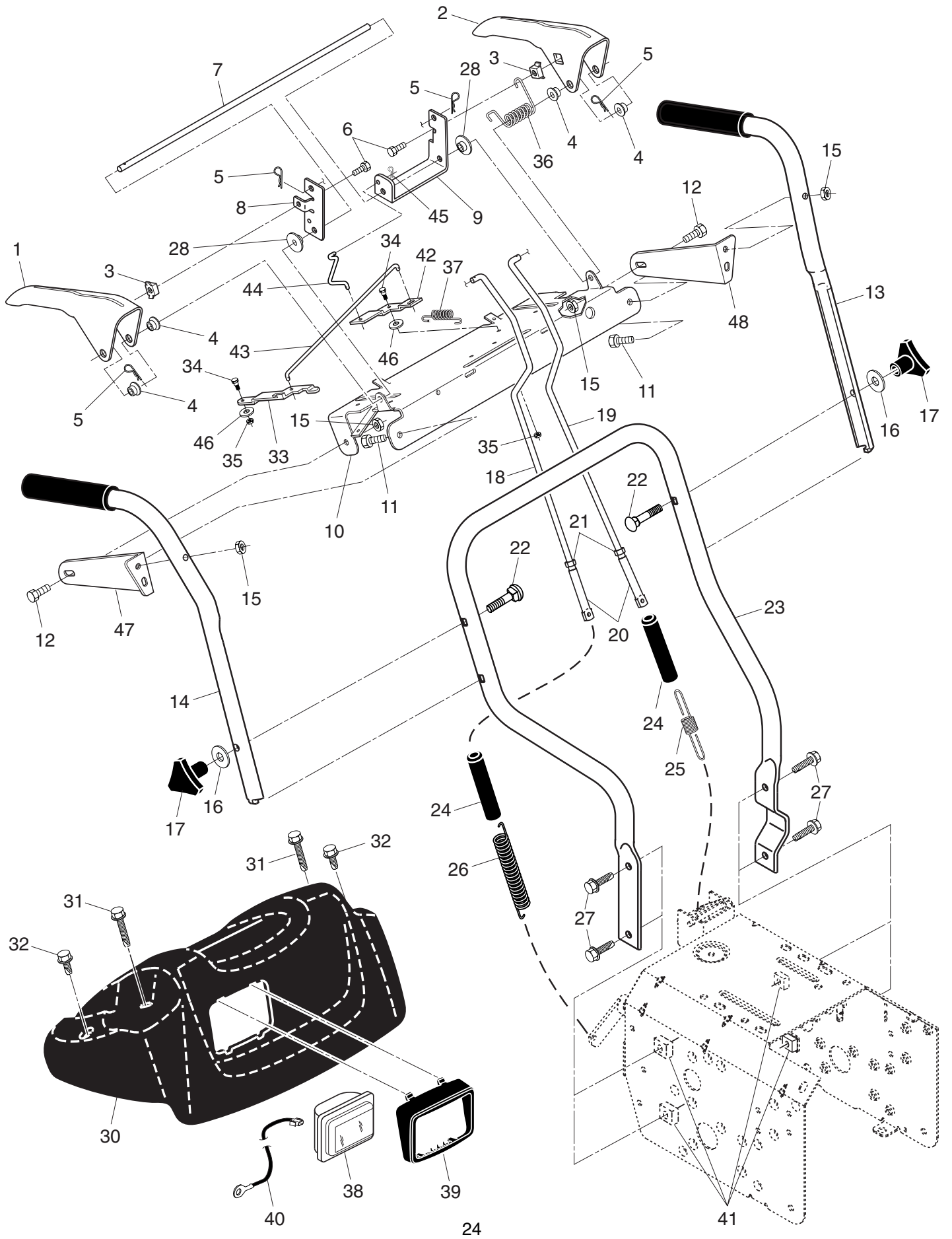
**REPAIR PARTS SNOW THROWER - - MODEL NO. PP5524ES (96192000200)**  
**CONTROL PANEL / DISCHARGE CHUTE**

| KEY NO. | PART NO.   | DESCRIPTION                     |
|---------|------------|---------------------------------|
| 1       | 183334     | Knob, Lever                     |
| 2       | 17501010   | Screw #10-24 x 5/8              |
| 3       | 179096X428 | Strap, Slotted                  |
| 4       | 73800600   | Nut, Lock 3/8-16                |
| 5       | 19131316   | Washer, Flat 3/8                |
| 6       | 178659     | Control Assembly, Chute Rotater |
| 7       | 178638X479 | Support, Pivot                  |
| 8       | 150078     | Screw, Hex Head 5/16-18 x 3/4   |
| 9       | 180453     | Knob, Deflector                 |
| 10      | 185600     | Bolt, Shoulder                  |
| 11      | 53847      | Washer, Flat 1/4                |
| 12      | 73800400   | Nut, Lock 1/4-20                |
| 13      | 72270505   | Bolt, Carriage 5/16-18 x 5/8    |
| 14      | 179246     | Washer, Nylon                   |
| 15      | 178628X428 | Chute Assembly                  |
| 16      | 178633X428 | Deflector Assembly              |
| 17      | 179145     | Seal, Deflector                 |
| 18      | 128415     | Rivet, Blind                    |
| 19      | 183333     | Knob, Speed Control Lever       |
| 20      | 72270506   | Bolt, Carriage 5/16-18 x 3/4    |
| 21      | 155415     | Washer, Flat                    |
| 25      | 155377     | Nut, Lock 5/16-18               |
| 26      | 198875     | Lever Assembly, Speed Control   |
| 27      | 169675     | Retainer, Hairpin               |
| 28      | 180445     | Rod, Upper, Speed Control       |
| 29      | 187716     | Rod, Lower, Speed Control       |
| 30      | 192710     | Clamp, Clean-Out Tool           |
| 31      | 192199     | Tool, Clean-Out                 |

**NOTE:** All component dimensions given in U.S. inches. 1 inch = 25.4 mm  
**IMPORTANT:** Use only Original Equipment Manufacturer (O.E.M.) replacement parts.  
 Failure to do so could be hazardous, damage your lawn mower and void your warranty.

# REPAIR PARTS SNOW THROWER - - MODEL NO. PP5524ES (96192000200)

## HANDLES



# REPAIR PARTS SNOW THROWER - - MODEL NO. PP5524ES (96192000200)

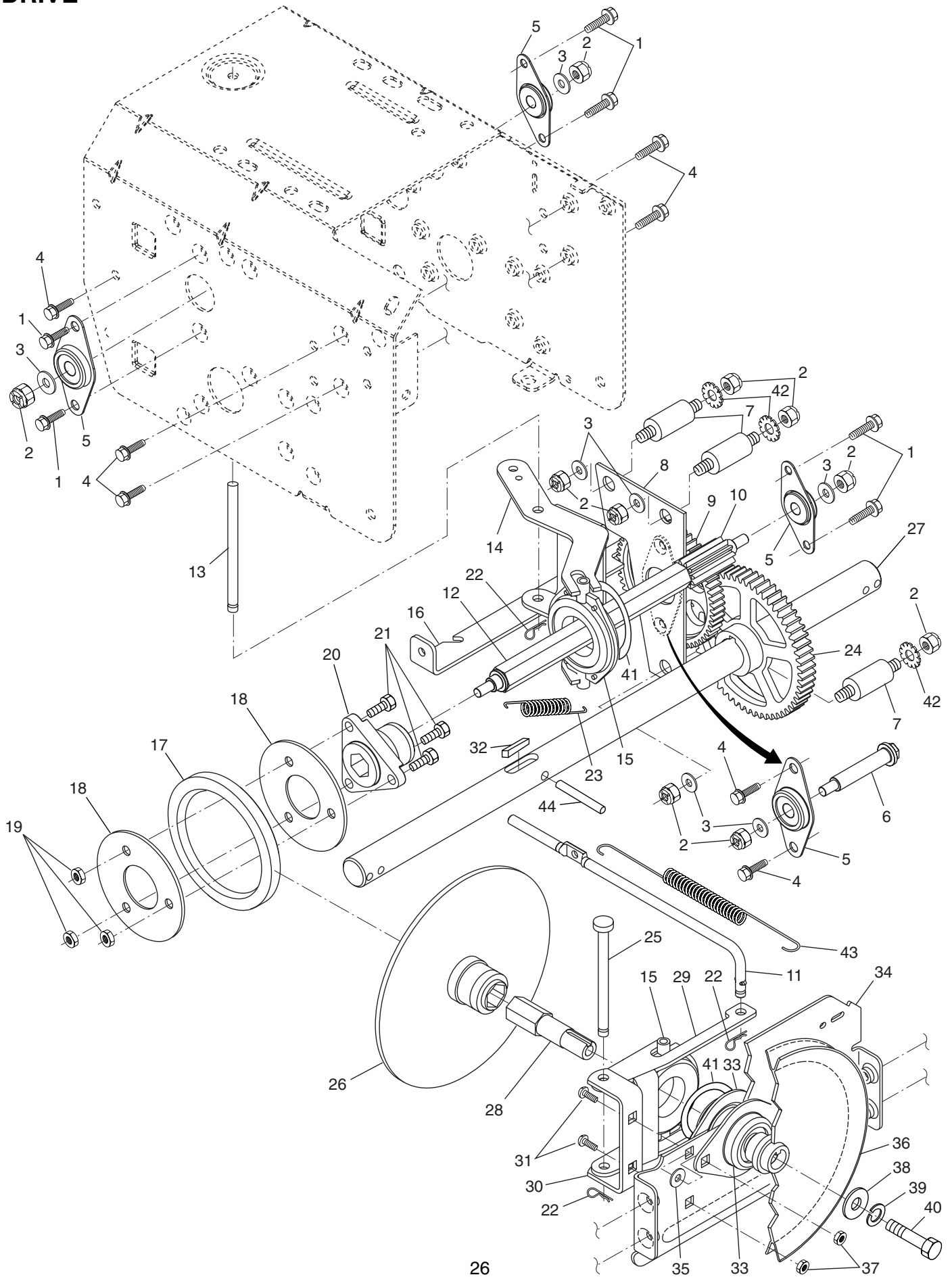
## HANDLES

| KEY NO. | PART NO.   | DESCRIPTION                             |
|---------|------------|---|
| 1       | 178875X479 | Lever, Auger Control, RH                |
| 2       | 178648X479 | Lever, Traction Drive Control, LH       |
| 3       | 179439     | Nut, Cage 1/4-20                        |
| 4       | 178888     | Bushing, Flange                         |
| 5       | 169675     | Retainer, Hairpin                       |
| 6       | 180402     | Screw, Hex Head 1/4-20 x 3/4            |
| 7       | 178652     | Rod, Interlock                          |
| 8       | 196333X008 | Arm, Impeller Rod                       |
| 9       | 196334X008 | Arm, Traction Rod                       |
| 10      | 196619X479 | Panel, Control                          |
| 11      | 74780524   | Screw, Hex Head 5/16-18 x 1-1/2         |
| 12      | 74780512   | Screw, Hex Head 5/16-18                 |
| 13      | 196771X479 | Handle Assembly, LH (Includes Grip)     |
| 14      | 196770X479 | Handle Assembly, RH (Includes Grip)     |
| 15      | 73800500   | Nut, Lock 5/16-18                       |
| 16      | 19131316   | Washer, Flat 3/8                        |
| 17      | 178899     | Knob, Handle                            |
| 18      | 184594     | Rod, Auger Control                      |
| 19      | 193081     | Rod, Traction Control                   |
| 20      | 180428     | End, Control Rod                        |
| 21      | 73350500   | Nut, Hex, Jam 5/16-18                   |
| 22      | 72120618   | Bolt, Carriage 3/8-16 x 2-1/4           |
| 23      | 178643X479 | Handle Tube, Lower                      |
| 24      | 180447     | Sleeve, Spring                          |
| 25      | 180926     | Spring, Traction Drive                  |
| 26      | 178669     | Spring, Auger Control                   |
| 27      | 71210616   | Screw, Hex Head 3/8-16 x 1              |
| 28      | 175331     | Bushing, Pivot                          |
| 30      | 183346     | Console, Panel                          |
| 31      | 175262     | Screw, Hex Head, Tapping #10-24 x 1-1/4 |
| 32      | 184471     | Screw, Hex Head, Tapping #10-24 x 1/2   |
| 33      | 196335X008 | Latch, Interlock                        |
| 34      | 183518     | Bolt, Shoulder                          |
| 35      | 68038      | Nut, Lock 1/4-20                        |
| 36      | 178831     | Spring, Torsion                         |
| 37      | 193885     | Spring, Interlock                       |
| 38      | 180927     | Headlight, Flood                        |
| 39      | 178668     | Bezel, Headlight                        |
| 40      | 178770     | Harness, Headlight (Flood)              |
| 41      | 178890     | Nut, Cage 3/8-16                        |
| 42      | 196336X008 | Lever, Interlock                        |
| 43      | 196337     | Rod, Latch, Interlock                   |
| 44      | 196338     | Rod, Arm, Interlock                     |
| 45      | 700329     | Clip                                    |
| 46      | 179246     | Washer, Friction                        |
| 47      | 196944     | Mounting Bracket, Control Panel, RH     |
| 48      | 196943     | Mounting Bracket, Control Panel, LH     |

**NOTE:** All component dimensions given in U.S. inches. 1 inch = 25.4 mm  
**IMPORTANT:** Use only Original Equipment Manufacturer (O.E.M.) replacement parts.  
 Failure to do so could be hazardous, damage your lawn mower and void your warranty.

# REPAIR PARTS SNOW THROWER - - MODEL NO. PP5524ES (96192000200)

## DRIVE



# REPAIR PARTS SNOW THROWER - - MODEL NO. PP5524ES (96192000200) DRIVE

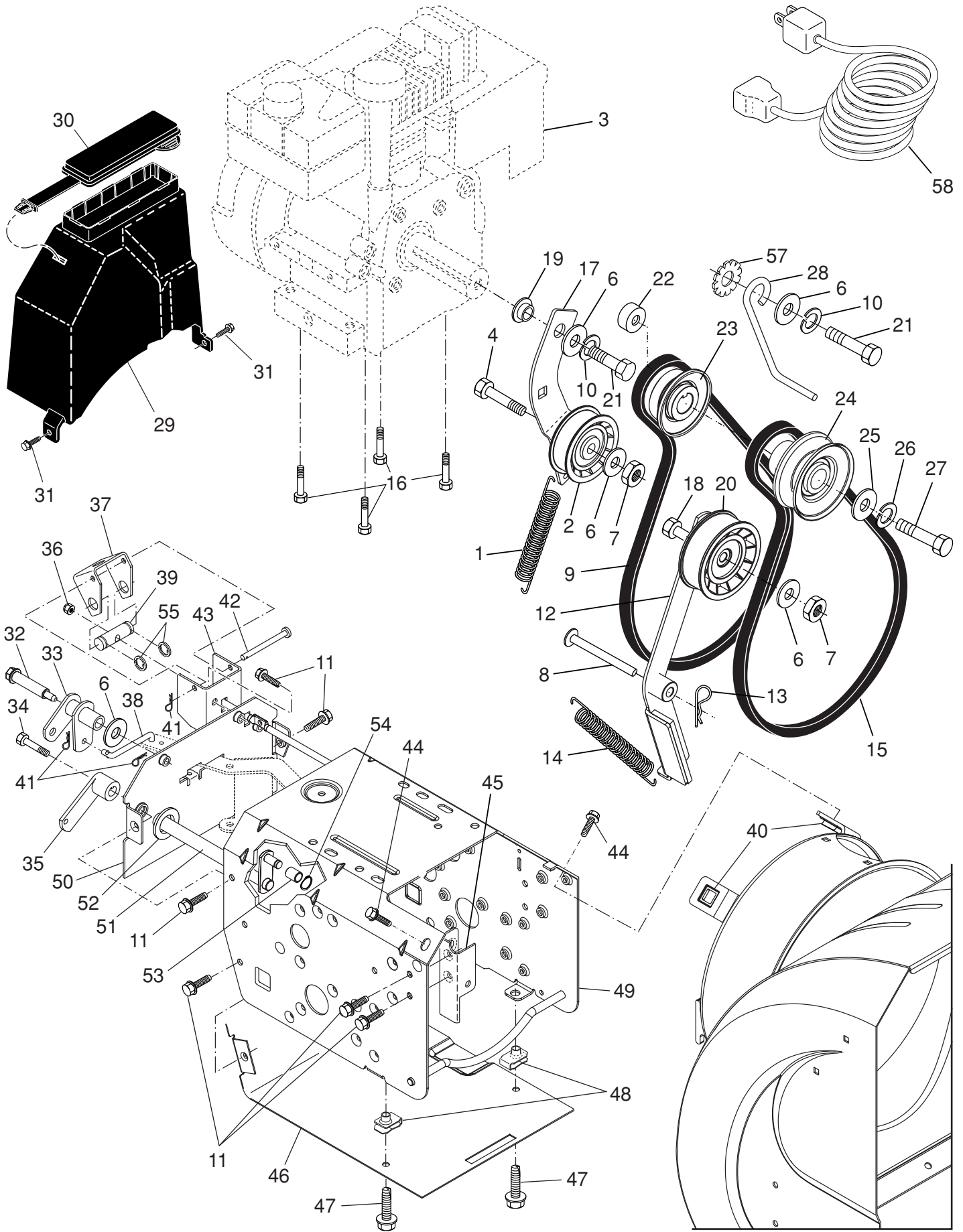
| KEY NO. | PART NO.   | DESCRIPTION                       |
|---------|------------|-----------------------------------|
| 1       | 146315     | Screw, Hex Head 5/16-18 x 3/4     |
| 2       | 73800500   | Nut, Lock 5/16-18                 |
| 3       | 155415     | Washer, Flat                      |
| 4       | 17490508   | Screw, Hex Head 5/16-18 x 1/2     |
| 5       | 180017     | Bearing, Flange                   |
| 6       | 180134     | Shaft, Auxiliary                  |
| 7       | 179270     | Spacer, Plate                     |
| 8       | 192616X479 | Plate, Auxiliary                  |
| 9       | 180082     | Gear, Intermediate (12/58)        |
| 10      | 180065     | Gear, Pinion                      |
| 11      | 187714     | Rod, Clutch                       |
| 12      | 180066     | Shaft, Long, Hex                  |
| 13      | 178807     | Pin, Pivot                        |
| 14      | 178619X479 | Lever, Shifter / Wheel            |
| 15      | 175344     | Trunnion Bearing Assembly         |
| 16      | 186951X479 | Bracket, Pivot, Shift             |
| 17      | 179831     | Ring, Rubber Wheel                |
| 18      | 198176X479 | Plate, Rubber Wheel               |
| 19      | 73930500   | Nut, Lock 5/16-18                 |
| 20      | 178613     | Hub, Rubber Wheel                 |
| 21      | 74760514   | Screw, Hex Head 5/16-18 x 7/8     |
| 22      | 85179      | Retainer, Hairpin                 |
| 23      | 180135     | Spring, Bias                      |
| 24      | 180081     | Gear, Axle (58 Teeth)             |
| 25      | 178695     | Pin, Pivot Lever                  |
| 26      | 197763     | Plate Assembly, Drive             |
| 27      | 179352     | Shaft, Axle                       |
| 28      | 197764     | Shaft, Short Hex                  |
| 29      | 175350X479 | Lever, Shifter Plate              |
| 30      | 175349X479 | Bracket, Shifter Support          |
| 31      | 72270505   | Bolt, Carriage 5/16-18 x 5/8      |
| 32      | 189282     | Key, Square                       |
| 33      | 188909     | Bearing, Flange                   |
| 34      | 175338X479 | Plate, Drive Mounting             |
| 35      | 182504     | Spacer, Bearing                   |
| 36      | 191080     | Pulley, Traction Drive            |
| 37      | 155377     | Nut, Lock 5/16-18                 |
| 38      | 19111507   | Washer, Flat                      |
| 39      | 10040500   | Washer, Lock 5/16                 |
| 40      | 74950512   | Screw, Hex Head 5/16-18 x 3/4     |
| 41      | 12000012   | Ring, Retaining                   |
| 42      | 11050500   | Washer, Lock, External Tooth 5/16 |
| 43      | 179095     | Spring, Return                    |
| 44      | 9465M      | Pin, Roll                         |

**NOTE:** All component dimensions given in U.S. inches. 1 inch = 25.4 mm  
**IMPORTANT:** Use only Original Equipment Manufacturer (O.E.M.) replacement parts.  
 Failure to do so could be hazardous, damage your lawn mower and void your warranty.



# REPAIR PARTS SNOW THROWER - - MODEL NO. PP5524ES (96192000200)

## CHASSIS / ENGINE / PULLEYS



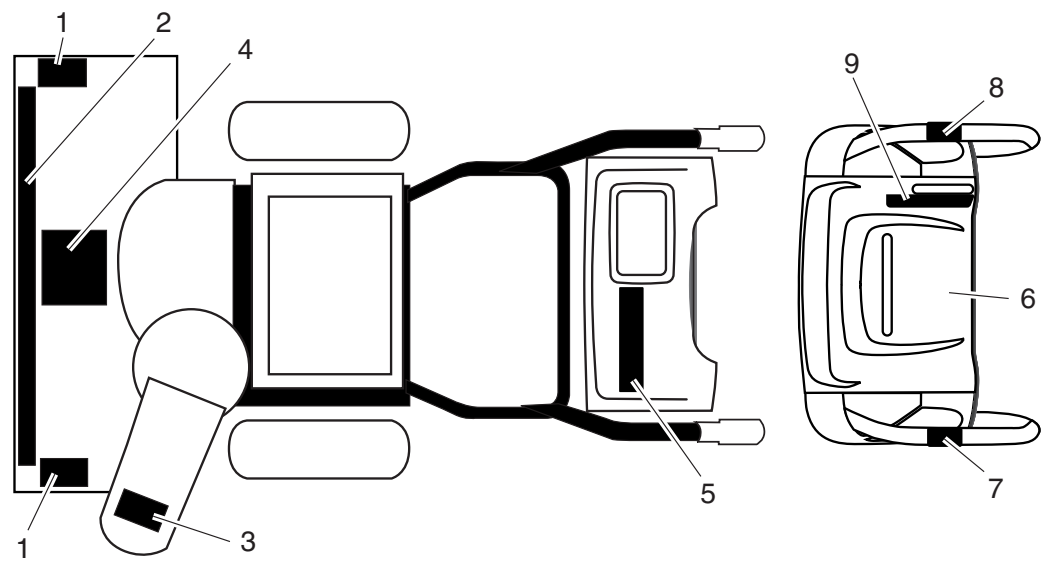
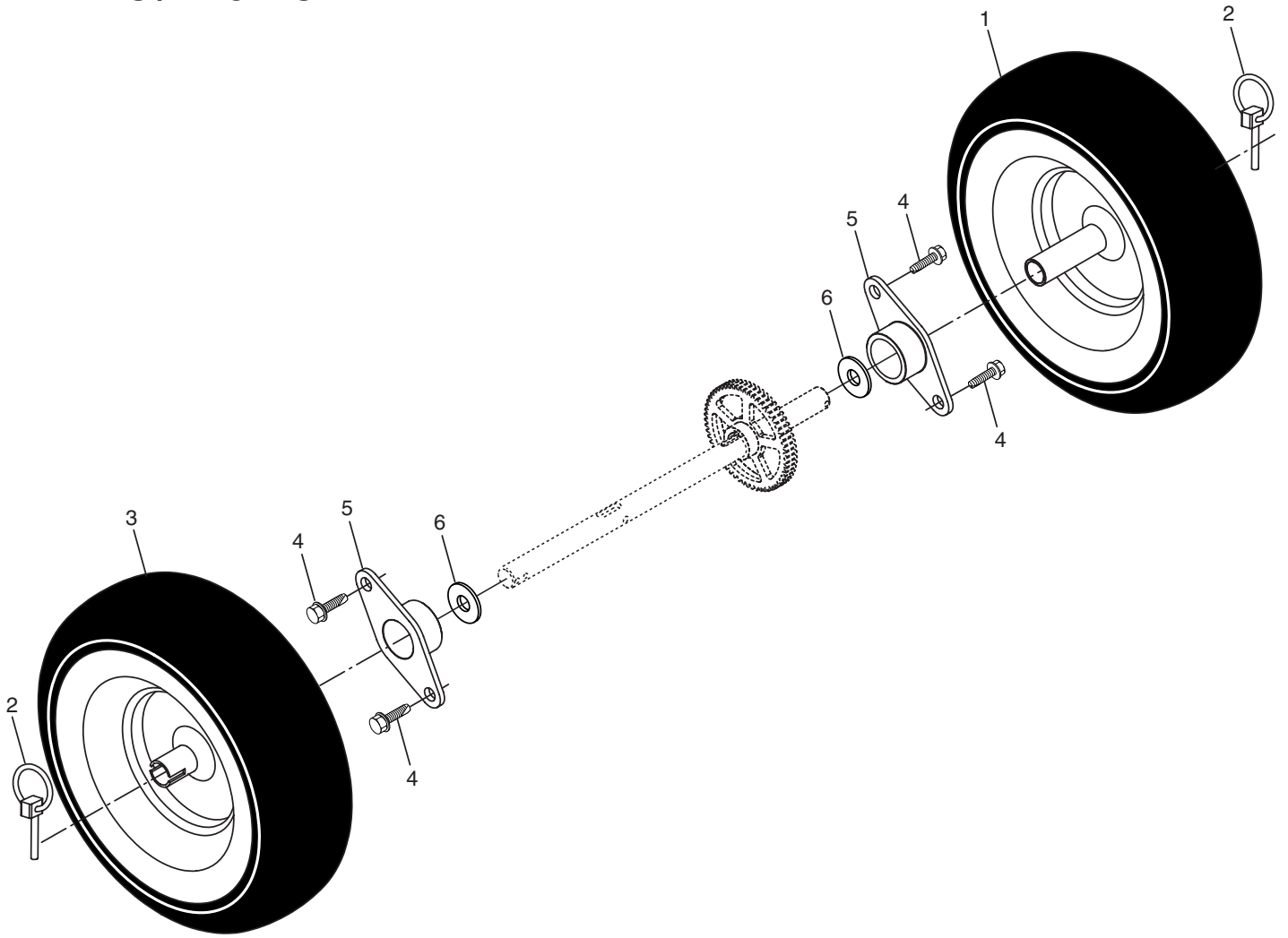
# REPAIR PARTS SNOW THROWER - - MODEL NO. PP5524ES (96192000200)

## CHASSIS / ENGINE / PULLEYS

| KEY NO. | PART NO.   | DESCRIPTION  | KEY NO. | PART NO.   | DESCRIPTION                                     |
|---------|------------|--|---------|------------|---|
| 1       | 181044     | Spring, Traction Idler   | 28      | 155452     | Guide, Belt                                     |
| 2       | 180522     | Pulley, Idler (2-1/4)  | 29      | 192213     | Belt Cover Assembly<br>(Includes Toolbox Cover) |
| 3       | ---        | Engine, Tecumseh, Model Number<br>LH195SP (For engine service and<br>replacement parts, call Tecumseh<br>Products at 1-800-558-5402) | 30      | 178830     | Cover, Toolbox                                  |
| 4       | 74780520   | Screw, Hex Head 5/16-18 x 1-1/4  | 31      | 17490408   | Screw, Hex Head 1/4-20 x 1/2                    |
| 6       | 59289      | Washer, Flat   | 32      | 179256     | Bolt, Shoulder 5/16-18                          |
| 7       | 73930500   | Nut, Jam, Lock 5/16-18   | 33      | 187853     | Bellcrank Shifter                               |
| 8       | 175330     | Pin, Idler Pivot   | 34      | 180401     | Screw, Hex Head 1/4-28 x 3/4                    |
| 9       | 179092     | V-Belt, Traction Drive   | 35      | 195767     | Arm, Auger Control                              |
| 10      | 10040500   | Washer, Lock 5/16  | 36      | 73800500   | Nut, Lock 5/16-18                               |
| 11      | 17490508   | Screw, Hex Washer Head<br>5/16-18 x 1/2  | 37      | 178833X428 | Bellcrank                                       |
| 12      | 179259     | Impeller Arm / Pad Assembly  | 38      | 187101     | Link, Speed Control                             |
| 13      | 85179      | Retainer, Hairpin  | 39      | 192110     | Trunnion, Clutch                                |
| 14      | 178828     | Spring, Brake  | 40      | 178820     | Nut, Cage 3/8-16                                |
| 15      | 183533     | V-Belt, Impeller Drive   | 41      | 700279     | Hairpin, Cotter 3/32 x 1/2                      |
| 16      | 192306     | Screw, Hex Head 3/8-16 x 1-1/4   | 42      | 179065     | Pin, Bellcrank                                  |
| 17      | 179354X008 | Arm, Idler   | 43      | 179063X428 | Bracket, Bellcrank                              |
| 18      | 74780524   | Screw, Hex Head 5/16-18 x 1-1/2  | 44      | 71210616   | Screw, Hex Head                                 |
| 19      | 175331     | Bushing, Idler Pivot   | 45      | 175324X428 | Pivot Bracket, Impeller Idler Arm               |
| 20      | 180523     | Pulley, Idler (2-3/4)  | 46      | 178624X428 | Pan, Frame Bottom                               |
| 21      | 74610516   | Screw, Hex Head 5/16-24 x 1  | 47      | 71020512   | Screw, Hex Head 5/16-18 x 3/4                   |
| 22      | 179371     | Spacer, Engine Pulley  | 48      | 181156     | Nut, Speed 5/16-18                              |
| 23      | 180478     | Pulley, Engine, Traction Drive   | 49      | 183852X428 | Frame Assembly                                  |
| 24      | 179157     | Pulley, Engine, Impeller Drive   | 50      | 187715X428 | Plate, Frame End                                |
| 25      | 62735      | Washer, Flat 3/8   | 51      | 193364X008 | Shaft, Auger Control                            |
| 26      | 850263     | Washer, Lock 3/8   | 52      | 57079      | Washer, Hardened                                |
| 27      | 851084     | Screw, Hex Head 3/8-24 x 1-3/8   | 53      | 192275     | Roller  |
|         |            |  | 54      | 192147     | Ring, Crescent                                  |
|         |            |  | 55      | 12000002   | E-Ring  |
|         |            |  | 57      | 11050500   | Washer, Lock, External Tooth                    |
|         |            |  | 58      | 183854     | Power Cord                                      |

**NOTE:** All component dimensions given in U.S. inches. 1 inch = 25.4 mm  
**IMPORTANT:** Use only Original Equipment Manufacturer (O.E.M.) replacement parts.  
 Failure to do so could be hazardous, damage your lawn mower and void your warranty.

**REPAIR PARTS SNOW THROWER - - MODEL NO. PP5524ES (96192000200)**  
**WHEELS / DECALS**



**REPAIR PARTS SNOW THROWER - - MODEL NO. PP5524ES (96192000200)**  
**WHEELS / DECALS**

| KEY NO. | PART NO. | DESCRIPTION                   |
|---------|----------|-------------------------------|
| 1       | 187873   | Wheel Assembly, 13", LH       |
| 2       | 155443   | Pin, Klik 1/4                 |
| 3       | 187875   | Wheel Assembly, 13", RH       |
| 4       | 146315   | Screw, Hex Head 5/16-18 x 3/4 |
| 5       | 179830   | Bearing, Axle                 |
| 6       | 174697   | Washer, Thrust (1")           |

| KEY NO. | PART NO. | DESCRIPTION                     |
|---------|----------|---------------------------------|
| 1       | 181037   | Decal, Danger                   |
| 2       | 187899   | Decal, Poulan Pro, 5.5 HP / 24" |
| 3       | 181035   | Decal, Danger, Deflector        |
| 4       | 181042   | Decal, Danger                   |
| 5       | 187898   | Decal, Poulan Pro               |
| 6       | 181033   | Decal, Instruction              |
| 7       | 155798   | Decal, Traction Lever           |
| 8       | 155800   | Decal, Auger Lever              |
| 9       | 181039   | Decal, Speed Control            |
| --      | 199340   | Owner's Manual, English         |
| --      | 199341   | Owner's Manual, French          |

**NOTE:** All component dimensions given in U.S. inches. 1 inch = 25.4 mm  
**IMPORTANT:** Use only Original Equipment Manufacturer (O.E.M.) replacement parts.  
 Failure to do so could be hazardous, damage your lawn mower and void your warranty.