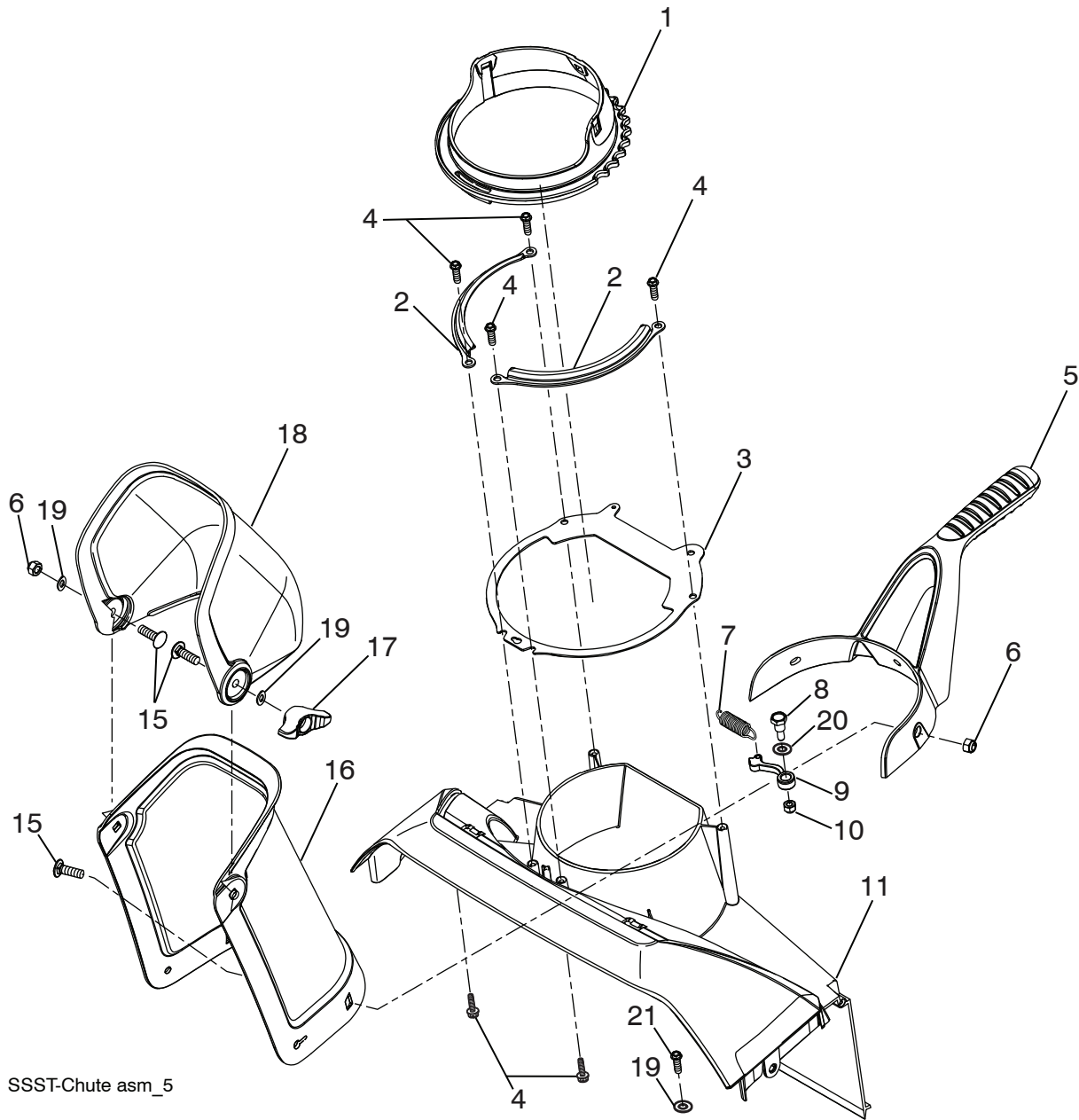


# REPAIR PARTS SNOW THROWER - - MODEL NUMBER PP521ES (96188000600)

## CHUTE ASSEMBLY



SSST-Chute asm\_5

**NOTE:** All component dimensions given in U.S. inches. 1 inch = 25.4 mm  
**IMPORTANT:** Use only Original Equipment Manufacturer (O.E.M.) replacement parts.  
Failure to do so could be hazardous, damage your snow thrower and void your warranty.

# REPAIR PARTS SNOW THROWER - - MODEL NUMBER PP521ES (96188000600)

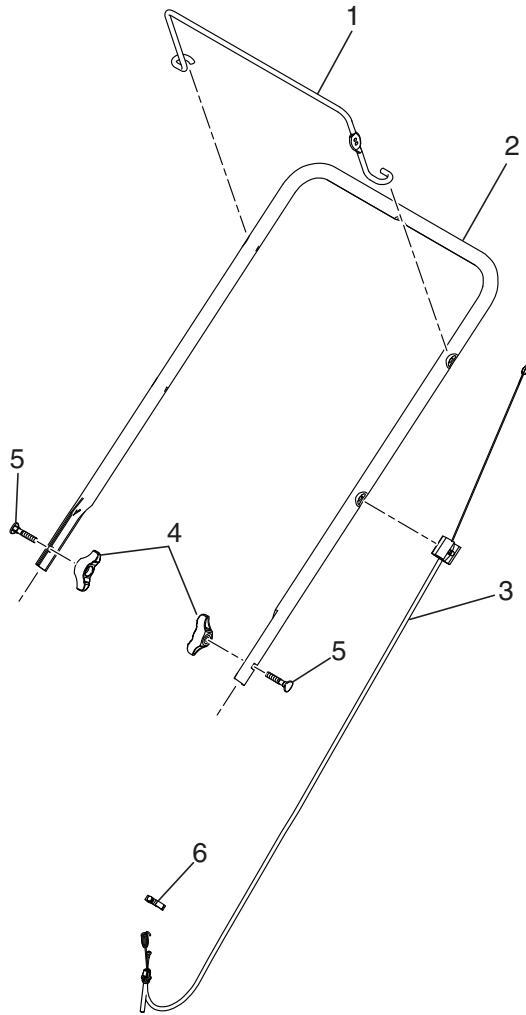
## CHUTE ASSEMBLY

KEY NO.	PART NO.	QTY	DESCRIPTION
1	532 43 48-77	1	CHUTE.RATCHETING.PLASTIC.W/GRV
2	532 43 76-40	2	PLATE.CHUTE.RETAINER
3	532 43 76-35	1	PLATE.CHUTE.BASE
4	817 41 13-12	6	BOLT.HEX.WSH.HD.13-16 X 3/4
5	532 43 76-42	1	HANDLE.CHUTE.MS428
6	873 97 05-00	4	NUT.LOCK.HX.W/INS 5/16-18 UNC PL
7	532 43 48-79	1	SPRING.RATCHET.ARM
8	532 08 13-28	1	BOLT.SHOULDER.1/4-20 UNC X .94
9	532 43 48-78	1	ARM.CHUTE.RATCHET
10	532 13 20-04	1	HEX.NUT.1/4-20 NYLON LOCKING
11	532 44 39-21	1	PLENUM
15	532 43 73-18	5	CARRIAGE.BOLT
16	532 43 76-55	1	CHUTE
17	532 19 19-38	2	HANDLE.KNOB
18	532 43 76-43	1	DEFLECTOR.CHUTE
19	819 13 13-16	3	WASHER
20	819 13 24-16	1	WASHER.RATCHET.PAWL
21	532 42 88-67	1	BOLT

**NOTE:** All component dimensions given in U.S. inches. 1 inch = 25.4 mm  
**IMPORTANT:** Use only Original Equipment Manufacturer (O.E.M.) replacement parts.  
 Failure to do so could be hazardous, damage your snow thrower and void your warranty.

# REPAIR PARTS SNOW THROWER - - MODEL NUMBER PP521ES (96188000600)

## HANDLE ASSEMBLY



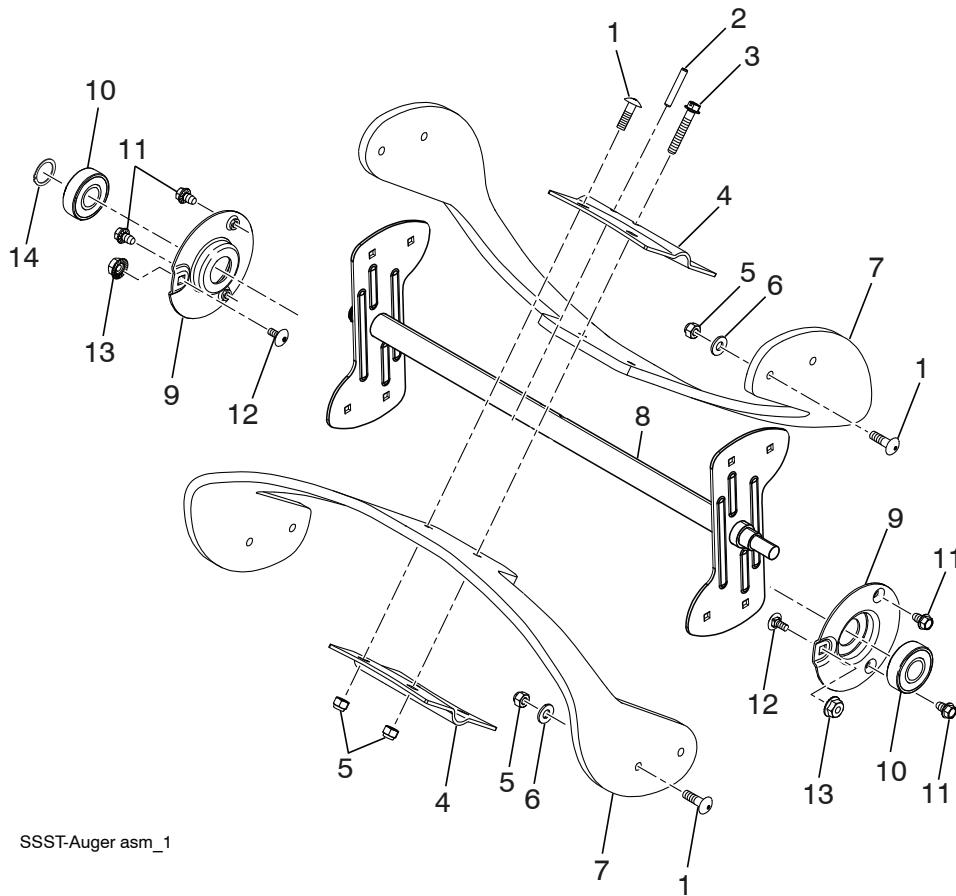
SSST-Handle asm\_1

KEY NO.	PART NO.	QTY	DESCRIPTION
1	532 44 46-88	1	BAIL.HANDLE.PAINT.MS431
2	532 44 46-48	1	HANDLE.PNT.UPPER.SSST
3	532 43 48-06	1	CLUTCH.CABLE
4	532 19 19-38	2	KNOB.HANDLE.BLACK
5	532 19 15-74	2	BOLT.HANDLE.BLACK PATCHED
6	532 14 50-06	1	CLIP.PUSH-IN.HINGED

**NOTE:** All component dimensions given in U.S. inches. 1 inch = 25.4 mm  
**IMPORTANT:** Use only Original Equipment Manufacturer (O.E.M.) replacement parts.  
 Failure to do so could be hazardous, damage your snow thrower and void your warranty.

# REPAIR PARTS SNOW THROWER - - MODEL NUMBER PP521ES (9618800600)

## AUGER ASSEMBLY



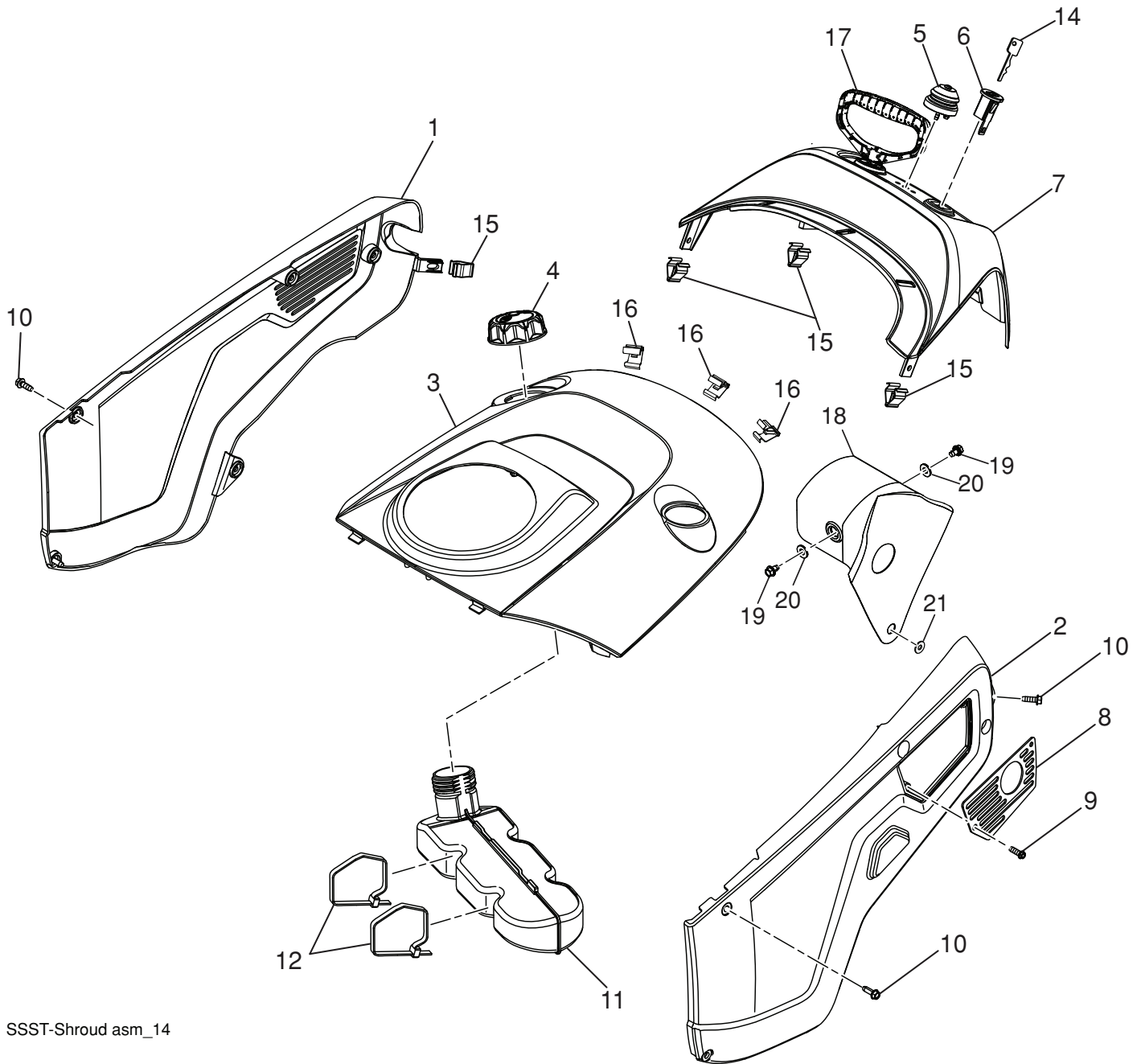
SSST-Auger asm\_1

KEY NO.	PART NO.	QTY	DESCRIPTION
1	872 11 04-07	12	BOLT.CARRIAGE
2	532 43 76-20	1	PIN.ROLL.3/16 X 1-1/4
3	532 19 96-87	1	BOLT.1/4-20.1.50"
4	532 43 76-18	2	PLATE.CENTER.BLADE
5	532 13 20-04	13	HEX.NUT.1/4-20 NYLON LOCKING
6	819 09 10-16	8	WASHER 9/32 X 5/8 X 16 GA.
7	532 44 27-59	2	BLADE.AUGER
8	532 43 76-17	1	WELDMENT.AUGER.ASM
9	532 43 76-21	2	SUPPORT.BEARING.SSST.PNT
10	532 43 76-22	2	BEARING.BALL.MANDREL
11	817 60 04-06	4	SCREW.HEX.WASHEAD.1/4-20 X 3/8
12	872 11 04-04	2	BOLT.CARR.SS.1/4-20 UNC X 1/2.GR5
13	532 43 81-30	2	WHIZ.LOCK.NUTS.BEARING CAPS
14	812 00 00-28	1	RETAINING.CLIP

**NOTE:** All component dimensions given in U.S. inches. 1 inch = 25.4 mm  
**IMPORTANT:** Use only Original Equipment Manufacturer (O.E.M.) replacement parts. Failure to do so could be hazardous, damage your snow thrower and void your warranty.

# REPAIR PARTS SNOW THROWER -- MODEL NUMBER PP521ES (96188000600)

## SHROUD ASSEMBLY



SSST-Shroud asm\_14

**NOTE:** All component dimensions given in U.S. inches. 1 inch = 25.4 mm  
**IMPORTANT:** Use only Original Equipment Manufacturer (O.E.M.) replacement parts.  
 Failure to do so could be hazardous, damage your snow thrower and void your warranty.

# REPAIR PARTS SNOW THROWER - - MODEL NUMBER PP521ES (96188000600)

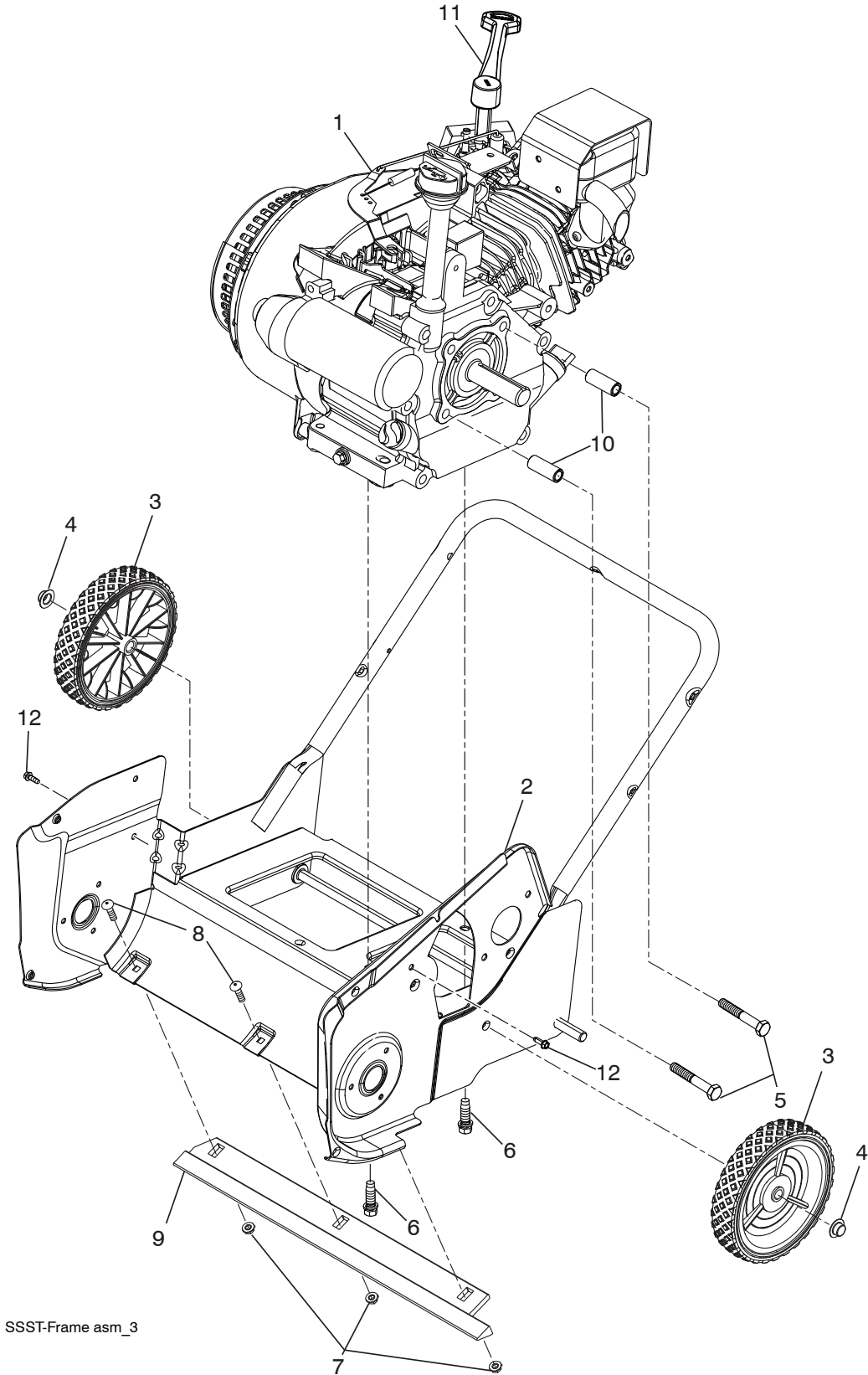
## SHROUD ASSEMBLY

KEY NO.	PART NO.	QTY	DESCRIPTION
1	532 44 39-24	1	COVER.NON-DRIVE.SIDE.MS428
2	532 44 39-25	1	COVER.DRIVE.SIDE.MS428
3	532 44 39-26	1	TOP.COVER
4	532 43 02-20	1	CAP.ASM.FUEL.2.25"FR.N/CB.E10
5	532 43 62-35	1	BULB.PRIMER
6	532 43 54-07	1	KEY HOUSING
7	532 43 76-48	1	TOP.REAR.COVER
8	532 43 76-31	1	PLATE.EXHAUST.PNT.
9	817 41 13-12	2	SCREW
10	532 44 22-50	12	SCREW.PAN.HD.1/4-20 X .750
11	532 43 48-80	1	TANK.FUEL.ASM.
12	532 14 68-48	2	TIE.CABLE.24.5X.29.NYLON.WHITE
14	532 43 54-09	2	KEY
15	532 19 66-88	4	THREADED.CLIP
16	532 43 48-68	3	CLIP.TRIM
17	532 43 62-76	1	HDL.STARTER
18	532 43 76-19	1	COVER.MUFFLER.LCT.136
19	532 43 80-39	2	BOLT.M6X1X16MM
20	819 09 10-16	2	WASHER
21	819 13 13-16	1	WASHER

**NOTE:** All component dimensions given in U.S. inches. 1 inch = 25.4 mm  
**IMPORTANT:** Use only Original Equipment Manufacturer (O.E.M.) replacement parts.  
 Failure to do so could be hazardous, damage your snow thrower and void your warranty.

# REPAIR PARTS SNOW THROWER - - MODEL NUMBER PP521ES (96188000600)

## FRAME ASSEMBLY



SSST-Frame asm\_3

**NOTE:** All component dimensions given in U.S. inches. 1 inch = 25.4 mm  
**IMPORTANT:** Use only Original Equipment Manufacturer (O.E.M.) replacement parts. Failure to do so could be hazardous, damage your snow thrower and void your warranty.

# REPAIR PARTS SNOW THROWER - - MODEL NUMBER PP521ES (96188000600)

## FRAME ASSEMBLY

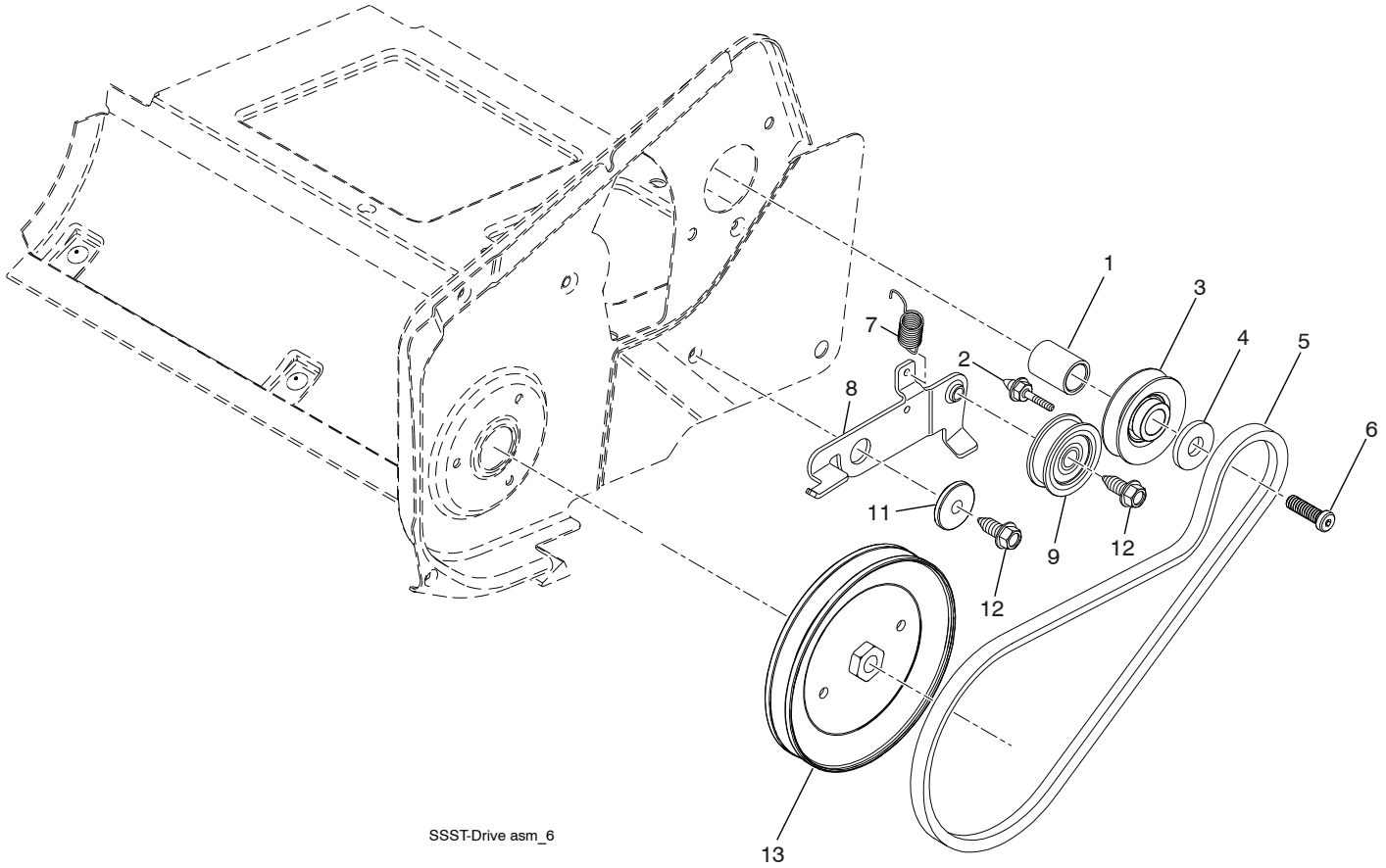
KEY NO.	PART NO.	QTY	DESCRIPTION
1	532 43 59-45	1	LCT.ENGINE.136CC.MAN
2	532 44 46-39	1	FRAME.WELDMENT
3	532 43 82-94	2	WHEEL.7X1.5.DMD.GS.3SPK.MS428
4	532 43 54-17	2	NUT.PUSH.AXLE.0.5IN
5	532 43 55-78	2	SCREW. 5/16-24 X 2.00"HHCS
6	532 15 04-06	2	BOLT.ENG. 3/8-16 X 1.280
7	532 19 17-30	3	NUT.HEX.FLANGE.1/4-20.CTR.LOCK
8	872 11 04-07	3	BOLT.CARRIAGE
9	532 44 29-42	1	BAR.SCRAPER
10	532 43 48-57	2	SPACER.ENGINE
11	532 43 48-74	1	LEVER.CHOKE
12	817 41 13-12	2	BOLT

**NOTE:** All component dimensions given in U.S. inches. 1 inch = 25.4 mm  
**IMPORTANT:** Use only Original Equipment Manufacturer (O.E.M.) replacement parts.  
 Failure to do so could be hazardous, damage your snow thrower and void your warranty.



# REPAIR PARTS SNOW THROWER - - MODEL NUMBER PP521ES (96188000600)

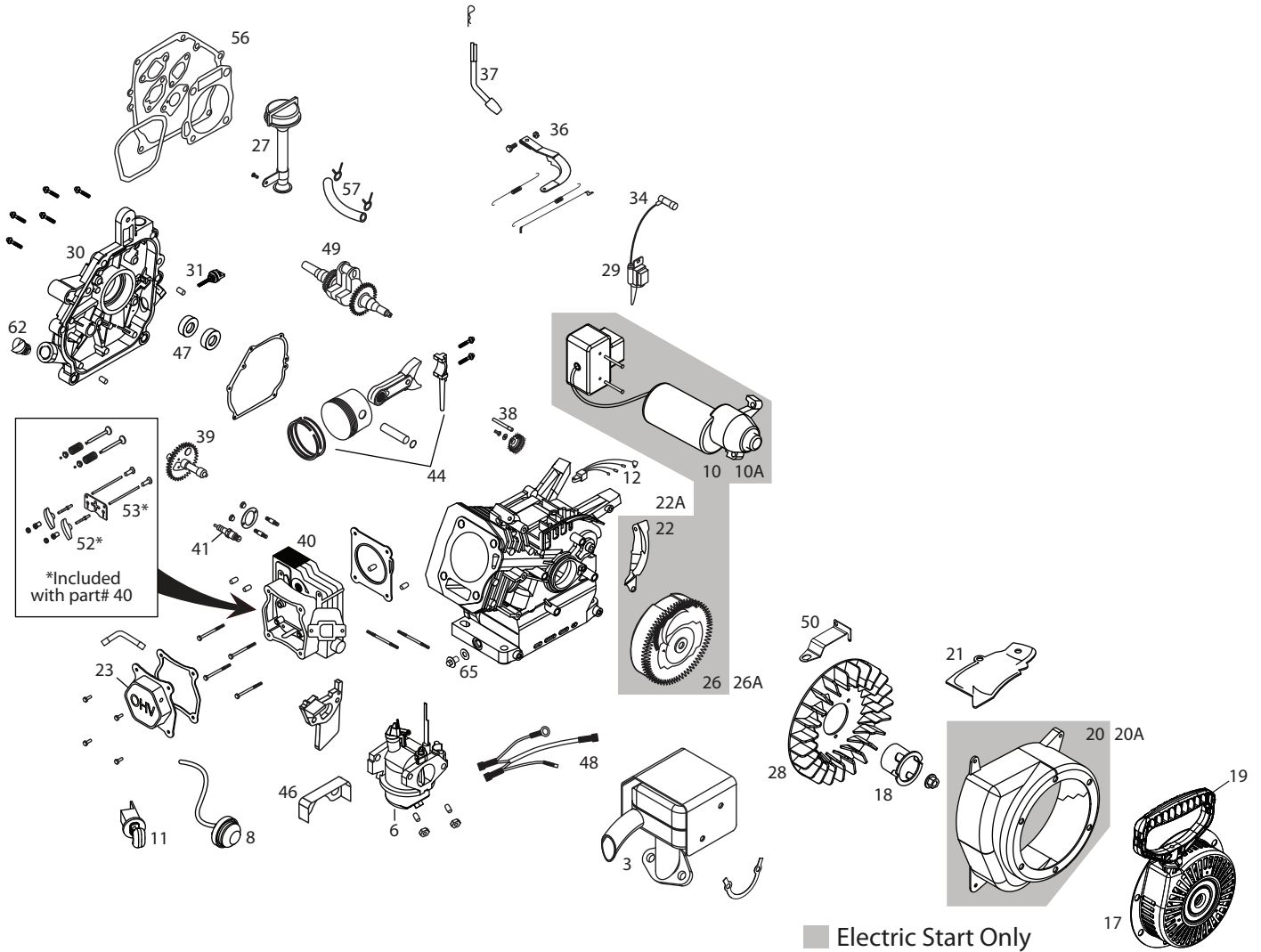
## DRIVE ASSEMBLY



KEY NO.	PART NO.	QTY	DESCRIPTION
1	532 43 48-60	1	SPACER.ENGINE.CRANK
2	532 43 45-02	1	KEEPER.ENGINE.BELT
3	532 42 64-90	1	PULLEY.ENG.TRACTION.3/4
4	532 85 10-74	1	WASHER.HARDEN
5	532 43 72-61	1	BELT-V.TRACTION
6	532 43 08-17	1	SCREW.CAPSCHD.3/8-24 X 1.25
7	532 43 48-59	1	SPRING.IDLER.PULLEY.RETURN
8	532 43 76-09	1	ARM.IDLER.PNT.MS431
9	532 16 60-43	1	PULLEY.IDLER.BACKSIDE
11	532 19 90-92	1	SPACER.RETAINER
12	817 06 06-20	2	SCREW.3/8-16 X 1.SMGML.TAP/R
13	532 43 53-83	1	PULLEY.DRIVEN
--	532 44 36-08	1	OWNER'S.MANUAL.ENGLISH/FRENCH

**NOTE:** All component dimensions given in U.S. inches. 1 inch = 25.4 mm  
**IMPORTANT:** Use only Original Equipment Manufacturer (O.E.M.) replacement parts. Failure to do so could be hazardous, damage your snow thrower and void your warranty.

**REPAIR PARTS SNOW THROWER - - MODEL NUMBER PP521ES (6188000600)**  
**ENGINE, LCT** **COMPLETE ENGINE-435945**



**REPAIR PARTS SNOW THROWER - - MODEL NUMBER PP521ES (6188000600)  
ENGINE, LCT COMPLETE ENGINE-435945**

KEY NO.	PART NO.	DESCRIPTION
3	437121	Snow Muffler Assy
6	437122	Snow Carburetor Assy
8	437123	Fuel Primer Bulb With Hose
10	437124	Electric Starter Assy (If Equipped)
10A	437125	European 230V Electric Starter Assy (If Equipped)
11	424954	Key Switch Assy
12	424955	CDI Box
17	436967	Snow Recoil Starter Assy
18	436968	Starter Cup Small
19	424968	Snow Starter Grip
20	424971	Blower Housing Assembly Electric Start -Snow (Black) (If Equipped)
20A	429230	Blower Housing Assembly Manual Start -Snow (Black) (If Equipped)
21	424973	Shield, Cylinder
22	424975	Shield, Flywheel-Electric Start (If Equipped)
22A	429596	Shield, Flywheel-Manual Start (If Equipped)
23	420580	Valve Cover
26	429235	Electric Start Flywheel Assy (If Equipped)
26A	420585	Manual Start Flywheel Assy (If Equipped)
27	424969	High Oil Fill Tube Assy
28	420586	Flywheel Fan
29	420595	Ignition Coil Assy
30	420606	Crankcase Cover Assy
31	420961	Black Oil Dipstick
34	436966	Spark Plug Boot
36	420601	Governor Arm Assy
37	420602	Governor Shaft
38	429646	Governor Gear Assy
39	420584	Camshaft
40	420578	Cylinder Head Assy
41	424939	Spark Plug
44	420582	Piston And Rod Assy
46	429260	Vapor Shield
47	429599	Seal Kit
48	437967	Wire Harness
49	429600	Crankshaft
50	429259	Speed Control Bracket
52	429691	Rocker Arm Kit
53	420579	Push Rod Kit
54	436567	Cylinder Assembly
56	429601	Gasket Kit
57	438014	Fuel Hose Kit
62	435495	Non-Removable Oil Plug
65	435495	Oil Drain Plug Kit

**NOTE:** All component dimensions given in U.S. inches. 1 inch = 25.4 mm  
**IMPORTANT:** Use only Original Equipment Manufacturer (O.E.M.) replacement parts.  
 Failure to do so could be hazardous, damage your snow thrower and void your warranty.