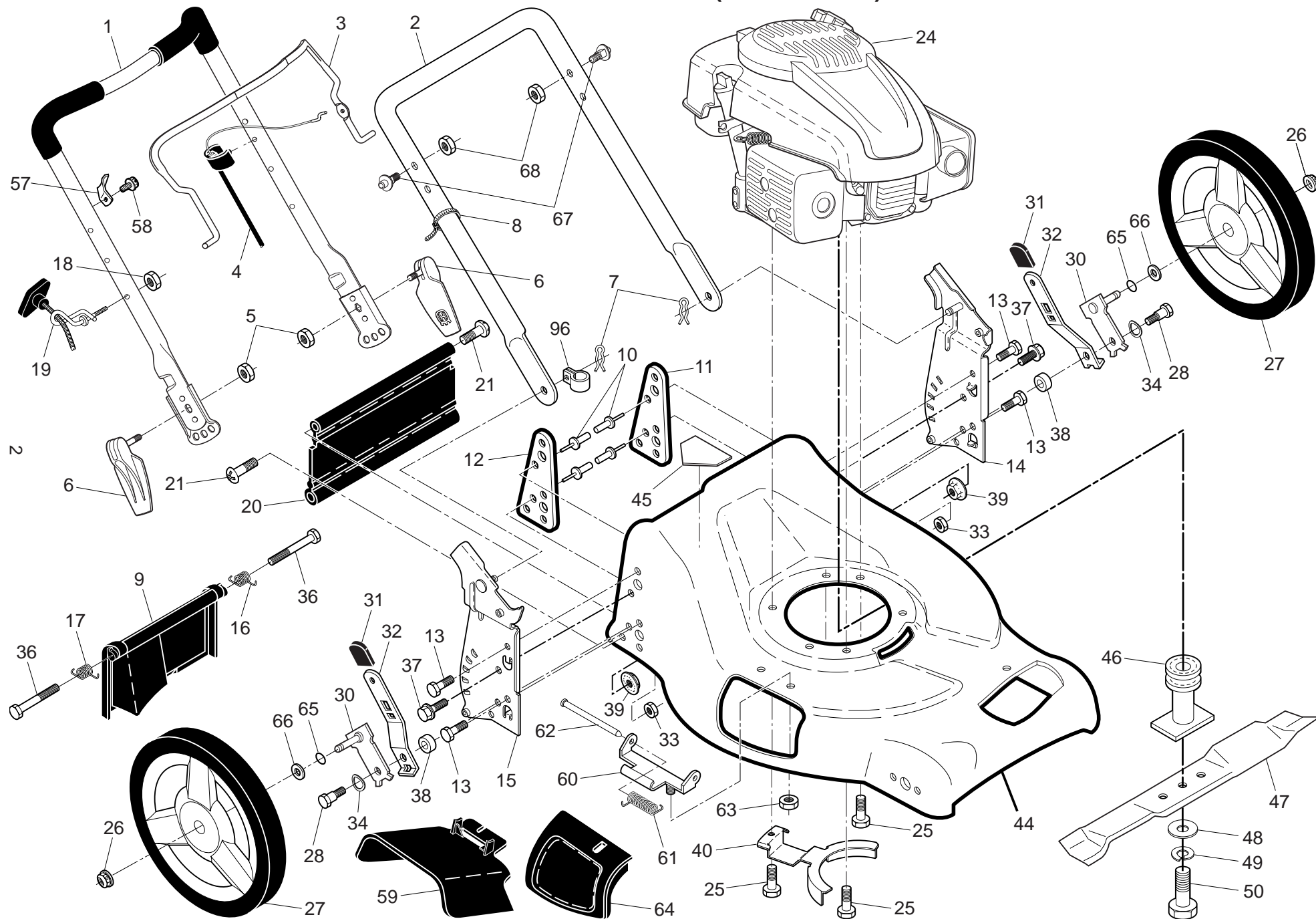


ROTARY LAWN MOWER - - MODEL NUMBER XT721F (96143006200) PRODUCT NUMBER 961 43 00-62

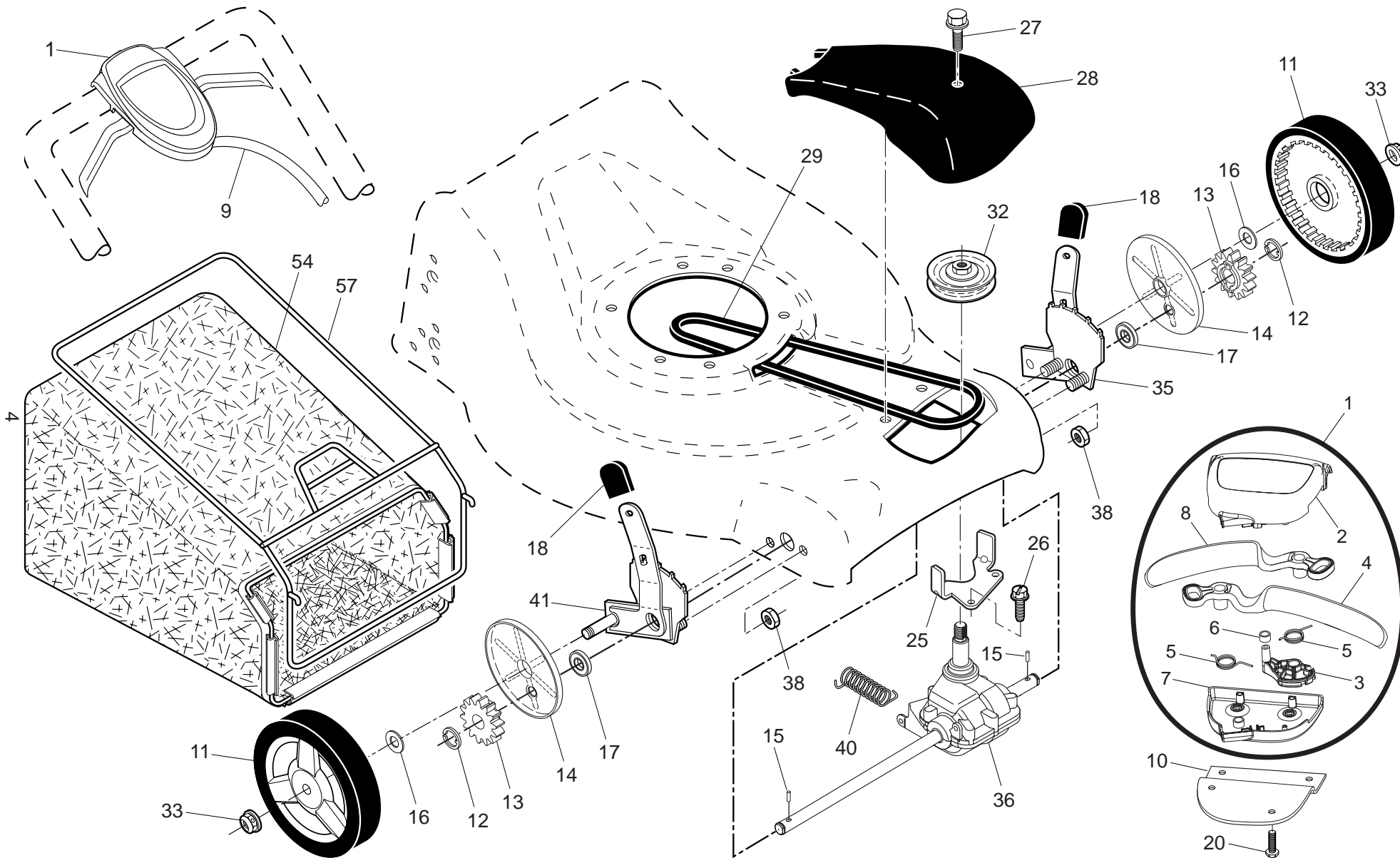


ROTARY LAWN MOWER - - MODEL NUMBER XT721F (96143006200) PRODUCT NUMBER 961 43 00-62

KEY NO.	PART NO.	DESCRIPTION	KEY NO.	PART NO.	DESCRIPTION
1	532 42 05-77	Upper Handle (Includes Foam Grip)	32	532 40 98-89	Selector Spring
2	532 42 05-10	Lower Handle	33	873 80 05-00	Nut, Hex 5/16-18
3	532 42 68-12	Control Bar	34	532 40 16-30	Washer, Curved, Cylindrical
4	532 41 53-50	Engine Zone Control Cable	36	532 18 41-93	Bolt
5	532 19 17-30	Locknut, Hex 1/4-20	37	874 78 05-12	Thread Cutting Screw w/Sems 5/16-18 x 3/4
6	532 43 20-18	Handle Knob Assembly, Quick-Release	38	532 40 16-29	Spacer
7	532 05 17-93	Hairpin Cotter	39	532 15 53-77	Nut, Hex, Flanged 5/16-18
8	532 06 64-26	Wire Tie	40	532 42 57-11	Belt Keeper
9	532 40 69-85	Rear Door Assembly	44	532 40 89-89	Lawn Mower Housing (Includes Key Numbers 10, 11, 12 and 45)
10	532 12 84-15	Pop Rivet	45	532 40 47-63	Danger Decal
11	532 41 05-40	Support Bracket, LH	46	532 42 12-48	Blade Adapter / Pulley
12	532 41 05-42	Support Bracket, RH	47	532 40 67-12	Blade 21"
13	817 06 04-10	Screw 1/4-20 x 5/8	48	532 85 10-74	Hardened Washer
14	532 41 78-12	Handle Bracket Assembly, LH	49	532 85 02-63	Helical Washer 3/8-24 x 1-3/8 Grade 8
15	532 41 78-11	Handle Bracket Assembly, RH	50	532 85 10-84	Hex Head Machine Screw 3/8-24 x 1-3/8 Grade 8
16	532 40 54-17	Spring, Rear Door, LH	57	532 43 00-34	Upstop Bracket
17	532 40 54-18	Spring, Rear Door, RH	58	532 75 06-34	Screw
18	532 13 20-04	Locknut, Hex 1/4-20	59	532 18 55-82	Discharge Deflector
19	532 19 47-88	Rope Guide	60	532 17 57-35	Hinge Bracket Assembly
20	532 41 31-59	Rear Skirt	61	532 19 30-00	Spring, Hinge
21	532 08 86-52	Screw, Hinge	62	532 17 56-50	Rod, Hinge
24	---	Engine, Kohler, Model Number XT173-0224 (For engine service and replacement parts, call Kohler at 1-800-544-2444)	63	873 80 04-00	Locknut, Hex 1/4-20
25	532 15 04-06	Hex Head Thread Rolling Screw 3/8-16 x 1-1/8	64	532 18 55-76	Mulcher Door
26	532 40 91-49	Hex Flange Nut	65	532 19 74-80	O-Ring
27	532 41 08-15	Wheel & Tire Assembly, Rear, 12"	66	532 08 83-48	Washer, Flat
28	532 40 16-38	Shoulder Bolt 5/16-18 x .33	67	532 19 92-55	Stud
30	532 41 31-41	Axle Arm Assembly, Rear	68	532 75 11-53	Nut, Hex
31	532 70 10-37	Selector Knob	96	532 19 79-91	Clip, Cable
			--	532 40 47-64	Decal, Warning (not shown)
			--	532 43 10-10	Owner's Manual, English / French

NOTE: All component dimensions given in U.S. inches. 1 inch = 25.4 mm. **IMPORTANT:** Use only Original Equipment Manufacturer (O.E.M.) replacement parts. Failure to do so could be hazardous, damage your lawn mower and void your warranty.

ROTARY LAWN MOWER - - MODEL NUMBER XT721F (96143006200) PRODUCT NUMBER 961 43 00-62



ROTARY LAWN MOWER - - MODEL NUMBER XT721F (96143006200) PRODUCT NUMBER 961 43 00-62

KEY NO.	PART NO.	DESCRIPTION	KEY NO.	PART NO.	DESCRIPTION
1	532 43 09-98	Drive Control Assembly	18	532 70 10-37	Selector Knob
2	532 43 16-38	Cover, Drive Control, Upper	20	532 18 16-98	Screw
3	532 43 22-86	Cam	25	532 41 16-63	Belt Keeper
4	532 43 30-87	Lever, Drive Control, LH	26	532 16 34-09	Screw, Hi-Lo Thread #12 x 5/8
5	532 42 03-81	Spring	28	532 43 26-64	Drive Cover Assembly (Includes Mounting Screw and Pushnut)
6	532 43 22-73	Bushing	29	532 19 41-49	V-Belt
7	532 43 30-57	Cover, Drive Control, Lower	32	532 19 40-18	Pulley, Drive
8	532 43 29-77	Lever, Drive Control, RH	33	532 40 91-48	Locknut, Hex
9	532 43 16-51	Cable, Drive Control	35	532 42 42-01	Kit, Wheel Adjuster, LH (Includes Knob and Bearing)
10	532 43 27-90	Mounting Bracket, Drive Control	36	532 40 48-33	Gear Case Assembly, Complete
11	532 41 10-81	Wheel & Tire Assembly	38	873 80 04-00	Locknut 1/4-20
12	812 00 00-58	E-Ring	40	532 40 65-58	Spring
13	532 40 38-49	Pinion	41	532 42 42-00	Kit, Wheel Adjuster, RH (Includes Knob and Bearing)
14	532 18 94-03	Dust Cover	54	532 42 57-32	Grassbag
15	532 40 48-45	Pawl, Drive	57	532 41 19-50	Frame, Grassbag
16	532 06 77-25	Washer 1/2 x 1-1/2 x .134			
17	532 19 10-39	Bearing, Wheel Adjuster			

5

NOTE: All component dimensions given in U.S. inches. 1 inch = 25.4 mm. **IMPORTANT:** Use only Original Equipment Manufacturer (O.E.M.) replacement parts. Failure to do so could be hazardous, damage your lawn mower and void your warranty.