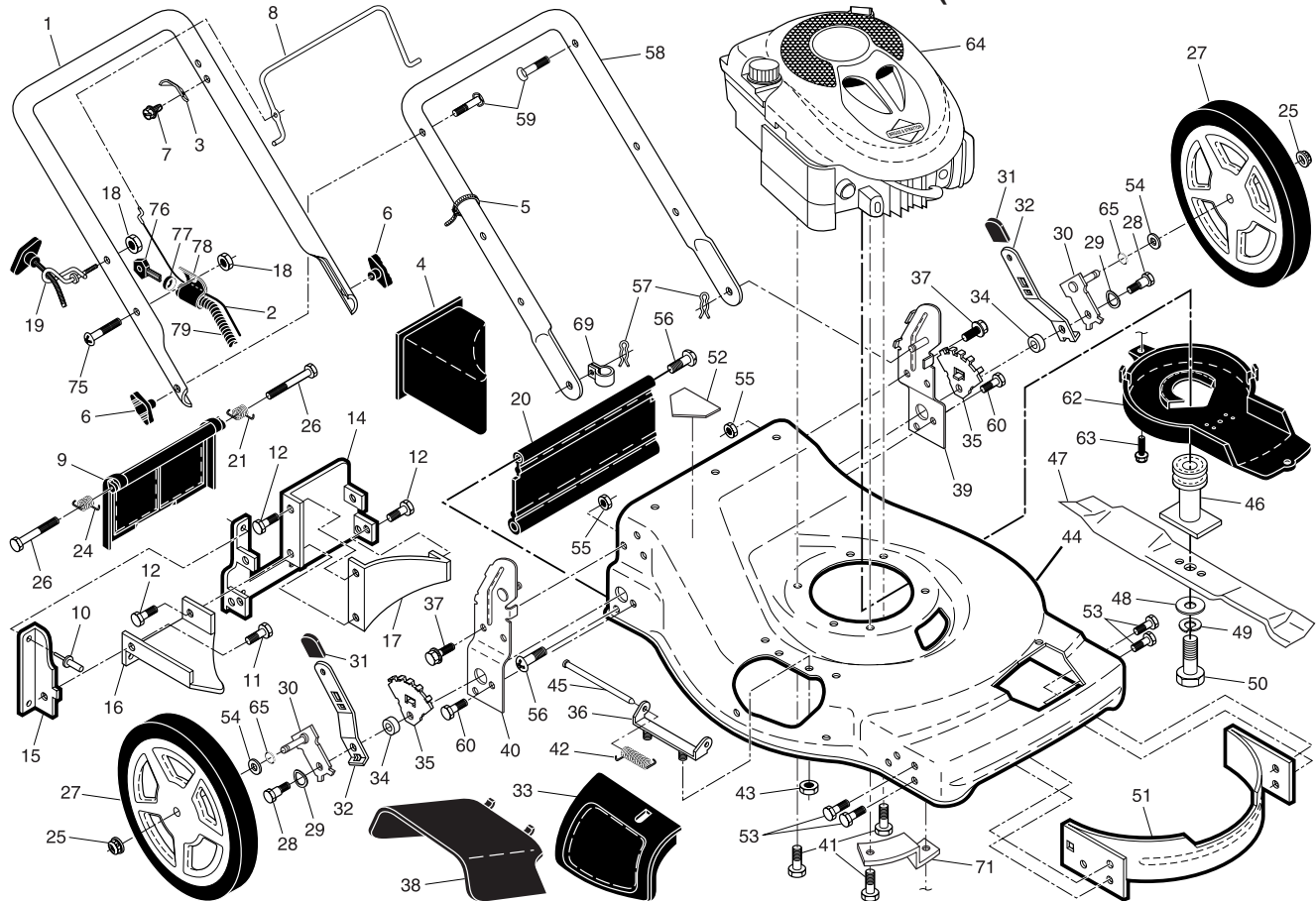


ROTARY LAWN MOWER - - MODEL NUMBER PR625Y22RKP (MFG. ID. NO. 96142005400)

2



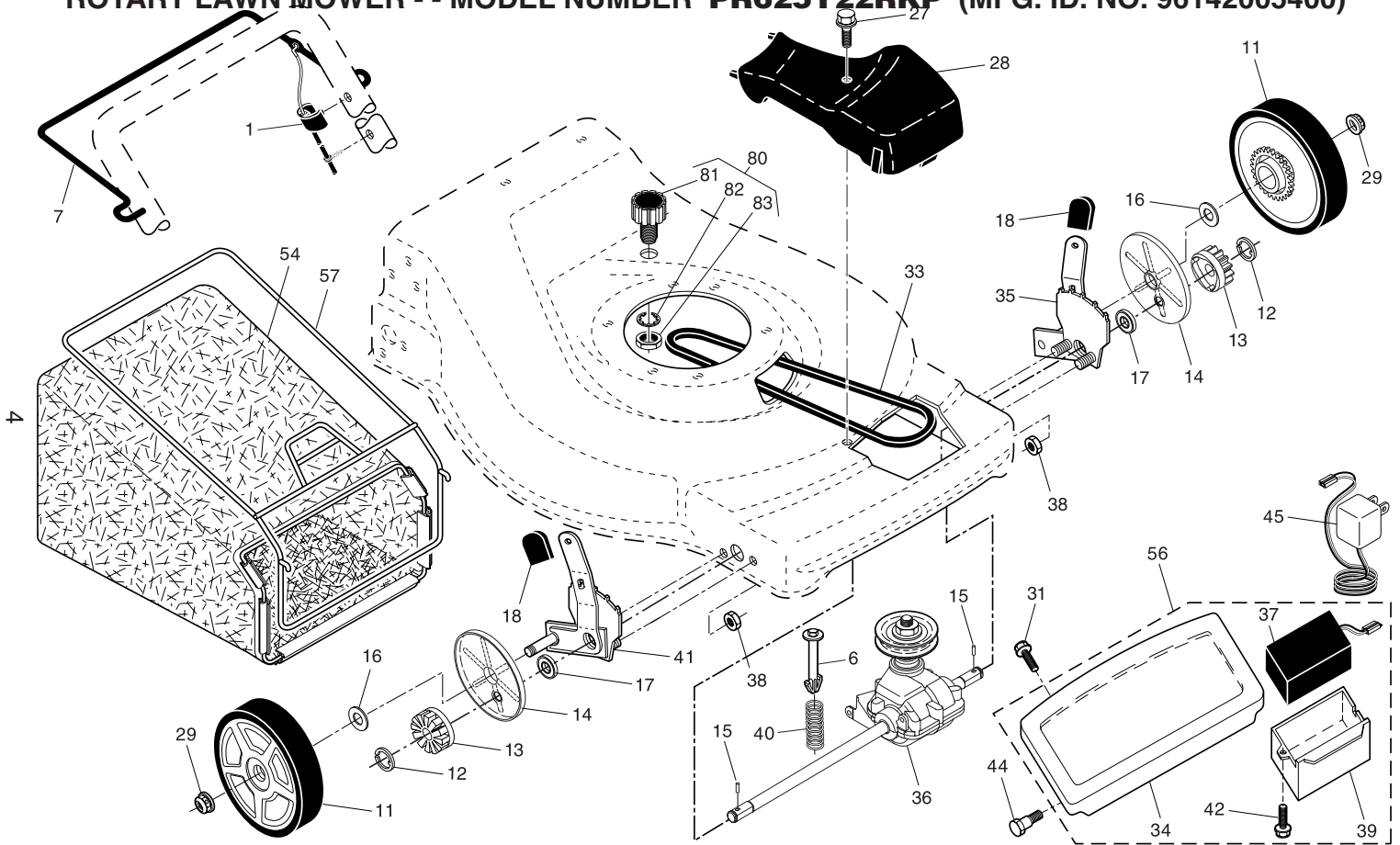
ROTARY LAWN MOWER - - MODEL NUMBER **PR625Y22RKP** (MFG. ID. NO. 96142005400)

KEY NO.	PART NO.	DESCRIPTION	KEY NO.	PART NO.	DESCRIPTION	KEY NO.	PART NO.	DESCRIPTION
1	194200X479	Upper Handle	30	401180X004	Axle Arm Assembly	53	17600406	Screw, Serrated, TT 1/4-20
2	401994	Cable, Operator Presence	31	701037X421	Selector Knob	54	88348	Washer, Flat
3	850733X004	Bracket, Upstop	32	401626X004	Selector Spring	55	73930600	Nut, Hex 3/8-16
4	166649	Mulcher Plug	33	189917X428	Mulcher Door	56	88652	Hinge Screw 1/4-20 x 1-1/4
5	66426	Wire Tie	34	401629	Spacer	57	51793	Hairpin Cotter
6	189713X428	Handle Knob	35	700325X005	Wheel Adjusting Bracket	58	400512X479	Lower Handle
7	750634	Screw	36	175735	Hinge Bracket Assembly	59	191574	Handle Bolt
8	194199X421	Control Bar	37	17000512	Screw, Sems, Thread Cutting 5/16-18 x 3/4	60	74760612	Bolt, Hex Head 3/8-16 x 3/4
9	401813X428	Rear Door Assembly	38	402574X428	Discharge Deflector	62	405843	Debris Shield
10	128415	Pop Rivet	39	195915X479	Handle Bracket Assembly, LH	63	192325	Screw, Debris Shield
11	150050	Screw, Self-Tapping #10-24 x 5/8	40	195914X479	Handle Bracket Assembly, RH	64	- - -	Engine, Briggs & Stratton, Model Number 122T05-4846-EA (For engine service and replacement parts, call Briggs & Stratton at 1-800-233-3723)
12	17060410	Screw, Hex Hex Head, Sems 1/4-20 x 1/2	41	150406	Screw, Hex Head, Threaded, Rolled 3/8-16 x 1-1/8			
14	195622X479	Back Plate	42	193000	Spring, Torsion			
15	410545X479	Side Baffle	43	73800400	Nut, Hex, Nylock	65	197480	O-Ring
16	176655X479	Discharge Baffle	44	419559	Kit, Mower Housing (Includes Key Numbers 14, 15 and 51)	69	197991	Clip, Cable
17	140661X479	Rear Baffle	45	175650	Rod, Hinge	71	188839X004	Mounting Bracket, Debris Shield
18	132004	Keps Locknut 1/4-20	46	189179	Blade Adapter / Pulley	75	186159	Screw
19	194788	Rope Guide	47	406713	Blade, 22"	76	180331	Key
20	413160	Rear Skirt	48	851074	Washer, Hardened	77	194848	Nut, Cap
21	405421	Spring, Rear Door, LH	49	850263	Washer, Helical	78	189686	Key Start Switch
24	405423	Spring, Rear Door, RH	50	851084	Screw, Machine, Hex Head 3/8-24 x 1-3/8 Grade 8	79	409567	Wiring Harness
25	409149	Nut, Hex, Flanged	51	170031	Kit, Front Baffle (Includes Key Number 53)	--	404764	Warning Decal (not shown)
26	184193	Bolt, Rear Door				--	193733	Operator's Manual, English
27	195012X421	Wheel & Tire Assembly, Rear				--	193736	Operator's Manual, French
28	174719	Bolt, Shoulder 3/8-16 x 1				--	424637	Repair Parts Manual
29	401630	Washer, Curved, Cylindrical	52	404763	Danger Decal			

NOTE: All component dimensions given in U.S. inches. 1 inch = 25.4 mm.

IMPORTANT: Use only Original Equipment Manufacturer (O.E.M.) replacement parts. Failure to do so could be hazardous, damage your lawn mower and void your warranty.

ROTARY LAWN MOWER - - MODEL NUMBER PR625Y22RKP (MFG. ID. NO. 96142005400)



ROTARY LAWN MOWER - - MODEL NUMBER PR625Y22RKP (MFG. ID. NO. 96142005400)

KEY NO.	PART NO.	DESCRIPTION	KEY NO.	PART NO.	DESCRIPTION
1	194653	Drive Control Assembly (Includes Cable)	36	415226	Gear Case Assembly, Complete
6	150495	Retainer, Spring	37	189589	Battery
7	194185X421	Bar, Drive Control	38	73800400	Locknut 1/4-20
29	409148	Locknut, Hex	39	186237	Battery Box
11	193912X421	Wheel & Tire Assembly, Front	40	137090	Spring
12	12000058	E-Ring	41	424200	Kit, Wheel Adjuster, RH (Includes Knob and Bearing)
13	403849	Pinion	42	17411308	Screw, Battery Box
14	189403	Dust Cover	44	175551	Screw, Trimplate
15	404845	Pawl, Drive	45	190097	Charger, Battery
16	67725	Washer, Flat 3/8	54	411062	Grassbag Assembly
17	191039	Bearing, Wheel Adjuster	56	191252	Trimplate/Battery Box/Battery Assembly
18	701037X421	Selector Knob	57	411952	Frame, Grassbag
27	175262	Pan Head Tapping Screw #10-24 x 2-3/4	80	421114	Water Washout Assembly
28	401271X428	Drive Cover	81	419735	Fitting, Hose, Water Washout
31	141841	Screw, Trimplate	82	415585	Washer, Lock, Internal Tooth
33	146527	V-Belt	83	415586	Locknut, Hex, with O-Ring
34	411190	Trimplate			
35	424201	Kit, Wheel Adjuster, LH (Includes Knob and Bearing)			

NOTE: All component dimensions given in U.S. inches. 1 inch = 25.4 mm.

IMPORTANT: Use only Original Equipment Manufacturer (O.E.M.) replacement parts. Failure to do so could be hazardous, damage your lawn mower and void your warranty.