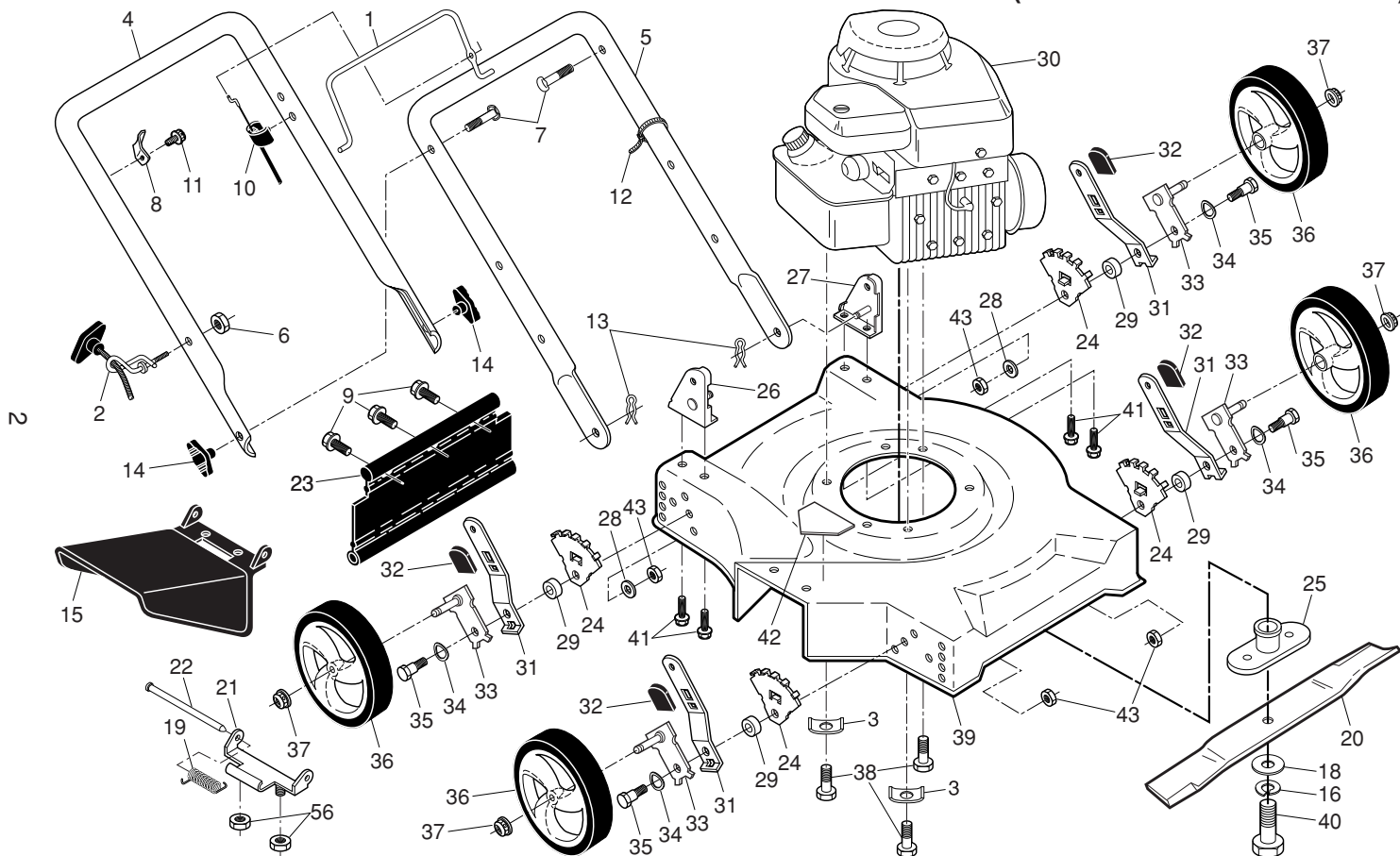


MURRAY ROTARY LAWN MOWER - - MODEL NUMBER M20300 (MFG. ID. NO. 96114002800)



MURRAY ROTARY LAWN MOWER - - MODEL NUMBER M20300 (MFG. ID. NO. 96114002800)

KEY NO.	PART NO.	DESCRIPTION	KEY NO.	PART NO.	DESCRIPTION
1	194176X428	Control Bar	27	170346X479	Handle Bracket Assembly, LH
2	194788	Rope Guide	28	61537	Washer, Flat
3	851201X004	Engine Washer	29	401629	Spacer
4	447814X479	Upper Handle	30	---	Engine, Briggs & Stratton, Model Number 9L602-1611-F1 (For engine service and replacement parts, call Briggs & Stratton at 1-800-233-3723)
5	432254X479	Lower Handle	31	401621X004	Selector Spring
6	132004	Nut, Hex	32	87877	Selector Knob
7	191574	Handle Bolt 5/16-18 x 1-3/4	33	401179X004	Axle Arm Assembly
8	429930X004	Up-Stop Bracket	34	401630	Belleville Washer
9	189241	Hex Washer Head Screw #10-24 x 1/2	35	401638	Shoulder Bolt
10	440934	Engine Zone Control Cable	36	193850X460	Wheel and Tire Assembly
11	178848	Screw	37	409148	Nut, Hex
12	66426	Wire Tie	38	150406	Hex Head Thread Rolling Screw 3/8-16 x 1-1/8
13	51793	Hairpin Cotter	39	418876	Lawn Mower Housing
14	189713X428	Knob, Handle	40	851084	Hex Head Screw 3/8-24 x 1-3/8 Grade 8
15	428278X428	Discharge Guard	41	149741	Thread Cutting Screw 5/16-18 x 3/4
16	850263	Helical Lock Washer 3/8	42	404763	Danger Decal
18	851074	Hardened Washer	43	73930500	Locknut, Hex 5/16-18
19	411832	Torsion Spring	56	73800400	Locknut, Hex 1/4-20
20	145106	Blade, 20"	--	404764	Warning Decal (not shown)
21	88602	Hinge Deflector	--	193732	Operator's Manual, English
22	150215	Hinge Rod	--	193735	Operator's Manual, Spanish
23	189240	Rear Deflector	--	581697127	Repair Parts Manual, English
24	407494X005	Wheel Adjusting Bracket			
25	850977	Blade Adapter			
26	170345X479	Handle Bracket Assembly, RH			

NOTE: All component dimensions given in U.S. inches. 1 inch = 25.4 mm. **IMPORTANT:** Use only Original Equipment Manufacturer (O.E.M.) replacement parts. Failure to do so could be hazardous, damage your lawn mower and void your warranty.