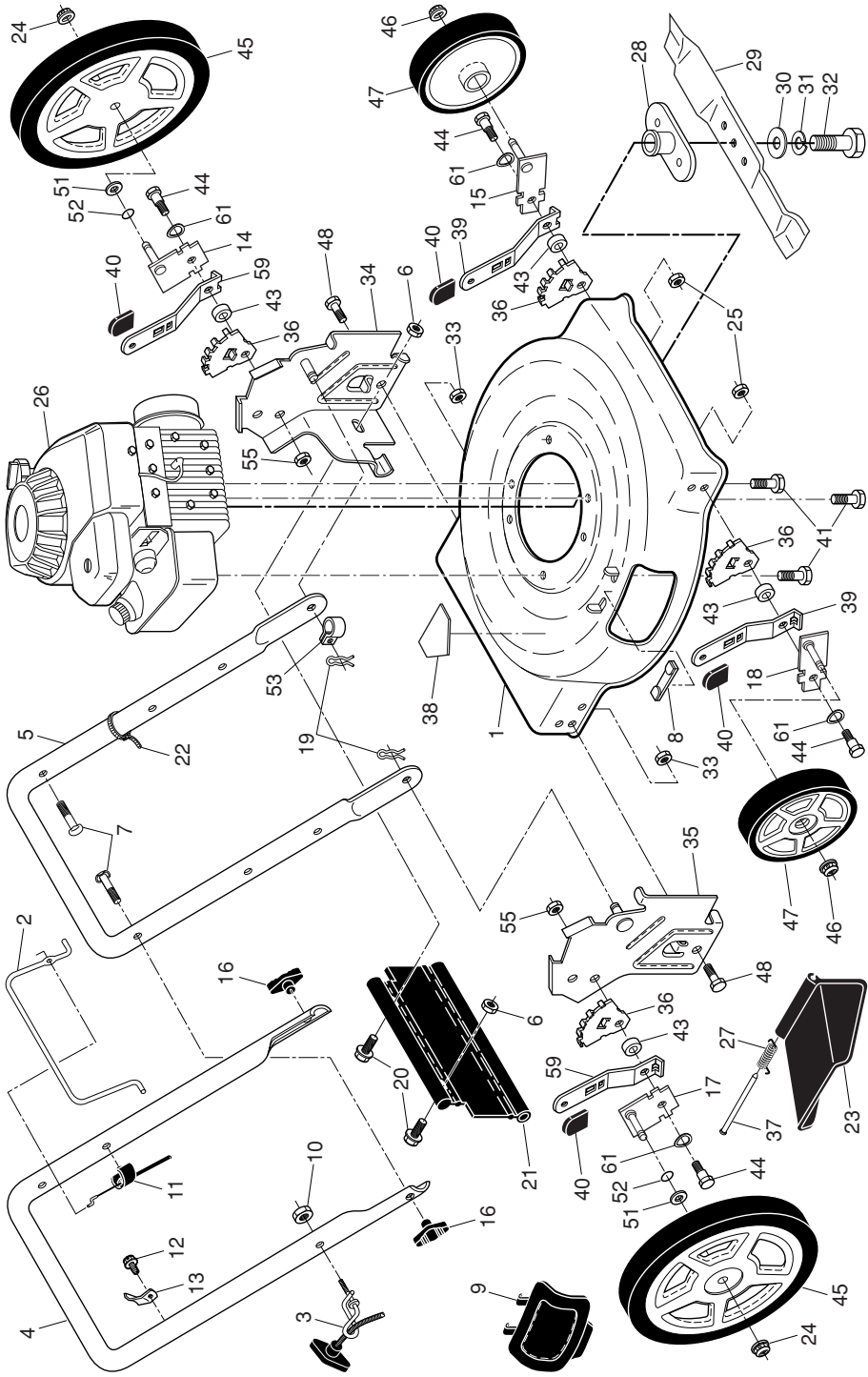


WEED EATER ROTARY LAWN MOWER -- MODEL NUMBER 96114002302



2

WEED EATER ROTARY LAWN MOWER -- MODEL NUMBER 96114002302

KEY PART NO.	DESCRIPTION	KEY PART NO.	DESCRIPTION
1	Lawn Mower Housing Assembly (Includes Key Number 38)	28	Blade Adapter
2	Control Bar	29	22" Blade
3	Rope Guide	30	Hardened Washer
4	Upper Handle	31	Helical Lockwasher 3/8
5	Lower Handle	32	Hex Head Screw 3/8-24 x 1/4 Grade 8
6	Locknut, Hex 1/4-20	33	Nut, Hex, Centerlock 5/16-18
7	Handle Bolt 5/16-18	34	Support, Wheel Bracket, LH
8	Clip, Closeout	35	Support, Wheel Bracket, RH
9	Mulcher Plate	36	Adjuster, Wheel Bracket
10	Locknut, Hex 1/4-20	37	Hinge Rod
11	Engine Zone Control Cable	38	Danger Decal
12	Screw, Hex Head, Threaded, Rolled #10-24 x1/2	39	Selector Spring, Front
13	Up-Stop Bracket	40	Selector Knob
14	Axle Arm Assembly (Rear, LH)	41	Screw, Hex Head, Threaded, Rolled 3/8-16 x 1
15	Axle Arm Assembly (Front, LH)	43	Spacer
16	Handle Knob	44	Shoulder Bolt
17	Axle Arm Assembly (Rear, RH)	45	Wheel & Tire Assembly, Rear
18	Axle Arm Assembly (Front, RH)	46	Locknut, Hex 3/8-16
19	Hairpin Cotter	47	Wheel & Tire Assembly, Front
20	Screw	48	Bolt, Hex Head
21	Rear Skirt	51	Washer, Flat
22	Wire Tie	52	O-Ring
23	Discharge Guard	53	Clip, Cable
24	Nut, Hex	55	Nut, Hex
25	Nut, Hex	59	Selector Spring, Rear
26	Engine, Briggs & Stratton, Model Number 10L502-1016-F1 (For engine service and replacement parts, call Briggs & Stratton at 1-800-233-3723)	61	Washer, Curved, Cylindrical
27	Torsion Spring	--	Warning Decal (not shown)
		--	Operator's Manual, English
		--	Operator's manual, Spanish
		--	Repair Parts Manual

IMPORTANT: Use only Original Equipment Manufacturer (O.E.M.) replacement parts. Failure to do so could be hazardous, damage your lawn mower and void your warranty.

3