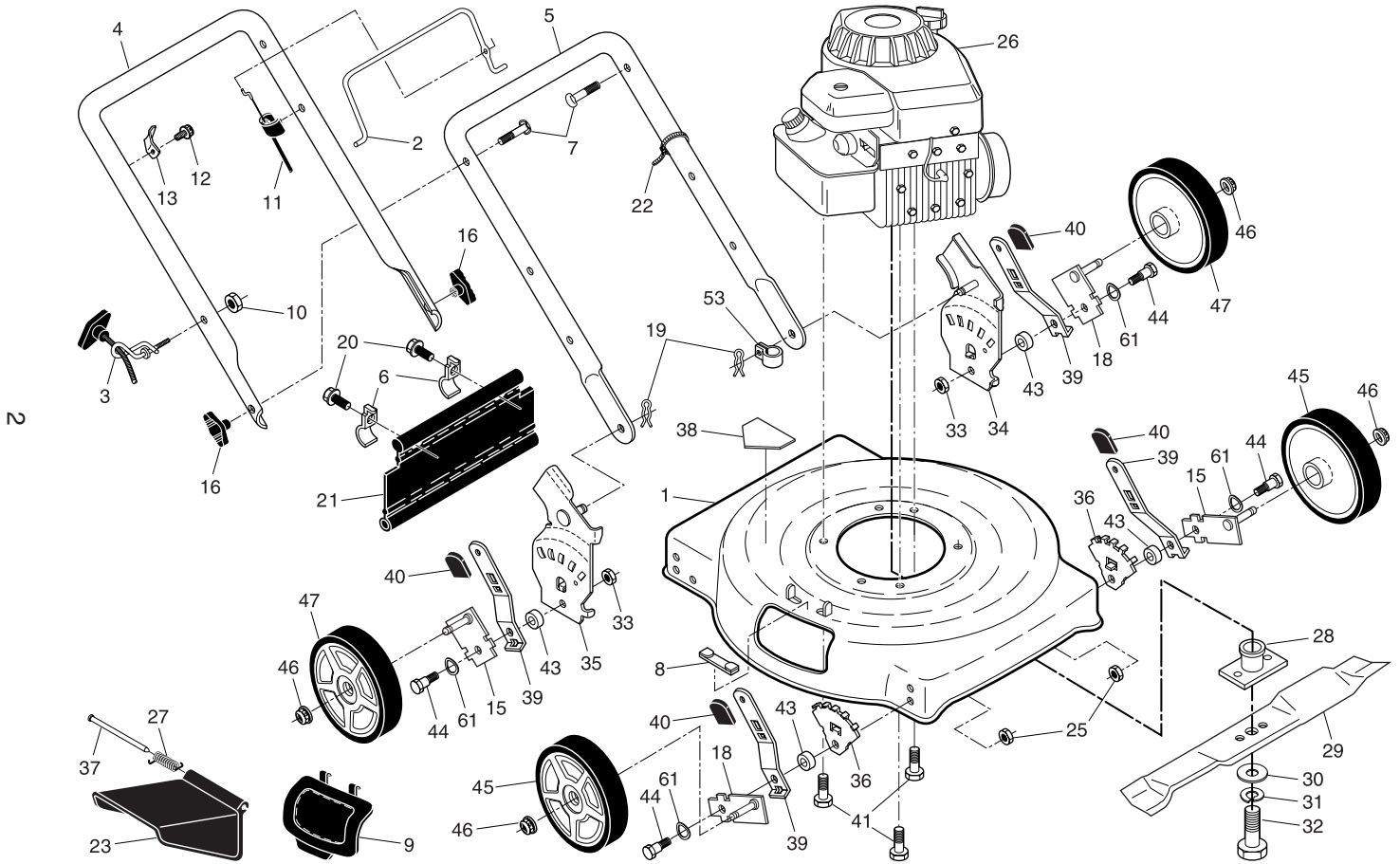


ROTARY LAWN MOWER - - MODEL NUMBER 96114001500



ROTARY LAWN MOWER - - MODEL NUMBER 96114001500

KEY NO.	PART NO.	DESCRIPTION	KEY NO.	PART NO.	DESCRIPTION
1	161657	Lawn Mower Housing Assembly (Includes Key Number 38)	27	408585	Torsion Spring
2	194177X428	Control Bar	28	851514	Blade Adapter
3	194788	Rope Guide	29	406713	22" Blade
4	194179X479	Upper Handle	30	851074	Hardened Washer
5	169708X479	Lower Handle	31	850263	Helical Lockwasher 3/8
6	192301X004	Hinge Bracket	32	851084	Hex Head Screw 3/8-24 x 1/4 Grade 8
7	191574	Handle Bolt 5/16-18	33	73930500	Nut, Hex, Centerlock 5/16-18
8	161622	Clip, Closeout	34	400781X479	Support, Wheel Bracket, LH
9	160830	Mulcher Plate	35	400782X479	Support, Wheel Bracket, RH
10	132004	Locknut, Hex 1/4-20	36	407494X005	Adjuster, Wheel Bracket
11	158152	Engine Zone Control Cable	37	160833	Hinge Rod
12	750634	Screw, Hex Head, Threaded, Rolled #10-24 x1/2	38	404763	Danger Decal
13	86899X004	Up-Stop Bracket	39	401621X004	Selector Spring
15	401174X004	Axle Arm Assembly (Rear, RH / Front, LH)	40	87877	Selector Knob
16	189713X428	Handle Knob	41	150406	Screw, Hex Head, Threaded, Rolled 3/8-16 x 1
18	401175X004	Axle Arm Assembly (Rear, LH / Front, RH)	43	401629	Spacer
19	51793	Hairpin Cotter	44	401638	Shoulder Bolt
20	750097	Screw	45	193931X617	Wheel & Tire Assembly, Front
21	413160	Rear Skirt	46	409148	Locknut, Hex 3/8-16
22	66426	Wire Tie	47	193905X617	Wheel & Tire Assembly, Rear
23	160831	Discharge Guard	53	197991	Clip, Cable
25	166785	Nut, Hex	61	401630	Washer, Curved, Cylindrical
26	---	Engine, Briggs & Stratton, Model Number 10T502 (For engine service and replacement parts, call Briggs & Stratton at 1-800-233-3723)	--	404764	Warning Decal (not shown)
			--	193732	Operator's Manual, English
			--	193735	Operator's manual, Spanish
			--	424072	Repair Parts Manual

NOTE: All component dimensions given in U.S. inches. 1 inch = 25.4 mm.

IMPORTANT: Use only Original Equipment Manufacturer (O.E.M.) replacement parts. Failure to do so could be hazardous, damage your lawn mower and void your warranty.