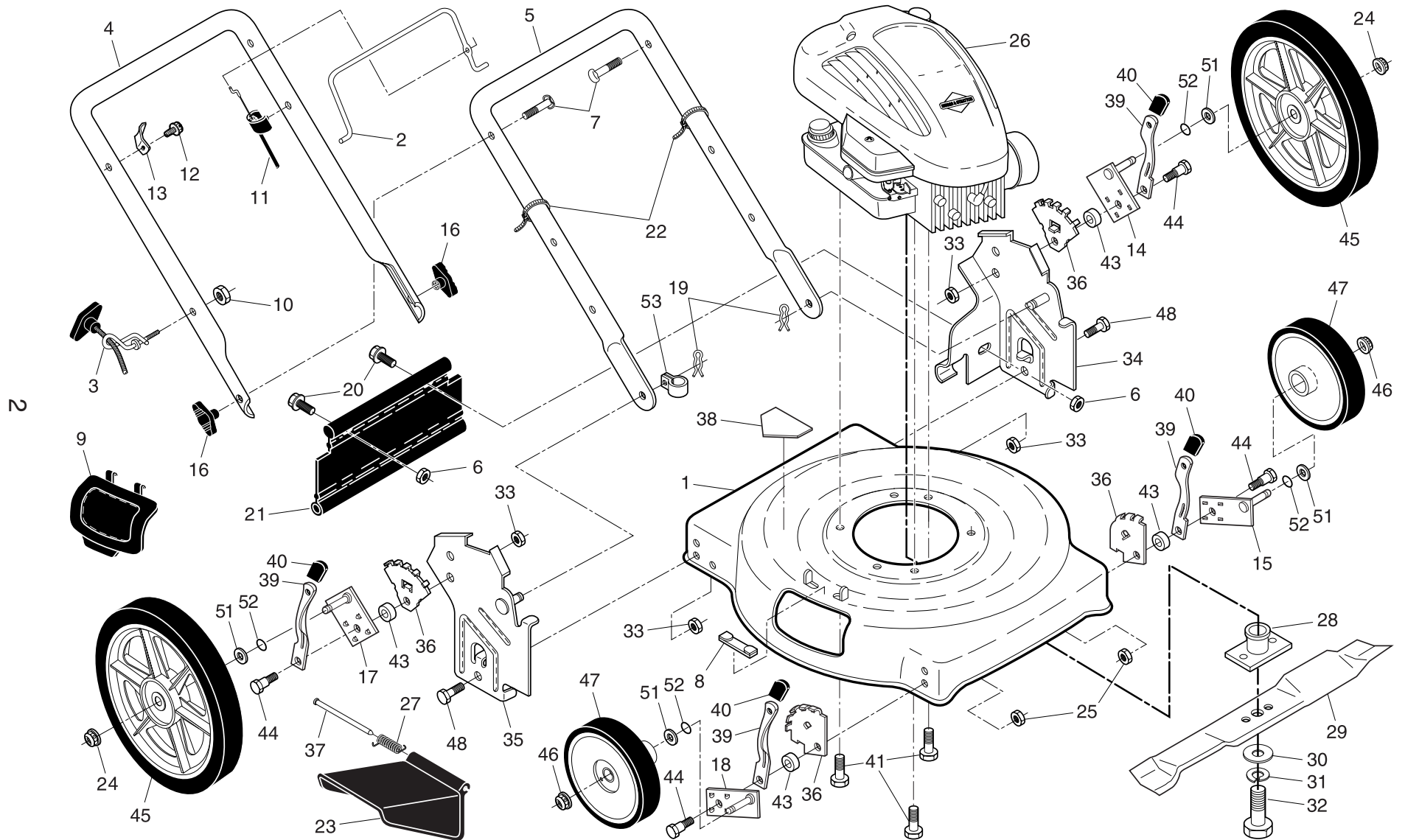


# ROTARY LAWN MOWER - - MODEL NUMBER 961140004 (96114000401)



## ROTARY LAWN MOWER - - MODEL NUMBER **961140004** (96114000401)

KEY NO.	PART NO.	DESCRIPTION	KEY NO.	PART NO.	DESCRIPTION
1	161657	Lawn Mower Housing (Includes Key Number 38)	27	193436	Torsion Spring
2	194177X428	Control Bar	28	193825	Blade Adapter
3	194788	Rope Guide	29	141114	22" Blade
4	194179X479	Upper Handle	30	851074	Hardened Washer
5	169708X479	Lower Handle	31	850263	Helical Lockwasher 3/8
6	73800400	Locknut, Hex 1/4-20	32	851084	Screw, Hex Head, Grade 8, 3/8-24 x 1-3/8
7	191574	Handle Bolt 5/16-18	33	73800500	Nut, Hex, Nylock 5/16-18
8	161622	Clip, Closeout	34	193083X479	Handle Bracket, LH
9	160830	Mulcher Plate	35	193082X479	Handle Bracket, RH
10	132004	Nut, Hex 1/4-20	36	160835X007	Wheel Bracket Adjuster
11	183281	Engine Zone Control Cable	37	160833	Hinge Rod
12	750634	Hex Washer Head Screw #10-24 x 1/2	38	141846	Danger Decal
13	86899X004	Up-Stop Bracket	39	168360X004	Selector Spring
14	180409X004	Axle Arm Assembly, Rear, LH	40	87877	Selector Knob
15	186577X004	Axle Arm Assembly, Front, LH	41	150406	Screw, Hex Head, Threaded, Rolled 3/8-16 x 1
16	189713X428	Knob, Handle	43	183901	Spacer
17	180410X004	Axle Arm Assembly, Rear, RH	44	160828	Shoulder Bolt 5/16-18
18	186578X004	Axle Arm Assembly, Front, RH	45	401628X617	Wheel & Tire Assembly, Rear, 12"
19	51793	Hairpin Cotter	47	189483	Wheel & Tire Assembly, Front, 8"
20	74760412	Screw, Hex Cap Head 1/4-20	48	74760514	Bolt, Hex Head 5/16-18
21	189008	Rear Deflector	51	88348	Washer, Flat 3/8
22	66426	Wire Tie	52	188152	O-Ring
23	160831	Discharge Guard	53	192770	Clip, Cable
24	83923	Nut, Hex, Flangelock 3/8-16	--	161058	Warning Decal (not shown)
25	166785	Nut, Hex, Flangelock 5/16-18	--	193732	Operator's Manual, English
26	---	Engine, Briggs & Stratton, Model Number 10M902 (For engine service and replacement parts, call Briggs & Stratton at 1-800-233-3723)	--	193735	Operator's Manual, Spanish
			--	401511	Repair Parts Manual

**NOTE:** All component dimensions given in U.S. inches. 1 inch = 25.4 mm.

**IMPORTANT:** Use only Original Equipment Manufacturer (O.E.M.) replacement parts. Failure to do so could be hazardous, damage your lawn mower and void your warranty.