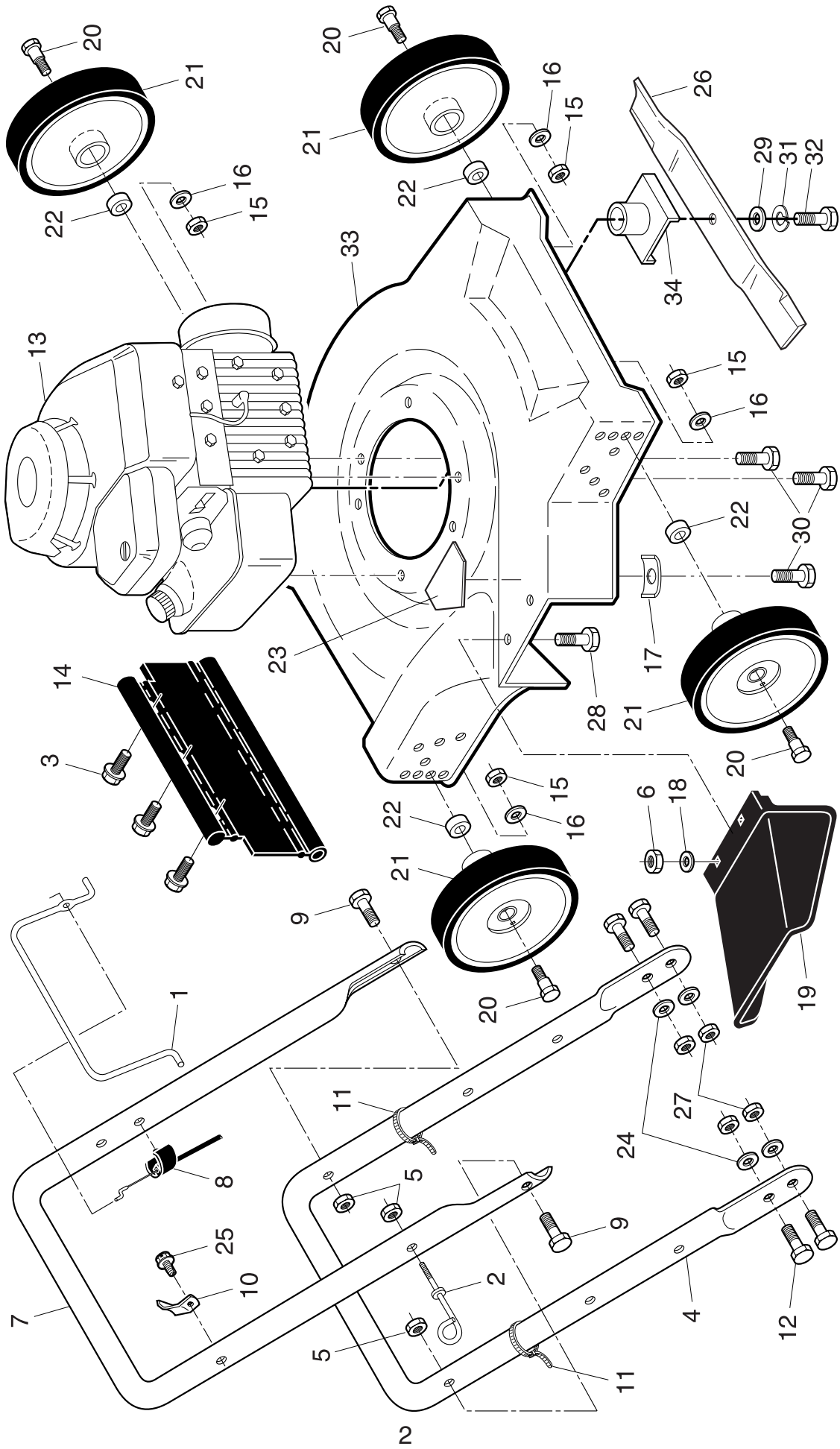


ROTARY LAWN MOWER -- MODEL NUMBER 961140001 (96114000104)



ROTARY LAWN MOWER - - MODEL NUMBER 961140001 (96114000104)

KEY PART NO. NO.	DESCRIPTION	KEY PART NO. NO.	DESCRIPTION
1	194177X428 Control Bar	19	752052 Discharge Guard
2	194788 Rope Guide	20	67609 Bolt, Shoulder 3/8-16 x 2-1/2
3	189241 Screw, Hex Washer Head, Self-Tapping #10-24 x 1/2	21	405967X427 Wheel & Tire Assembly
4	172146X479 Lower Handle	22	136624 Spacer
5	132004 Nut, Hex 1/4-20	23	404763 Danger Decal
6	73800400 Locknut, Hex 1/4-20	24	55611 Washer
7	194217X479 Upper Handle	25	750634 Screw, Threaded, Rolled #10-24 x 1/2
8	162778 Cable, Engine Zone Control	26	145106 Blade, 20"
9	74350424 Bolt, Hex Head 1/4-20 x 1-1/2	27	132010 Nut, Hex, Flangelock 3/8-16
10	86899X004 Up-Stop Bracket	28	74760412 Bolt, Hex Head 1/4-20 x 3/4
11	66426 Wire Tie	29	851074 Washer, Hardened
12	137009 Bolt, Hex Head 3/8-16 x 1	30	150406 Screw, Hex Head, Threaded, Rolled 3/8-16 x 1
13	- - - Engine, Briggs & Stratton, Model Number 9J902 (For engine service and replacement parts, call Briggs & Stratton at 1-800-233-3723)	31	850263 Helical Lock Washer
14	189239 Rear Skirt	32	851084 Screw, Hex Head, Machine, Grade 8, 3/8-24 x 1-3/8
15	751592 Nut, Hex, Nylock 3/8-16	33	189625 Housing Kit
16	61537 Washer	34	850977 Blade Adapter
17	851201X004 Engine Washer	--	404764 Decal, Warning, English / Spanish / French
18	53847 Washer, Flat	--	193747 Operator's Manual, English
		--	193750 Operator's Manual, Spanish
		--	406062 Manual, Repair Parts

IMPORTANT: Use only Original Equipment Manufacturer (O.E.M.) replacement parts. Failure to do so could be hazardous, damage your lawn mower and void your warranty.

NOTE: All component dimensions given in U.S. inches. 1 inch = 25.4 mm.