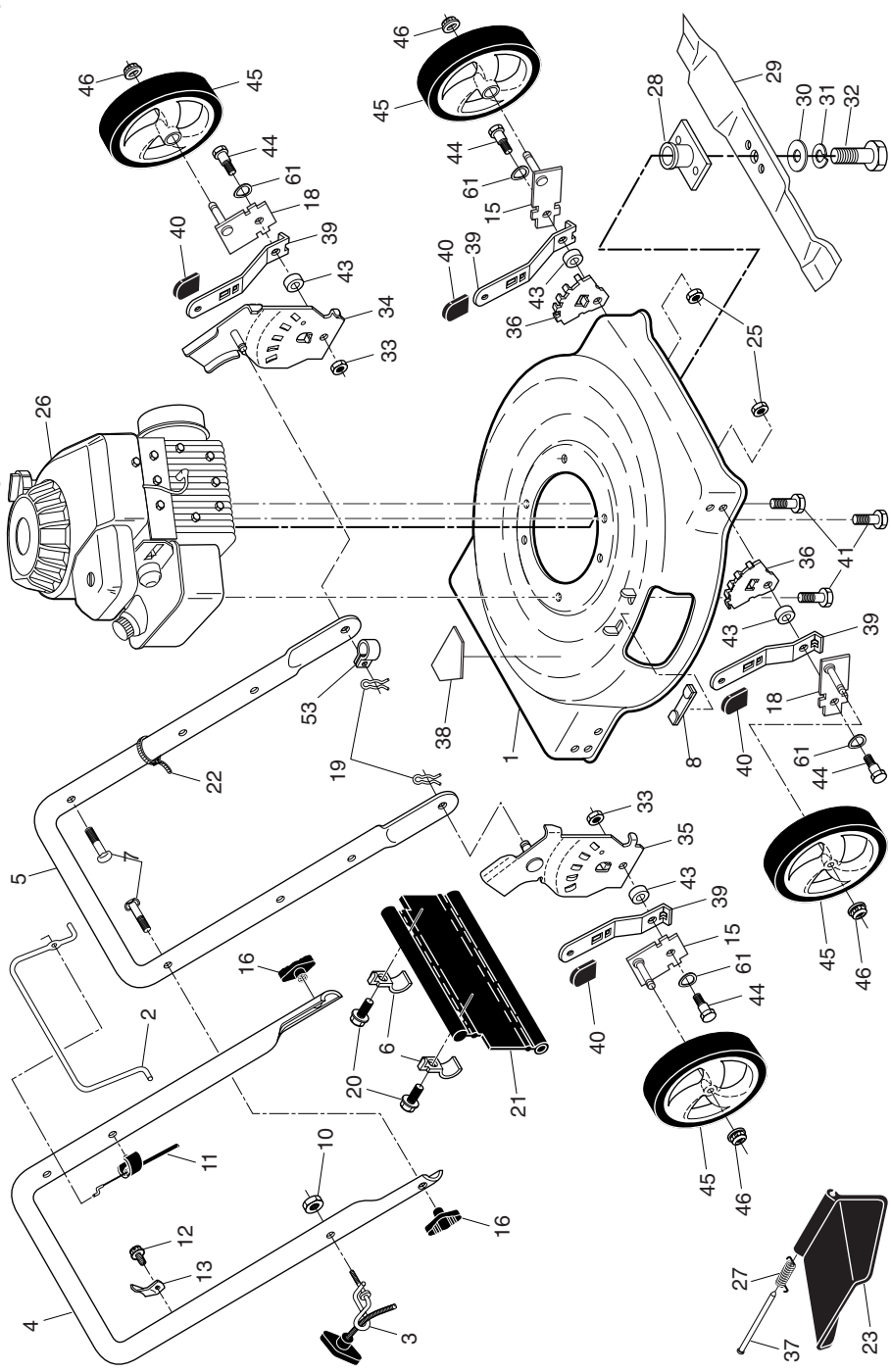


ROTARY LAWN MOWER - MODEL NUMBER PO500N22S (MFG. ID. NUMBER 96112004106)



2

ROTARY LAWN MOWER - MODEL NUMBER PO500N22S (MFG. ID. NUMBER 96112004106)

KEY NO.	PART NO.	DESCRIPTION	KEY NO.	PART NO.	DESCRIPTION
1	532 40 30-18	Kit, Housing (Includes Key Number 38)	27	532 40 85-85	Torsion Spring
2	532 19 55-74	Control Bar	28	532 85 15-14	Blade Adapter
3	532 19 47-88	Rope Guide	29	532 40 67-13	22" Blade
4	532 19 55-47	Upper Handle	30	532 85 10-74	Hardened Washer
5	532 17 42-91	Lower Handle	31	532 85 02-63	Helical Lockwasher 3/8
6	532 43 63-72	Bracket, Rear Skirt	32	532 85 10-84	Screw, Hex Head, Grade 8, 3/8-24 x 1-3/8
7	532 19 15-74	Handle Bolt 5/16-18	33	873 93 05-00	Nut, Hex, Flangelock 5/16-18
8	532 16 16-22	Clip, Closeout	34	532 40 34-56	Wheel Bracket Support (Left)
10	532 13 20-04	Locknut, Hex 1/4-20	35	532 40 34-57	Wheel Bracket Support (Right)
11	532 18 32-81	Engine Zone Control Cable	36	532 41 05-94	Wheel Bracket Adjuster
12	532 75 06-34	Screw, Hex Head, Threaded, Rolled #10-24 x 1/2	37	532 16 08-33	Hinge Rod
13	532 43 00-34	Up-Stop Bracket	38	532 40 47-63	Danger Decal
15	532 40 66-89	Axle Arm Assembly, Left Front & Right Rear	39	532 40 64-28	Selector Spring
16	532 19 19-38	Handle Knob	40	532 08 78-77	Selector Knob
18	532 40 66-90	Axle Arm Assembly, Right Front & Left Rear	41	532 15 04-06	Screw, Hex Head, Threaded, Rolled 3/8-16 x 1
19	532 05 17-93	Hairpin Cotter	43	532 40 16-29	Spacer
20	532 75 00-97	Screw, Tapping, Hex Washer Head #10-24	44	532 40 16-38	Shoulder Bolt 5/16-18 x .33
21	532 41 31-60	Rear Skirt	45	532 43 52-77	Wheel & Tire Assembly
22	532 06 64-26	Wire Tie	46	532 40 91-48	Nut, Hex, Flangelock 3/8-16
23	532 16 08-31	Discharge Guard	53	532 40 16-30	Clip, Cable
25	532 42 65-89	Nut, Hex, Flangelock 5/16-18	61	532 40 16-30	Washer, Curved, Cylindrical
26	---	Engine, Briggs & Stratton, Model Number 10T502-3764-B1 (For engine service and replacement parts, call Briggs & Stratton at 1-800-233-3723)	--	532 40 47-64	Warning Decal (not shown)
			--	532 19 37-32	Operator's Manual, English
			--	532 19 37-34	Operator's Manual, French
			--	532 44 04-71	Repair Parts Manual

3

IMPORTANT: Use only Original Equipment Manufacturer (O.E.M.) replacement parts. Failure to do so could be hazardous, damage your lawn mower and void your warranty.

NOTE: All component dimensions given in U.S. inches. 1 inch = 25.4 mm.