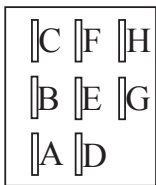
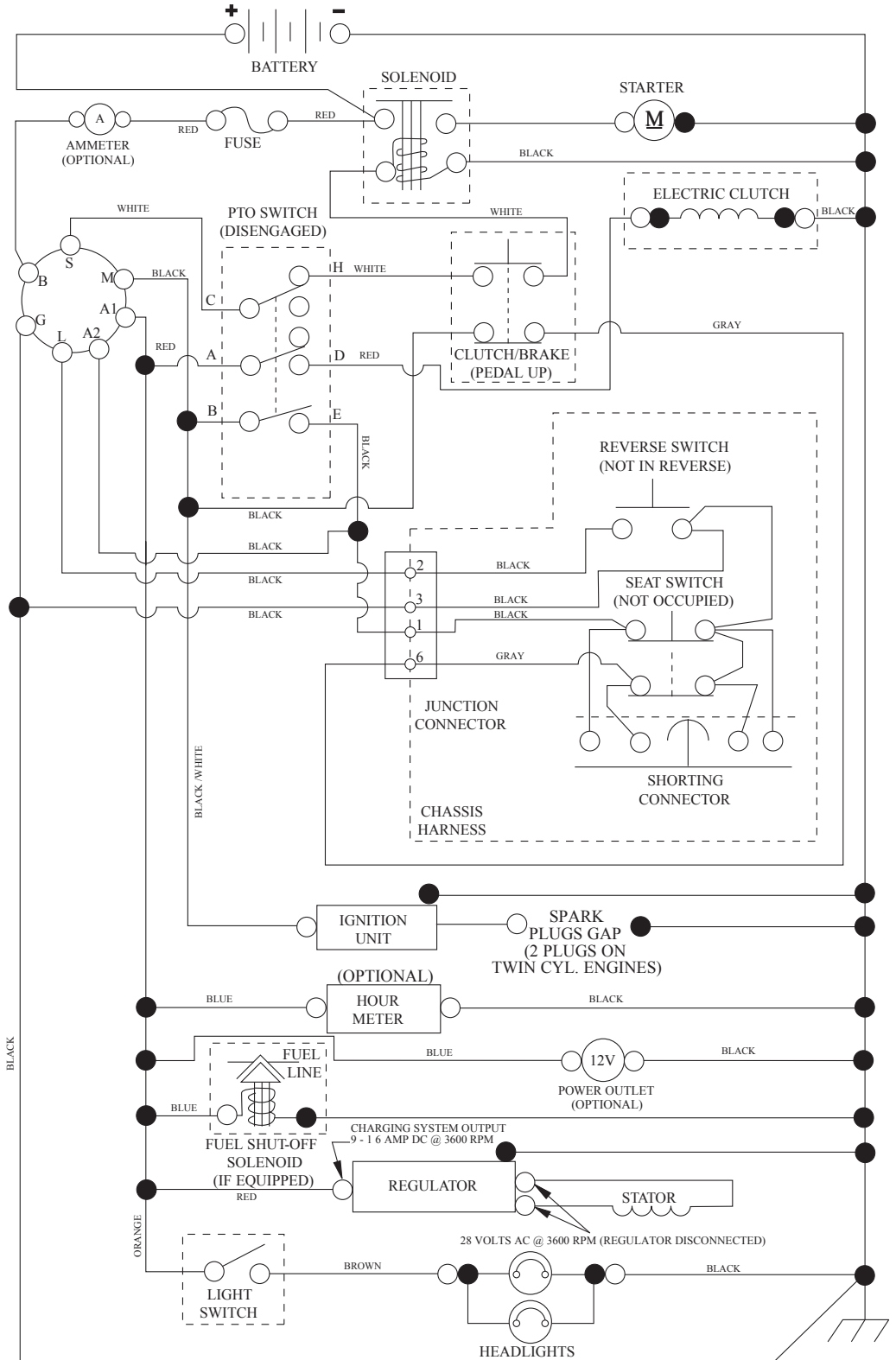
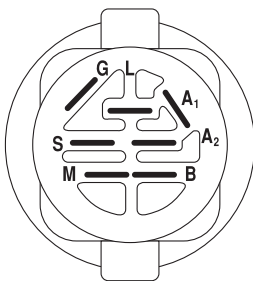


TRACTOR - - MODEL NO. PB26H54YT (96042011000), PRODUCT NO. 960 42 01-10 SCHEMATIC

SCH12

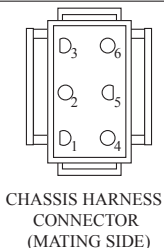


PTO SWITCH
(MATING SIDE)

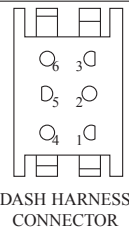


IGNITION SWITCH

POSITION	CIRCUIT	"MAKE"
OFF	M+G+A1	
RUN/OVERRIDE	B+A1	
RUN	B+A1	L+A2
START	B + S + A1	

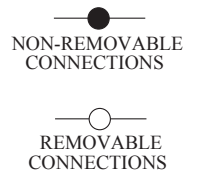


CHASSIS HARNESS
CONNECTOR
(MATING SIDE)



DASH HARNESS
CONNECTOR

WIRING INSULATED CLIPS
NOTE: IF WIRING INSULATED
CLIPS WERE REMOVED FOR
SERVICING OF UNIT, THEY
SHOULD BE RE-INSTALLED TO
PROPERLY SECURE YOUR
WIRING.



NON-REMOVABLE
CONNECTIONS

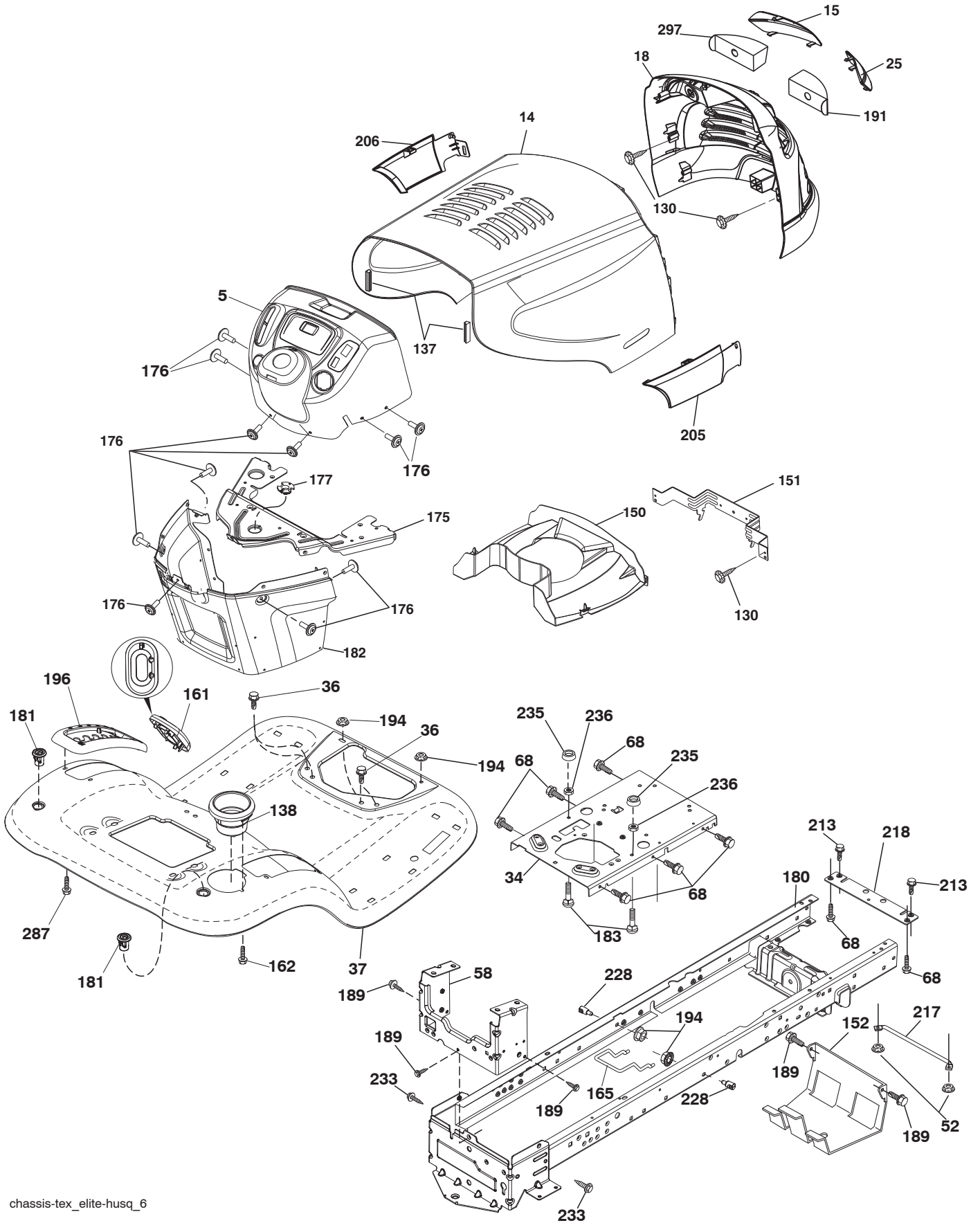
REMOVABLE
CONNECTIONS

**TRACTOR - - MODEL NO. PB26H54YT (96042011000), PRODUCT NO. 960 42 01-10
ELECTRICAL**

KEY NO.	PART NO.	DESCRIPTION
1	163465	Battery
2	74760412	Bolt Hex Head 1/4-20 x 3/4
8	186491	Box Battery
16	176138	Switch Interlock Push-In
21	183759	Harness Socket Light w/4152J
22	4152J	Bulb Light
24	400253	Cable Battery
25	412894	Cable Starter
26	175158	Fuse
27	73510400	Nut Keps Hex 1/4-20 unc
28	145491	Cable, Ground
29	401545	Switch, Seat
30	193350	Switch, Ignition
33	411933	Key/Chain
34	110712X	Switch Light/Reset
40	401104	Harness Ignition Dash
41	17720408	Screw Thd Cut 1/4-20 x 1/2
42	131563	Cover, Terminal
43	192507	Solenoid
46	401763	Gauge SRVCMNDR HRMTR
50	174651	Switch PTO
55	17060512	Screw Thdrol 5/16-18 x 3/4 TYTT
71	194276	Harness Ignition
79	175242	Socket Asm Bulb Twistlock
90	400724	Cover Terminal Battery
91	190270	Strap Battery
99	17670412	Screw 1/4-20 x 3/4
100	19091416	Washer 9/32 x 7/8 x 16
102	404454	Harness Pigtail
105	407568	Switch Reverse

NOTE: All component dimensions given in U.S. inches
1 inch = 25.4 mm

**TRACTOR - - MODEL NO. PB26H54YT (96042011000), PRODUCT NO. 960 42 01-10
CHASSIS**



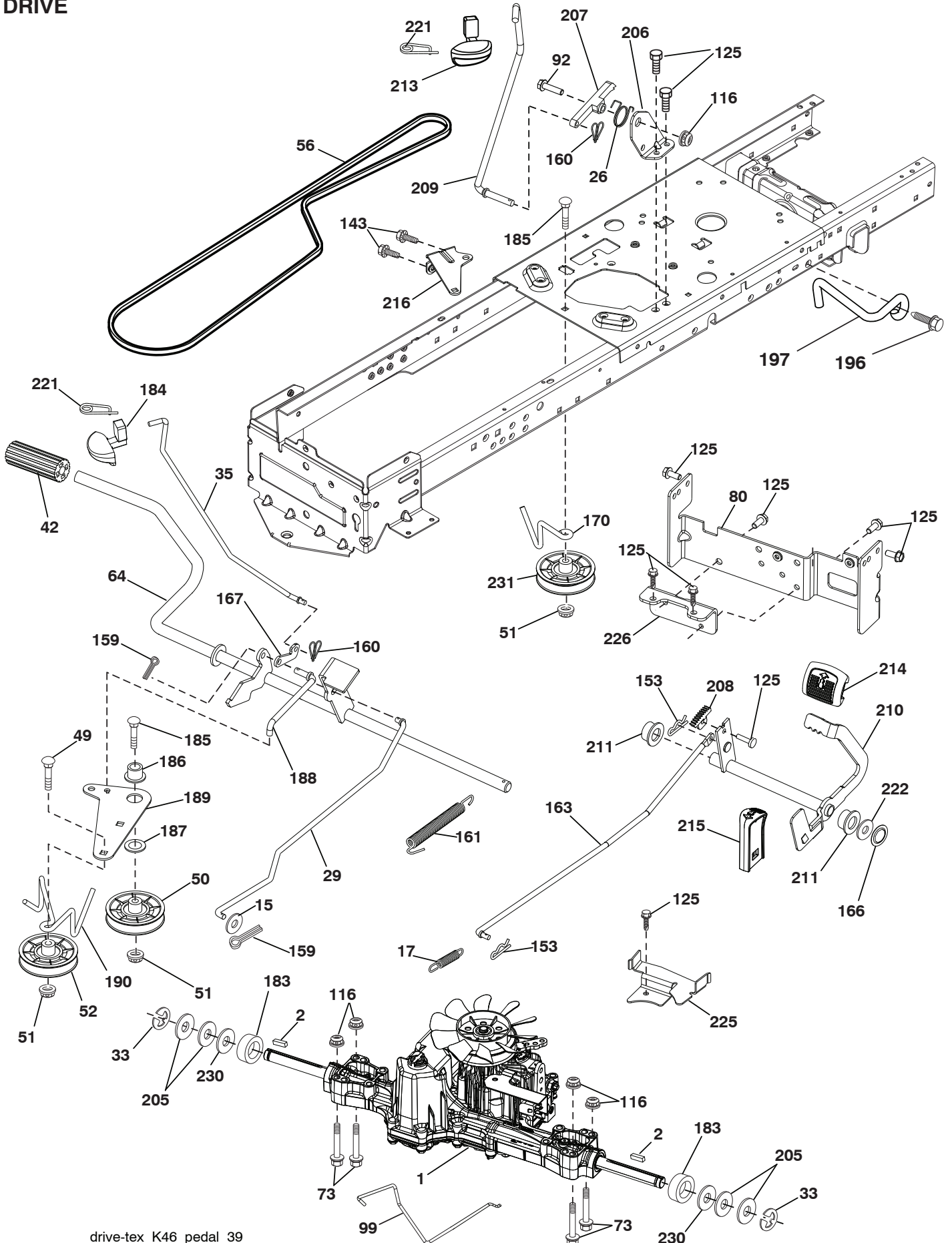
chassis-tex_elite-husq_6

**TRACTOR - - MODEL NO. PB26H54YT (96042011000), PRODUCT NO. 960 42 01-10
CHASSIS**

KEY NO.	PART NO.	DESCRIPTION
5	199649X428	Dash
14	425404X421	Hood
15	188264X599	Lens Grille LH
18	430395X428	Grille
25	188263X599	Lens Grille RH
34	196125	Plate Engine
36	17060512	Screw 5/16-18 x 3/4
37	414878X421	Fender
52	73680500	Nut Crown Lock 5/16-18
58	412280	Drawbar Upper
68	17490508	Screw THDROL 5/16-18 x 1/2
130	416358	Screw #10 x 0.750 BOS Thread
137	184921	Bumper Hood
138	193224X428	Cupholder
150	430961	Duct Heat Hood
151	407807	Bracket Pivot
152	199535	Shield Browning/Debris
159	17000612	Screw 3/8-16 x 3/4
161	193229X428	Window Fuel
162	142432	Screw Hex Wsh Hi-Lo 1/4 x 1/2 unc
165	196826	Support Tank Rear
175	193243	Crossmember
176	400776	Screw 10-24 x 5/8 Wshd Qdrx
177	195227	Bushing Steering
180	415063	Chassis
181	193102X428	Bushing Mtg. Fender Crgo.
182	193057	Dash Lower
183	74520520	Bolt Full Thd. 5/16-18 x 1-1/4
189	17000512	Screw 5/16-18 x 3/4
191	416500	Insert Lens Reflective RH
194	73900500	Nut Lock Hex Flange 5/16-18
196	414579	Console Asm. Deck Lift
205	188265X428	Skirt Side RH
206	188266X428	Skirt Side LH
213	74760512	Bolt Hex HD 5/16-18 unc x 3/4
217	409167	Rod Pivot
218	196395	X-Piece Hood
228	195161	Stud Fastener
233	196539	Bolt Shoulder
235	406129	Spacer Fender
236	73930500	Nut Center Lock 5/16-18 unc
287	17600406	Screw Hex Washhead 1/4-20 x 3/8
297	188267	Insert Lens Reflective LH
--	431883	Kit Bumper

NOTE: All component dimensions given in U.S. inches
1 inch = 25.4 mm

**TRACTOR - - MODEL NO. PB26H54YT (96042011000), PRODUCT NO. 960 42 01-10
DRIVE**



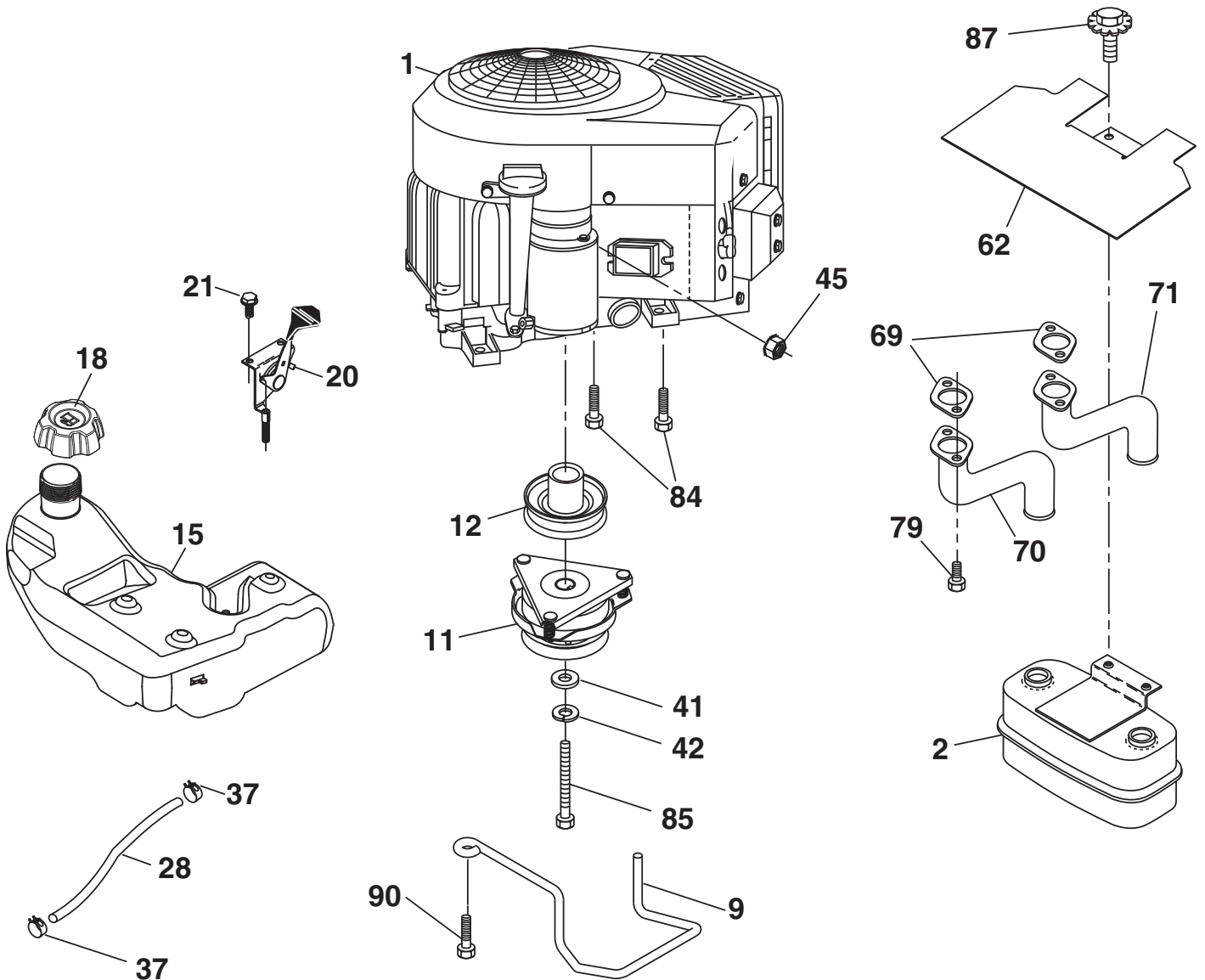
drive-tex_K46_pedal_39

**TRACTOR - - MODEL NO. PB26H54YT (96042011000), PRODUCT NO. 960 42 01-10
DRIVE**

KEY NO.	PART NO.	DESCRIPTION	KEY NO.	PART NO.	DESCRIPTION
1	-----	Transaxle, Tufftorq K46BT (Order Parts from Transaxle Manufacturer)	167	405257	Latch Brake Parking
2	123583X	Key	170	413430	Keeper Belt Centerspan
15	19131316	Washer 13/32 x 13/16 x 16 Ga.	183	137057	Spacer Axle
17	413678	Spring, Brake	184	198403X505	Handle Parking Brake
26	199679	Spring Return Cruise	185	72110622	Bolt
29	403806	Rod, Brake	186	194321	Spacer Retainer
33	12000001	Ring E	187	19133210	Washer
35	197722	Rod, Brake, Park	188	194323	Link Clutch Ground Drive
42	8883R	Cover, Foot Pedal	189	194317	Bellcrank Ground Drive
49	72110614	Bolt	190	194318	Keeper Bellcrank Ground Drive
50	194327	Pulley Idler Flat	196	17000616	Screw 3/8-16 x 1
51	73900600	Lock Nut 3/8-16	197	195804	Link Clutch Anti-Rotation
52	194326	Idler V-Groove 910" Offset	205	121748X	Washer 25/32 x 1-5/8 x 16 Ga.
56	130969	V-Belt, Drive	206	197867	Bracket Mount Latch Cruise
64	197865	Shaft Asm. Pedal Brake Control	207	197868	Latch Control Cruise
73	74490544	Bolt Hex 5/16-18 x 3.75	208	197869	Gear Sector Control Cruise
80	410024	Strap Torque	209	400769	Rod Control Cruise
92	74760520	Bolt Fin Hex 5/16-18 unc x 1.25	210	400980	Rockr Asm. Pdeal Control
99	415742	Rod Spring Bypass	211	120183X	Bearing Nylon
116	73900500	Nut Lock Hex Flange 5/16-18	213	400799 x428	Knob control Cruise
125	17000512	Screw 5/16-18 x 3/4	214	421263	Pad Pedal Forward
143	17490508	Screw 5/16-18 x 1/2	215	197301 x428	Pad Pedal Reverse
153	4497H	Retainer Spring	216	196131	Bracket Pulley Idler
159	76020412	Pin Cotter 1/8 x 3/4	221	403187	Retainer Spring Clip Handle
160	169484	Retainer Clip	222	79212010	Washer 21/32 x 1-1/4 10 Ga.
161	105709X	Spring, Return, Clutch	225	403319	Keeper Belt Transaxle
163	401034	Rod Pedal Control	226	401564	Bracket Mount Torque
166	429164	Nut Push .625	230	188967	Washer Harden .793 x 1.637 x 060
			231	407287	Idler V-Groove

NOTE: All component dimensions given in U.S. inches
1 inch = 25.4 mm

TRACTOR - - MODEL NO. PB26H54YT (96042011000), PRODUCT NO. 960 42 01-10
ENGINE



SPARK ARRESTER KIT

engine-tex_bs-2cyl_41

**TRACTOR - - MODEL NO. PB26H54YT (96042011000), PRODUCT NO. 960 42 01-10
ENGINE**

KEY NO.	PART NO.	DESCRIPTION
1	-----	Engine B&S Model No. 44P777-1273-B1
2	149723	Muffler
9	194320	Keeper Belt Engine
11	400008	Clutch Electric
12	405097	Pulley Engine
15	400021	Tank Fuel
18	430218	Cap Fuel
20	421473X428	Control Throttle/Choke
21	416358	Screw #10 x 0.750 BOS Thread
28	401135	Fuel Line
29	137180	Spark Arrester Kit
37	123487X	Clamp Hose
41	126197X	Washer 1-1/2 OD x 15/32 ID x 250
42	10040700	Washer Lock 7/16
45	73510400	Nut Keps Hex 1/4-20 unc
62	146629	Shield Heat Muffler
69	165391	Gasket
70	159955	Exhaust Tube LH
71	160589	Exhaust Tube RH
79	183906	Screw Socket HD 5/16-18 x 1
84	17060620	Screw 3/8-16 x 1-1/4
85	173937	Bolt 7/16-20 x 4 x Gr. 5-1.5
87	171877	Bolt 5/16 - 18 x 3/4
90	17000616	Screw 3/8-16 x 1

NOTE: All component dimensions given in U.S. inches
1 inch = 25.4 mm

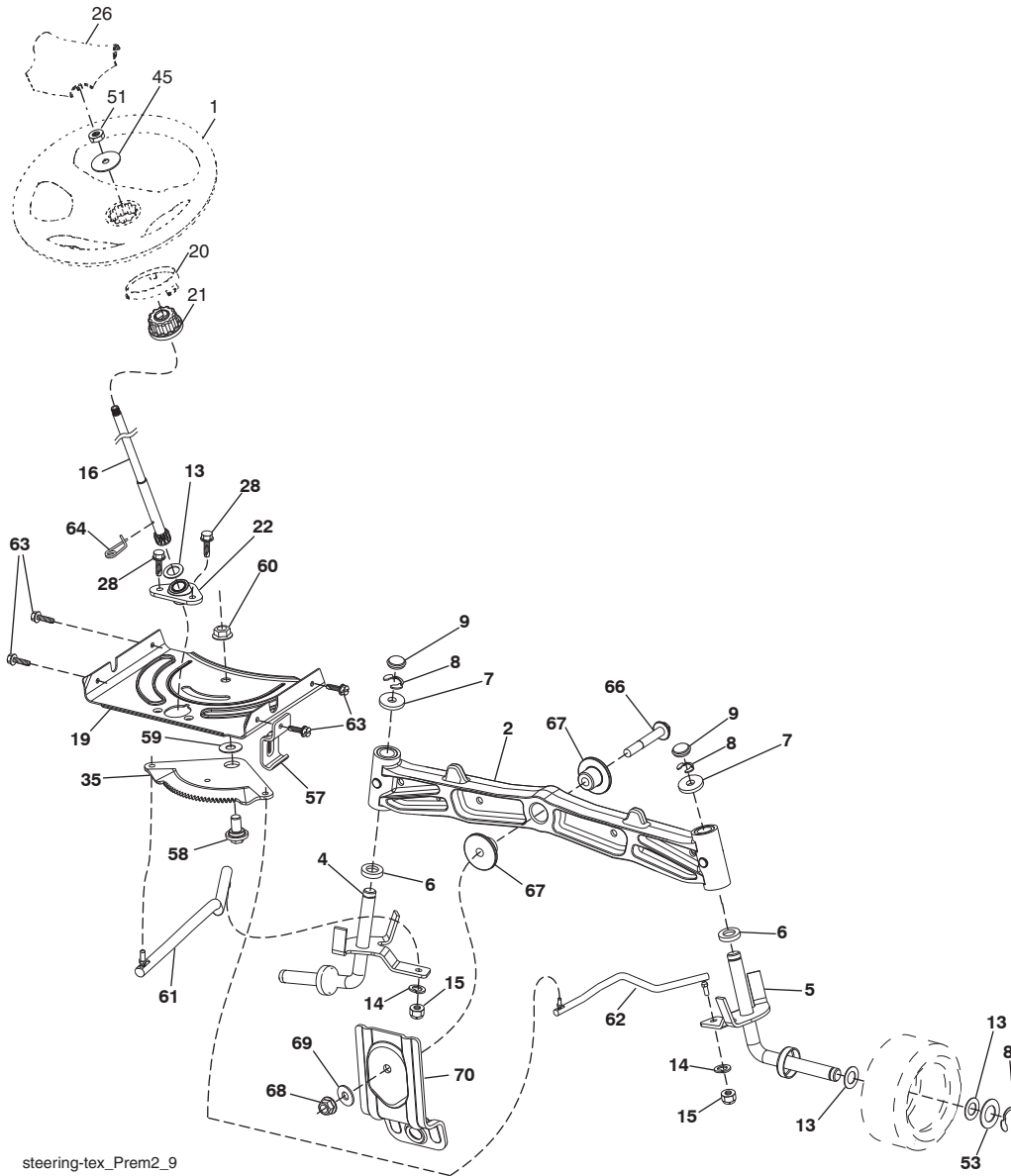
For engine service and replacement parts, call the toll free number for your engine manufacturer listed below:

Briggs & Stratton 1-800-233-3723

Engine Power Rating Information

The gross power rating for individual gas engine models is labeled in accordance with SAE (Society of Automotive Engineers) code J1940 (Small Engine Power & Torque Rating Procedure), and rating performance has been obtained and corrected in accordance with SAE J1995 (Revision 2002-05). Torque values are derived at 3060 RPM; horsepower values are derived at 3600 RPM. Actual gross engine power will be lower and is affected by, among other things, ambient operating conditions and engine-to-engine variability. Given both the wide array of products on which engines are placed and the variety of environmental issues applicable to operating the equipment, the gas engine will not develop the rated gross power when used in a given piece of power equipment (actual "on-site" or net power). This difference is due to a variety of factors including, but not limited to, accessories (air cleaner, exhaust, charging, cooling, carburetor, fuel pump, etc.), application limitations, ambient operating conditions (temperature, humidity, altitude), and engine-to-engine variability. Due to manufacturing and capacity limitations, Briggs & Stratton may substitute an engine of higher rated power for this Series engine.

**TRACTOR - - MODEL NO. PB26H54YT (96042011000), PRODUCT NO. 960 42 01-10
STEERING ASSEMBLY**

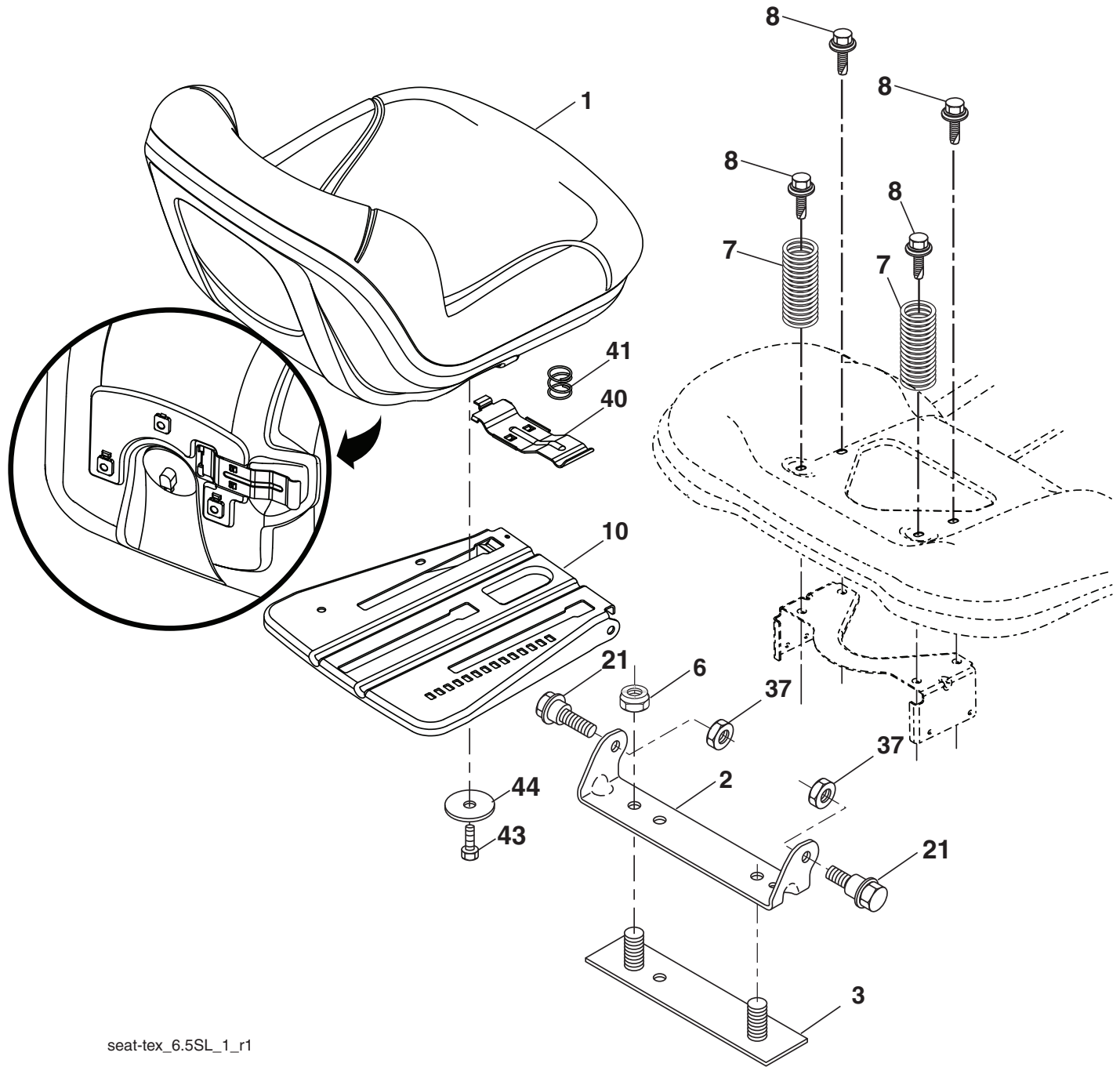


steering-tex_Prem2_9

KEY NO.	PART NO.	DESCRIPTION	KEY NO.	PART NO.	DESCRIPTION
1	414851X421	Wheel, Steering	45	19183812	Washer 9/16 ID x 2-3/8 x 12 Ga.
2	195968	Axle Asm., Front	51	73940800	Nut Hex Jam Toplock 1/2-20 unf
4	403087	Spindle Asm., LH	53	188967	Washer Hardened .793x1.637x.060
5	403088	Spindle Asm., RH	57	197246	Bracket Upstop
6	6266H	Bearing, Race Thrust Harden	58	194747	Bolt Shoulder Sector Pivot CFM
7	121748X	Washer 25/32 x 1-5/8 x 16 Ga.	59	194748	Washer Thrust Sector Steering
8	12000029	Ring, Clip #T5304-75	60	73971000	Nut Flange Lock 5/8-11
9	121232X	Cap, Spindle	61	194740	Draglink, LH
13	121749X	Washer 25/32 x 1-1/4 x 16 Ga.	62	194741	Draglink, RH
14	10040600	Washer, Lock Hvy Hlcl Spr 3/8	63	17000512	Screw 5/16-18 x 3/4
15	73540600	Nut, Crown Lock 3/8-24 unf	64	199849	Retainer Clip Spring Steering
16	408219	Shaft Steering	66	71020748	Bolt Hex Fghd 7/16-14 x 3 Serr
19	194729	Plate Steering	67	194737	Bushing PM Front Axle
20	199743X428	Boot, Steering	68	73900700	Nut Lock Flange 7/16-14 Gr. 5
21	186737	Adapter, Wheel Steering	69	199162	Washer 1.5 x .505 x .118
22	420537	Steering Support Lower	70	196197	Bracket Deck Susp. Front
26	414854X421	Insert, Wheel Steering			
28	17000612	Screw 3/8-16 x 3/4			
35	194732	Gear, Sector Plate			

NOTE: All component dimensions given in U.S. inches
1 inch = 25.4 mm

**TRACTOR - - MODEL NO. PB26H54YT (96042011000), PRODUCT NO. 960 42 01-10
SEAT ASSEMBLY**



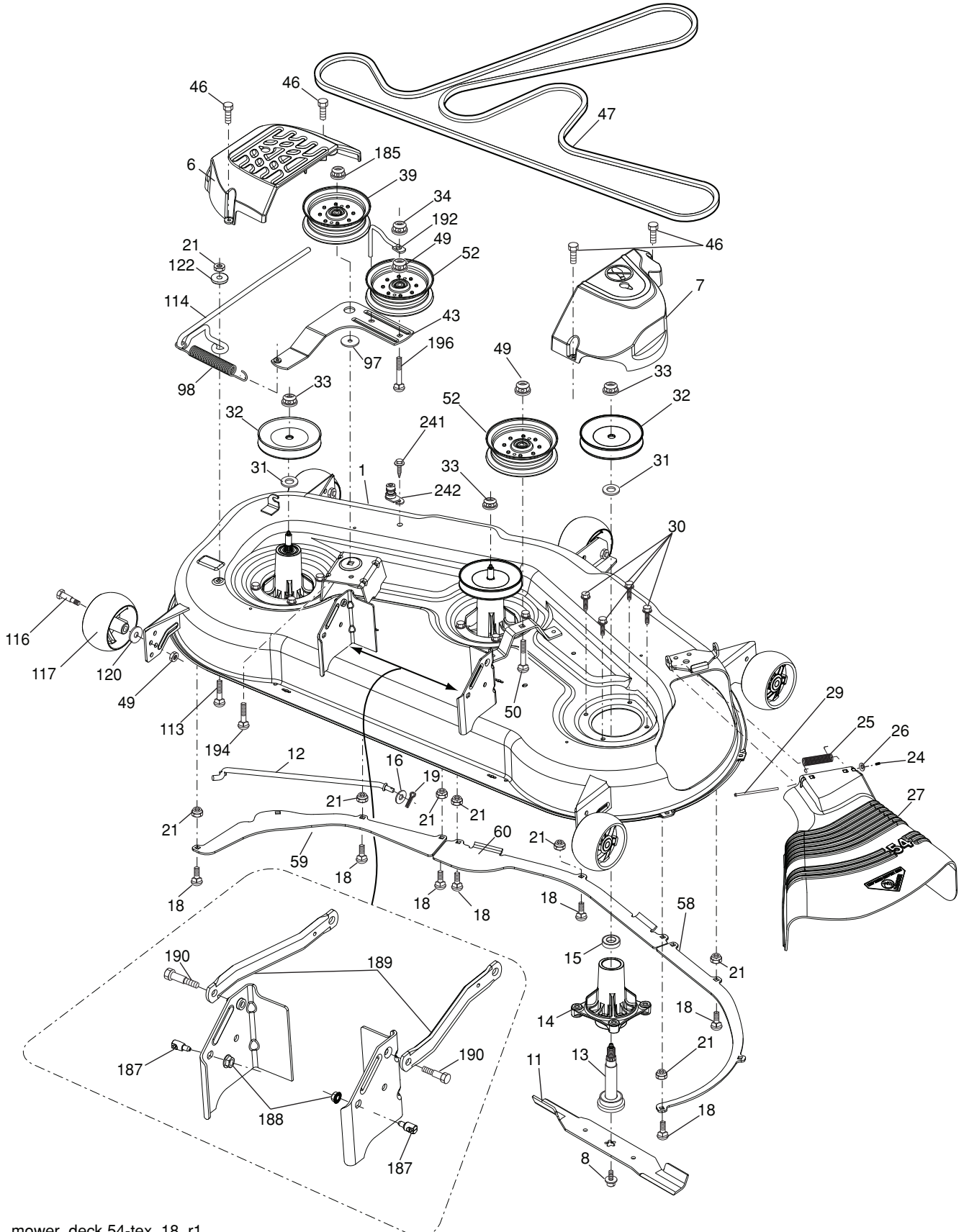
seat-tex_6.5SL_1_r1

KEY NO.	PART NO.	DESCRIPTION
1	406623	Seat
2	180166	Bracket Pivot Fender
3	140675	Strap, Asm Fender
6	73800600	Nut, Lock w/Ins. 3/8-16 unc
7	124181X	Spring, Seat Cprsn
8	171877	Bolt 5/16-18 unc x 3/4 w/Sems
10	196977	Pan, Seat
21	171852	Bolt, Shoulder 5/16-18

KEY NO.	PART NO.	DESCRIPTION
37	73800500	Nut, Lock 5/16-18 unc
40	197661	Handle Slide Seat
41	198200	Spring Latch Seat
43	74760612	Bolt Fin Hex 3/8-16 unc x 3/4
44	19133812	Washer 13/32 x 2-3/8 x 12 Ga.

NOTE: All component dimensions given in U.S. inches
1 inch = 25.4 mm

TRACTOR - - MODEL NO. PB26H54YT (96042011000), PRODUCT NO. 960 42 01-10
MOWER DECK



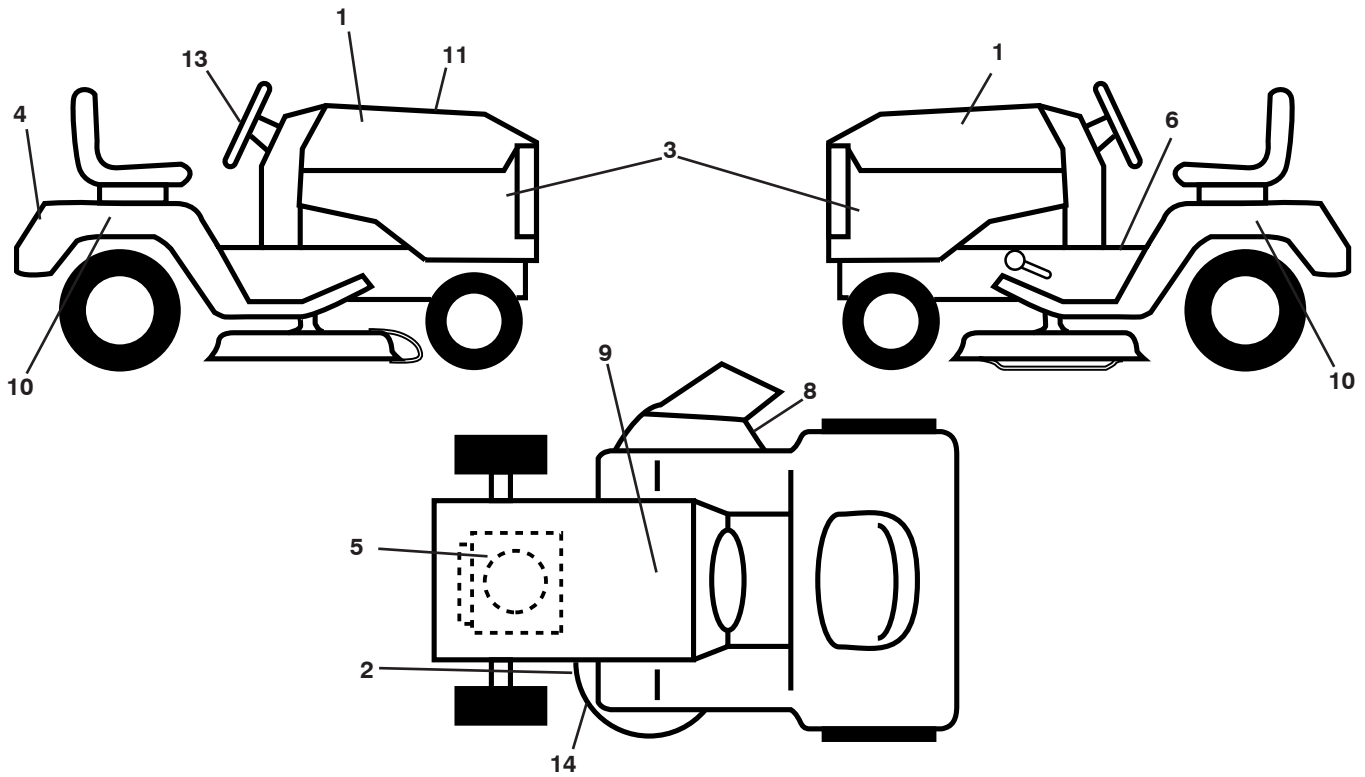
mower_deck 54-tex_18_r1

**TRACTOR - - MODEL NO. PB26H54YT (96042011000), PRODUCT NO. 960 42 01-10
MOWER DECK**

KEY NO.	PART NO.	DESCRIPTION	KEY NO.	PART NO.	DESCRIPTION
1	195632	Deck Weldment Mower	52	197379	Pulley Idler 4.50
6	196066	Cover Mandrel LH	58	187342	Baffle Right
7	197181	Cover Mandrel RH	59	187344	Baffle Left
8	193003	Bolt 7/16 Asm. Blade	60	187607	Baffle Center
11	187256	Blade Bagging	97	178515	Washer Hardened
12	404851	Rod Anti-Sway	98	196105	Spring Drive
13	187291	Shaft Asm. w/Lower Bearing	113	72110508	Bolt Rdhd Sqnk 5/16-18 x 3/4
14	187281	Housing, Mandrel	114	187556	Rod Tension Relief
15	110485X	Bearing, Ball, Mandrel	116	193406	Bolt, Shoulder
16	19131312	Washer 13/32 x 13/16 x 12 Ga.	117	174873	Gauge Wheel
18	72140505	Bolt Carr. 5/16-18 x 5/8	120	19132012	Washer 13/32 x 1-1/4 x 12 Ga.
19	194208	Pin Cotter 5/16 Bow Tie Lock	122	187557	Bushing Tension Relief
21	73680500	Nut, Crownlock 5/16-18 unc	185	73900700	Nut Lock Flange 7/16-14 Gr. 5
24	105304X	Cap Sleeve	187	195161	Stud Fastener w/"D" Anti-Rotation
25	178102	Spring, Torsion	188	73900500	Nut Lock Hex Flange 5/16-18
26	110452X	Nut, Push	189	195185	Arm Susp. Mower Rear
27	187257X428	Deflector Shield	190	196539	Bolt Shoulder
29	131491	Rod, Hinge	192	198468	Keeper Belt Idler
30	173984	Screw, Thdroll Washer Head	194	72140716	Bolt Carr Sqnk 3/8-16 x 2-1/4
31	187690	Washer, Spacer Mower Vented	196	72140620	Bolt Rdhd 3/8-16 unc x 2-3/4 Gr. 5
32	153535	Pulley, Mandrel	241	415598	Port Washout
33	400234	Nut, Flg. Top Lock	242	152927	Screw TT #10-32.5 3/8 FLG
34	73680600	Nut Crownlock 3/8-16 unc	--	416405	Coupling Quick Disconnect
39	197380	Pulley, Idler, Stationary	--	187292	Mandrel Asm. Service (Includes Key Nos. 13-15 and 33)
43	196065	Arm, Idler	--	187255	Blade, 54" Mulching
46	137729	Screw, Thdroll. 1/4-20 x 5/8	--	418076	Replacement Mower, Complete
47	196103	V-Belt, Mower			
49	73900600	Nut, Lock Flg. 3/8-16 unc			
50	72110616	Bolt Rdhd Sqnk 3/8-16 unc x 2			

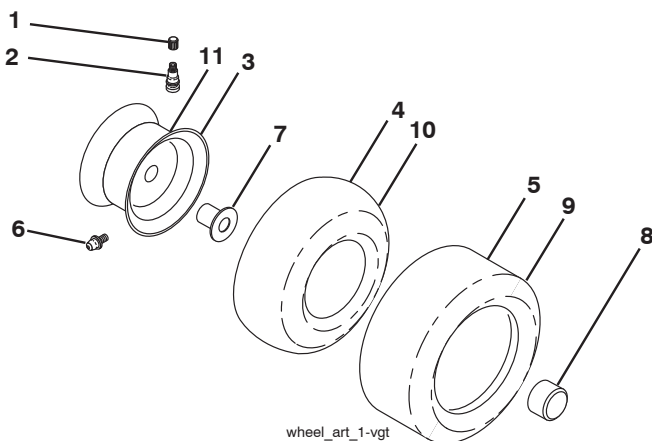
NOTE: All component dimensions given in U.S. inches
1 inch = 25.4 mm

**TRACTOR - - MODEL NO. PB26H54YT (96042011000), PRODUCT NO. 960 42 01-10
DECALS**



KEY NO.	PART NO.	DESCRIPTION	KEY NO.	PART NO.	DESCRIPTION
1	430113	Decal, Hood	10	430255	Decal, Fender SD RH
2	178455	Decal, Mower Caution	11	426684	Decal, Replacement
3	430348	Decal, Side Panel	13	430111	Decal, Steering Wheel
4	430112	Decal, Fender	14	198785	Decal, Mower Schematic
5	410020	Decal, Eng H.P.	--	400981X428	Pad, Footrest Control
6	411658	Decal, Fender Operator's	--	166960	Decal, Bypass
8	170563	Decal, Warning	--	193226X428	Pad, Footrest, LH
9	145005	Decal, Battery Dnge/Poi	--	433432	Manual, Operator's (Eng/French)
			--	433433	Manual, Operator's (Span)
			--	433434	Manual, Parts (Eng/French)

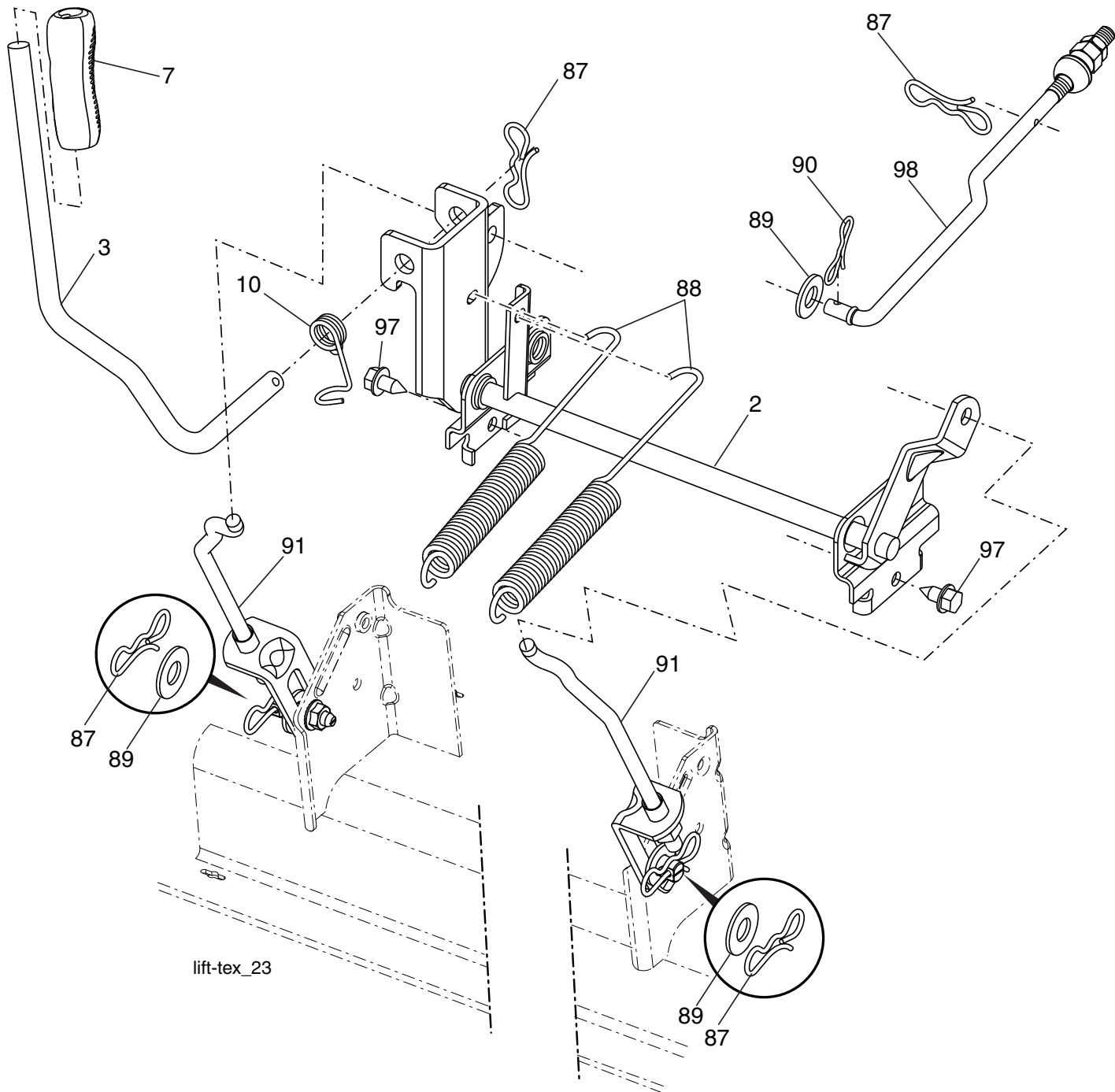
WHEELS AND TIRES



KEY NO.	PART NO.	DESCRIPTION
1	59192	Cap, Valve, Tire
2	65139	Stem, Valve
3	106732X	Rim Assembly, Front
4	59904	Tube, Front
5	106222X	Tire, Front
6	278H	Fitting, Grease
7	9040H	Bearing, Flange
8	104757X428	Cap, Axle (Front Wheel Only)
9	138468	Tire, R. TS. 20 x 8-8
10	7152J	Tube, Rear
11	106108X	Rim Assembly, Rear
--	144334	Sealant, Tire (10 oz. Tube)

NOTE: All component dimensions given in U.S. inches
1 inch = 25.4 mm

**TRACTOR - - MODEL NO. PB26H54YT (96042011000), PRODUCT NO. 960 42 01-10
MOWER LIFT**



KEY NO.	PART NO.	DESCRIPTION
2	422027	Shaft Asm., Lift
3	195231	Lever Asm., Lift RH
7	196492X428	Grip, Lever
10	196314	Spring Torsion
87	194209	Pin Cotter 7/16 Bow Tie Lock
88	410710	Spring Lift Assist
89	19191912	Washer Clear Zinc

KEY NO.	PART NO.	DESCRIPTION
90	194208	Pin Cotter 5/16 Bow Tie Lock
91	403407	Link Asm. Lift Rear
97	17000612	Screw 3/8-16 x .75 Smgml Tap/R.Z
98	195264	Link Lift Susp. Front Mower

NOTE: All component dimensions given in U.S. inches
1 inch = 25.4 mm