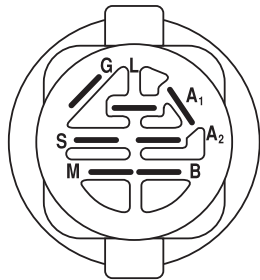
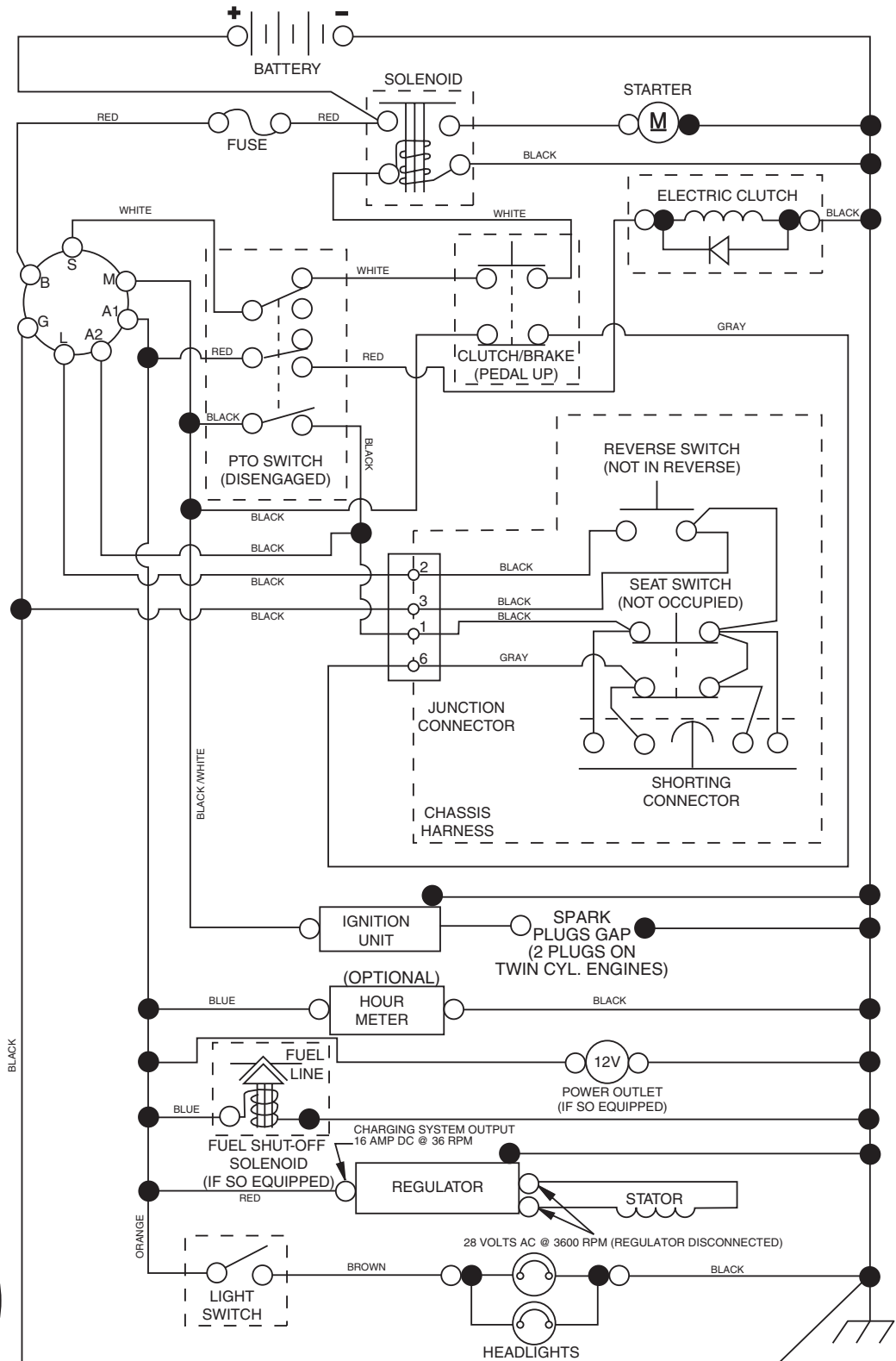


TRACTOR - - MODEL NUMBER PBGT26H54 (96042004001), PRODUCT NO. 960 42 00-40 SCHEMATIC

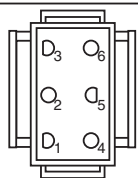
02929-194276_Regulated-Tex



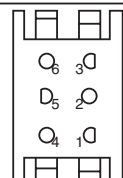
IGNITION SWITCH

POSITION	CIRCUIT	"MAKE"
OFF	M+G+A1	
RUN/OVERRIDE	B+A1	
RUN	B+A1	L+A2
START	B + S + A1	

02929



CHASSIS HARNESS CONNECTOR (MATING SIDE)



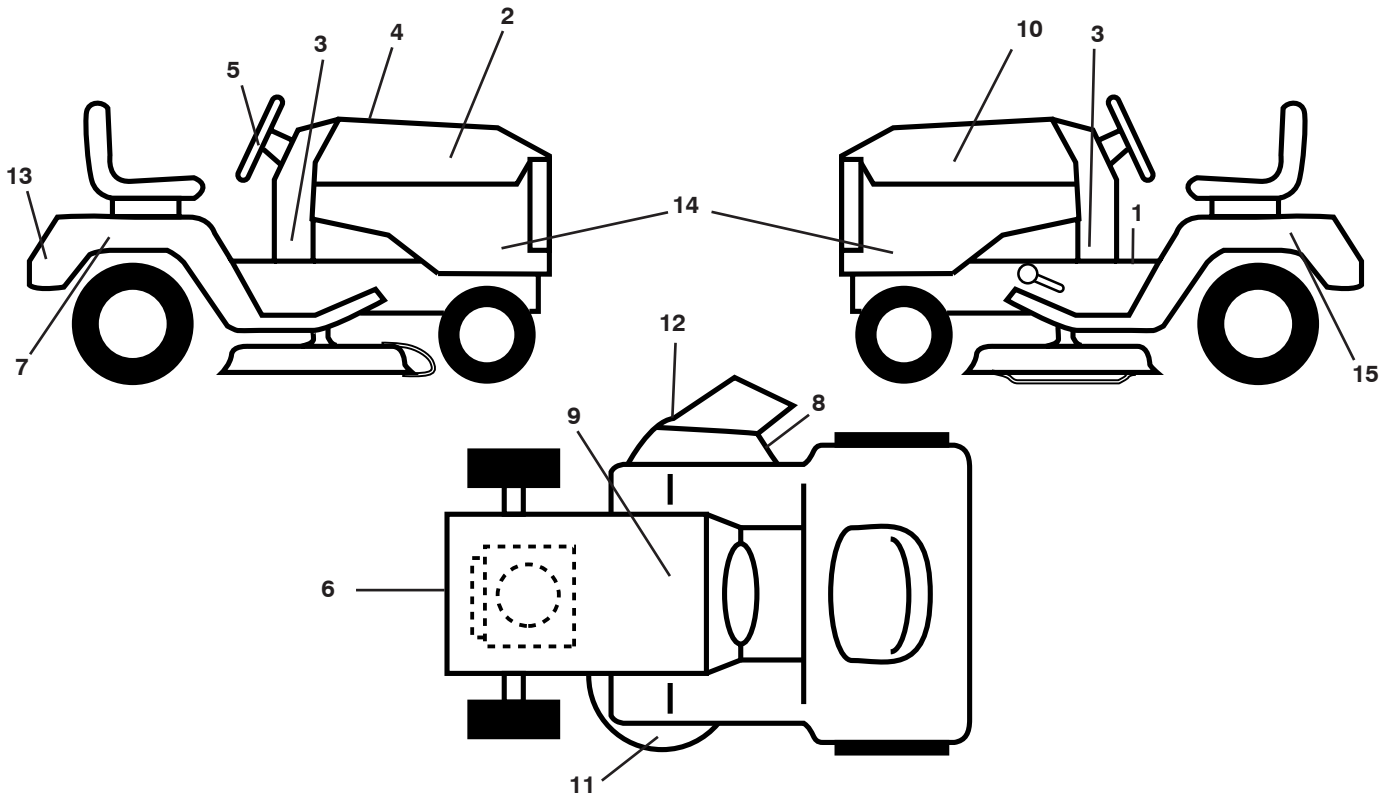
DASH HARNESS CONNECTOR (MATING SIDE)

WIRING INSULATED CLIPS
NOTE: IF WIRING INSULATED CLIPS WERE REMOVED FOR SERVICING OF UNIT, THEY SHOULD BE REPLACED TO PROPERLY SECURE YOUR WIRING.

●
NON-REMOVABLE CONNECTIONS

○
REMOVABLE CONNECTIONS

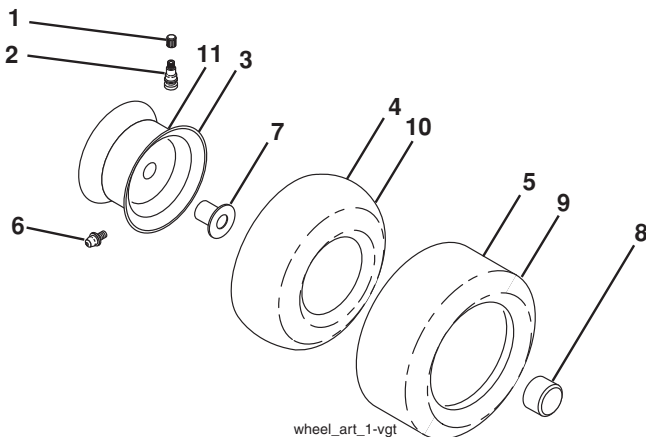
**TRACTOR - - MODEL NUMBER PBGT26H54 (96042004001), PRODUCT NO. 960 42 00-40
DECALS**



KEY NO.	PART NO.	DESCRIPTION
1	402104	Decal, Operator's
2	402355	Decal, Hood RH
3	402525	Decal, Dash Lower
4	412364	Decal, Replacement
5	172743	Decal, Strg Whl
6	408843	Decal, Engine HP
7	408948	Decal, Fender SD RH
8	198785	Decal, Mower Sch.
9	145005	Decal, Battery Dnge/Poi
10	402357	Decal, Hood LH

KEY NO.	PART NO.	DESCRIPTION
11	178502	Decal, Mower Caution
12	170563	Decal, Mower Warning Keep Hand Away
13	172740	Decal, Fender
14	408796	Decal, Panel SD
15	408949	Decal, Fender SD LH
--	166960	Decal, Bypass
--	193279X428	Pad, Footrest, LH
--	193101X428	Pad, Footrest, RH
--	409613	Manual, Operator's (Eng & French)
--	412389	Manual, Parts

WHEELS AND TIRES



KEY NO.	PART NO.	DESCRIPTION
1	59192	Cap, Valve, Tire
2	65139	Stem, Valve
3	106228X421	Rim Assembly, Front
4	59904	Tube, Front (Service Item Only)
5	106230X	Tire, Front
6	278H	Fitting, Grease (Front Wheel Only)
7	9040H	Bearing, Flange (Front Wheel Only)
8	104757X421	Cap, Axle (Front Wheel Only)
9	105588X	Tire, Rear
10	7152J	Tube, Rear (Service Item Only)
11	124074X421	Rim Assembly, Rear
--	144334	Sealant, Tire (10 oz. Tube)

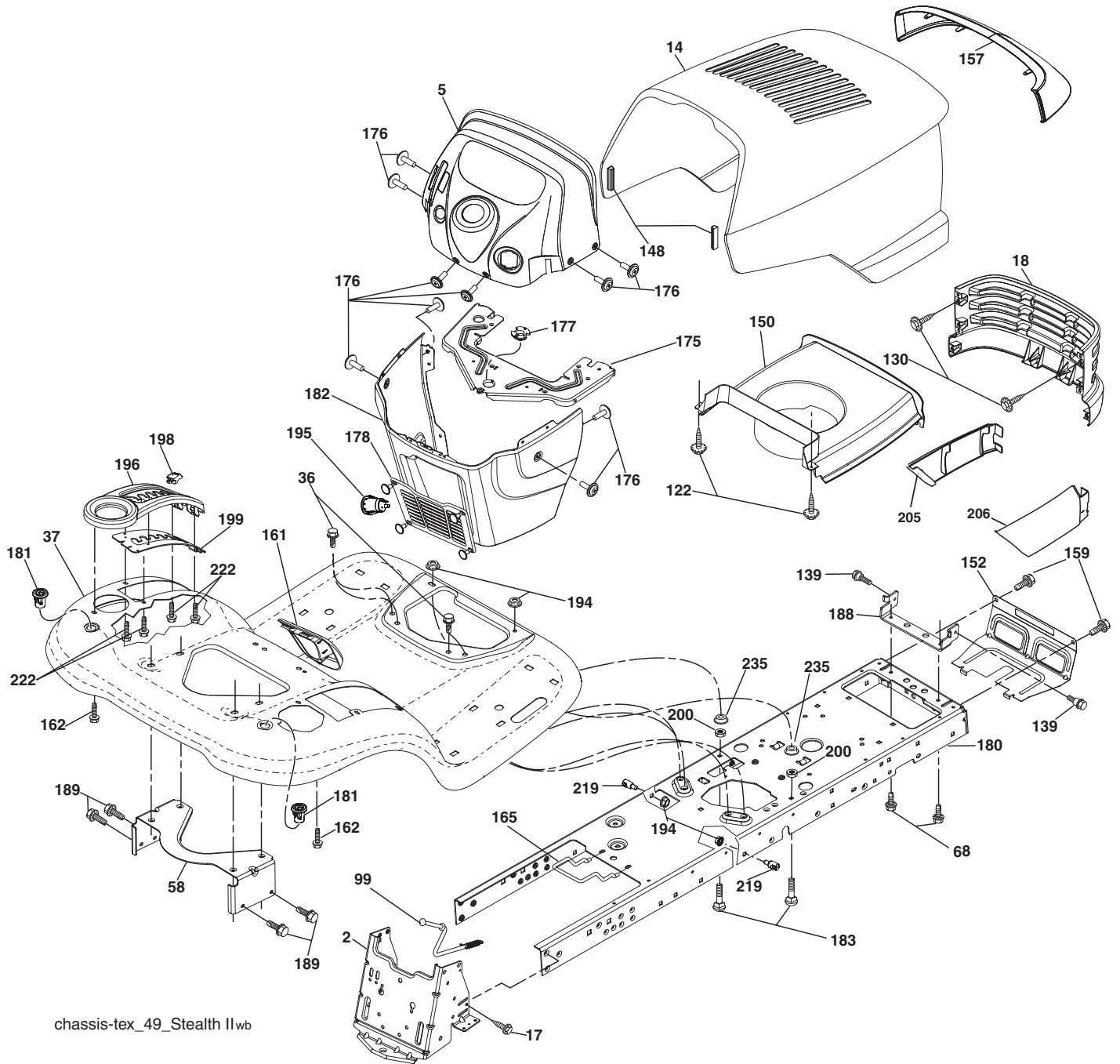
NOTE: All component dimensions given in U.S. inches
1 inch = 25.4 mm

**TRACTOR - - MODEL NUMBER PBGT26H54 (96042004001), PRODUCT NO. 960 42 00-40
ELECTRICAL**

KEY NO.	PART NO.	DESCRIPTION
1	144927	Battery
2	74760412	Bolt Hex Head 1/4-20 x 3/4
8	186491	Box Battery
16	176138	Switch Interlock Push-In
21	175688	Harness Socket Light W/4152J
22	4152J	Bulb Light
24	400253	Cable Battery
25	198893	Cable Start Red 17.5"
26	175158	Fuse
27	73510400	Nut Keps Hex 1/4-20 unc
28	145491	Cable, Ground
29	401545	Switch, Seat
30	193350	Switch, Ignition
33	140401	Key, Ignition
34	110712X	Switch Light / Reset
40	401104	Harness Ign. Dash
41	17720408	Screw Thd Cut 1/4-20 x 1/2
42	131563	Cover, Terminal
43	192507	Solenoid
46	401763	Gauge Hourmeter
50	174653	Switch, PTO
55	17490512	Screw Thdrol 5/16-18 x 3/4 TYTT
59	400303	Outlet 12-Volt
71	194276	Harness Ignition Chassis
79	175242	Bulbholder Asm. Incan Descent
90	400724	Cover Terminal Battery
91	190270	Strap Battery Mount Front
99	17670412	Screw Hexwsh Thdrol 1/4-20 x 3/4
100	19091416	Washer 9/32 x 7/8 x 16 Ga.
101	198317	Pigtail MATNLK
102	407962	Harness Pigtail 12V Outlet

NOTE: All component dimensions given in U.S. inches
1 inch = 25.4 mm

**TRACTOR - - MODEL NUMBER PBGT26H54 (96042004001), PRODUCT NO. 960 42 00-40
CHASSIS**



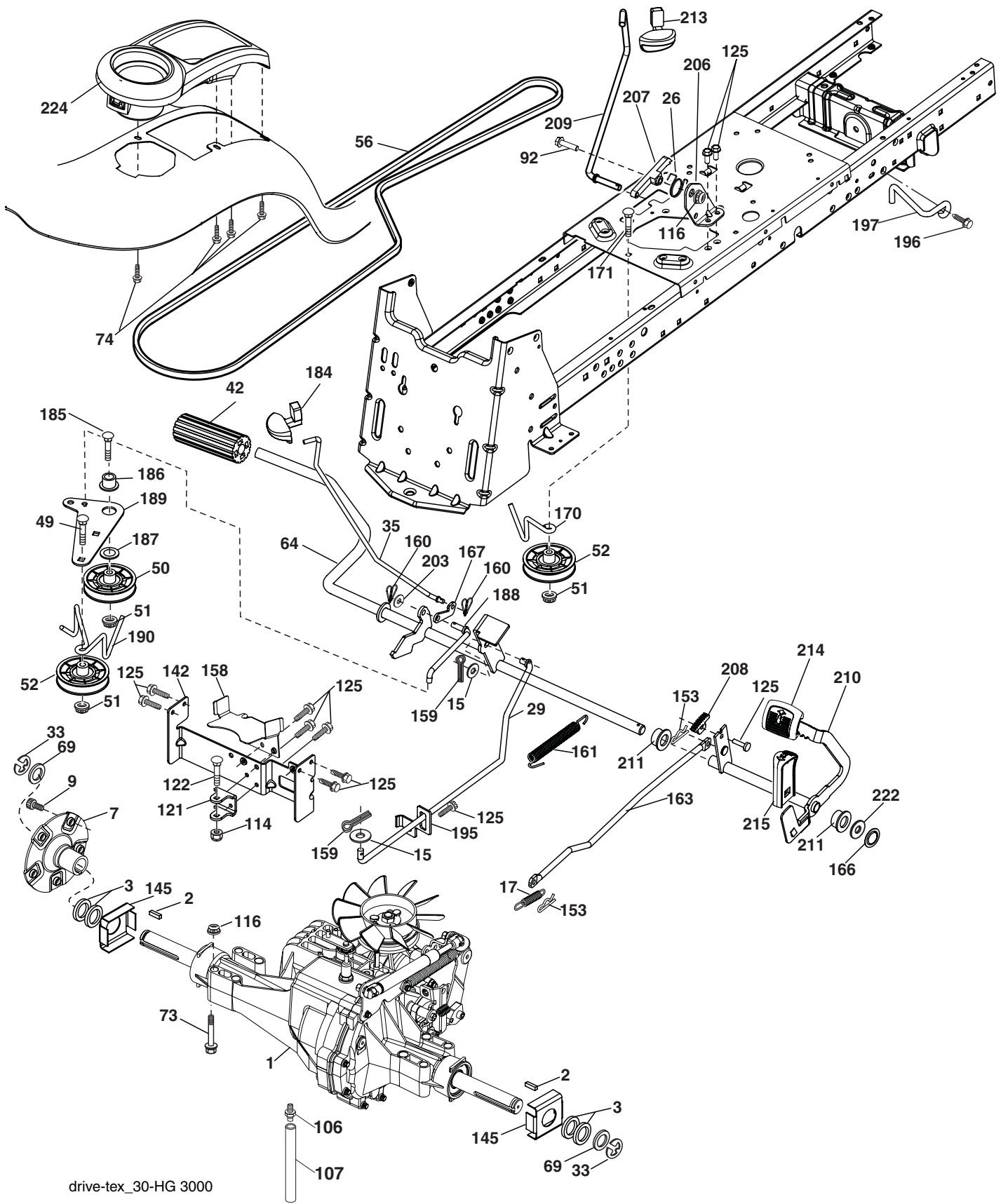
chassis-tex_49_Stealth II wb

**TRACTOR - - MODEL NUMBER PBGT26H54 (96042004001), PRODUCT NO. 960 42 00-40
CHASSIS**

KEY NO.	PART NO.	DESCRIPTION
2	194261	Drawbar
5	195102X428	Dash
14	175260X428	Hood
17	17060612	Screw 3/8-16 x .75
18	175289X428	Grille
36	17060512	Screw 5/16 - 18 x 3/4
37	400009X428	Fender
58	194314	Bracket Fender
68	17490508	Screw Thdrol 5/16-18 x 1/2
99	197273	Rod Bypass Asm.
122	192512	Screw WSHD Hex 10-32 x 5/8
130	191611	Screw 10 x 3/4 Single Lead-Hex
139	171873	Bolt Shoulder
148	164655	Bumper
150	175351	Duct Heat Hood
152	194329	Shield Browning/Debris
157	161840	Lens Bar
159	17000612	Screw Hexwsh Thdrol 3/8-16 x 3/4
161	193097X428	Console Fuel Window
162	142432	Screw Hex Wsh Hi-Lo 1/4 x 1/2
165	194330	Bracket Support Tank
175	193236	Crossmember
176	400776	Screw #10-24 x 5/8 Rnd Qudrx
177	195227	Bushing Steering
178	195651	Cargo Asm. Net
180	194260	Chassis
181	193102X428	Bushing Mtg. Fender Crgo.
182	192551	Dash Lower
183	74780520	Bolt Fin Hex 5/16-18UNC x 1-1/4
188	194316	Bracket Pickoff Hood
189	17000512	Screw 5/16-18 x 3/4
194	73900500	Nut Lock Hex Flange 5/16-18
195	400303	Outlet 12-Volt
196	193098X428	Console Asm. Deck Lift
198	197300X505	Indicator Deck Lift
199	196377	Plate Deck Lift
200	73930500	Nut Center Lock 5/16 - 18 UNC
205	169847X428	Skirt Hood RH
206	169848X428	Skirt Hood LH
219	195161	Stud Fastener
222	137729	Screw thd Roll 1/4-20 x 5/8
235	406129	Spacer Fender

NOTE: All component dimensions given in U.S. inches
1 inch = 25.4 mm

TRACTOR - - MODEL NUMBER PBGT26H54 (96042004001), PRODUCT NO. 960 42 00-40
DRIVE



drive-tex_30-HG 3000

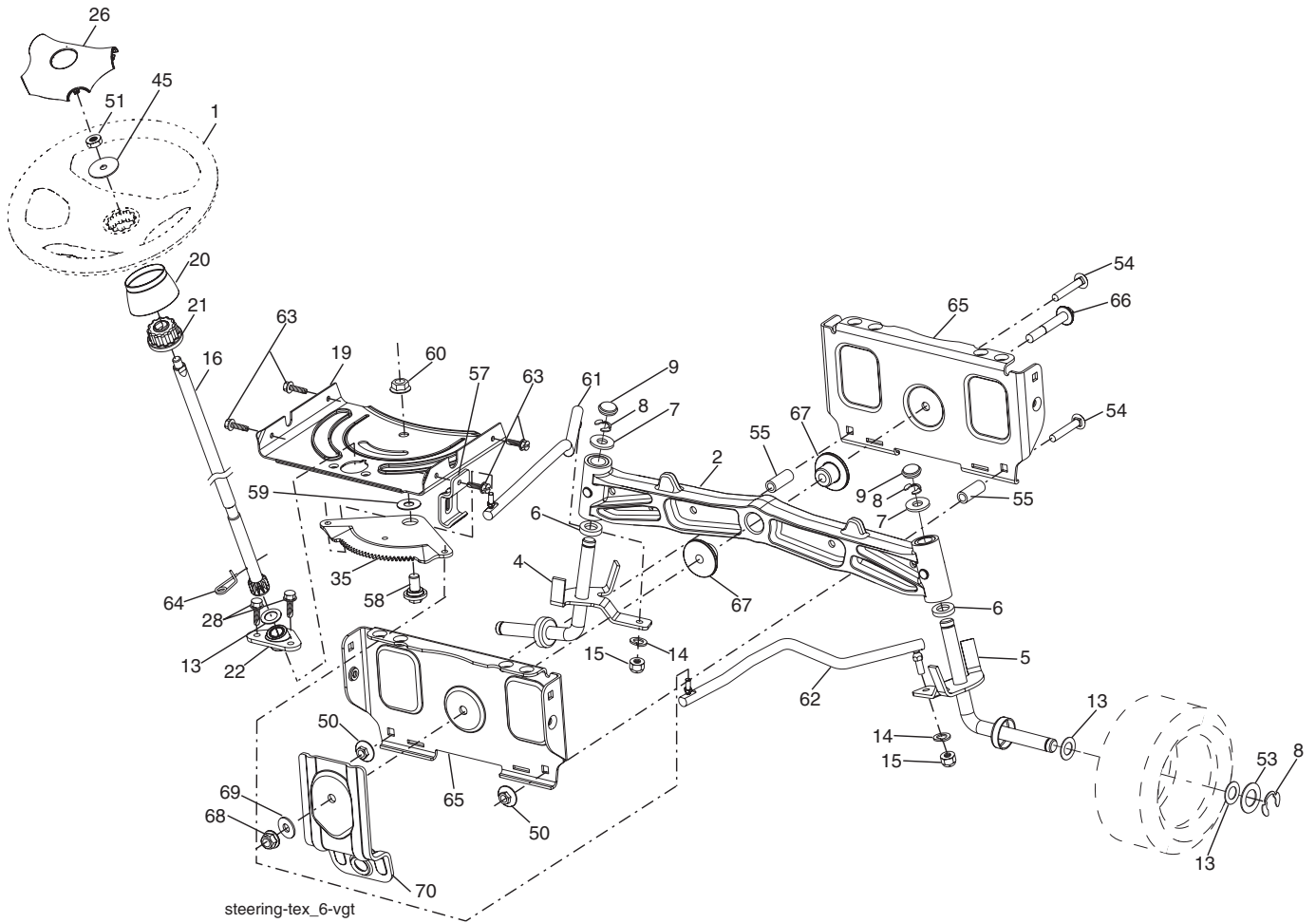
TRACTOR - - MODEL NUMBER PBGT26H54 (96042004001), PRODUCT NO. 960 42 00-40 DRIVE

KEY NO.	PART NO.	DESCRIPTION
1	-----	Transaxle, Hydro 347-3000 (Order Parts from Transaxle Manufacturer)
2	7070E	Key 1/4 x 2.5
3	7563R	Washer Thrust Axle Harden
7	199837	Hub Asm. Wheel
9	140080	Bolt Hub Wheel
15	19131316	Washer 13/32 x 13/16 x 16 Ga.
17	197296	Spring, Brake
26	199679	Spring Return Cruise
29	197269	Rod, Brake
33	12000053	Ring E #5133-100
35	197275	Rod, Brake, Park
42	8883R	Cover, Foot Pedal
49	72110614	Bolt
50	194327	Pulley Idler Flat
51	73900600	Lock Nut 3/8-16
52	194326	Idler V-Groove 910" Offset
56	165813	V-Belt, Drive
64	197865	Shaft Asm. Pedal Brake Control
69	123800X	Washer 1-1/32 x 1-5/8 x 16 GA
73	74490548	Bolt 5/16 - 18 x 3.0. G5
74	142432	Screw 1/4 x 1/2
92	74760520	Bolt Fin Hex 5/16-18 unc x 1.25
106	142917	Cap Asm. Vent
107	410481	Vent Tube
114	73800500	Nut Lock 5/16 x 18 UNC
116	73900500	Nut Lock Hex Flange 5/16-18
121	175611	Bracker Strap Torque
122	72010520	Bolt 5/16 - 18 x 2.50
125	17000512	Screw 5/16-18 x 3/4
142	404483	Strap Torque
145	163168	Washer Axle Flange
153	4497H	Retainer Spring 1"
158	194351	Keeper Belt T/A

KEY NO.	PART NO.	DESCRIPTION
159	76020412	Pin Cotter 1/8 x 3/4
160	169484	Retainer Clip
161	195403	Spring, Return, Clutch
163	197870	Rod Control Pedal
166	197290	Nut Push .625
167	405257	Latch Brake Parking
170	194322	Keeper Belt Centerspan
171	72110616	Bolt
184	195361X428	Handle Parking Brake
185	72110620	Bolt
186	194321	Spacer Retainer
187	19133210	Washer
188	194323	Link Clutch Ground Drive
189	194317	Bellcrank Ground Drive
190	194318	Keeper Bellcrank Ground Drive
195	405113	Retainer Rod Brake
196	17000616	Screw 3/8-16 x 1
197	199769	Bracket Clutch Anti-Rotation
203	19111116	Washer 11/32 x 11/16 x 16 Ga.
206	197867	Bracket Mount Latch Cruise
207	197868	Latch Control Cruise
208	197869	Gear Sector Control Cruise
209	199466	Rod Control Cruise
210	197860	Rocker Asm. Pedal Control
211	120183X	Bearing Nylon Blk .629
213	195352X428	Knob Control Cruise
214	197302X428	Pedal Forward
215	197301X428	Pedal Reverse
222	19212010	Washer 21/32 x 1-1/4 x 10 Ga.
224	193099X428	Console Toolbox

NOTE: All component dimensions given in U.S. inches
1 inch = 25.4 mm

**TRACTOR - - MODEL NUMBER PBGT26H54 (96042004001), PRODUCT NO. 960 42 00-40
STEERING ASSEMBLY**

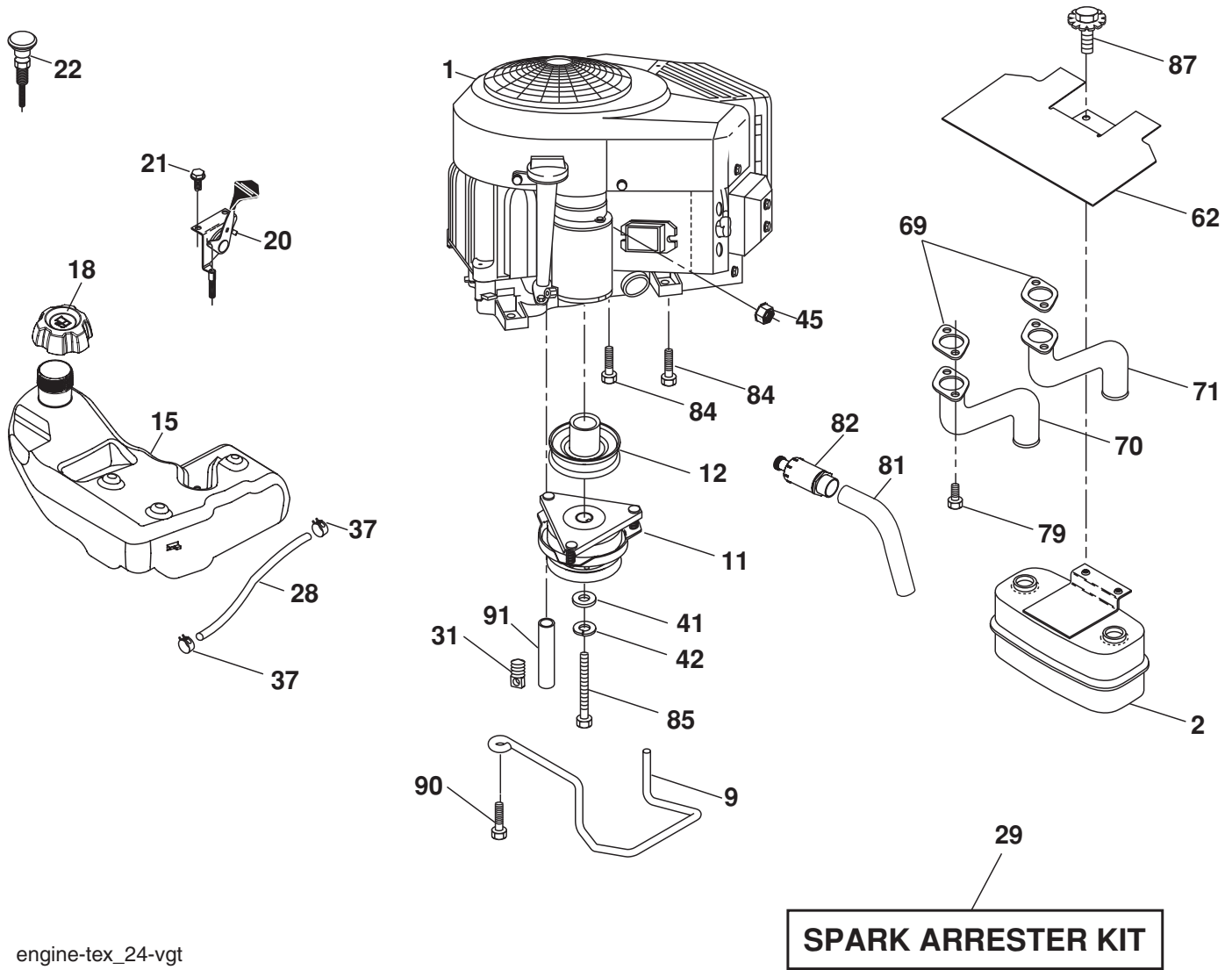


**TRACTOR - - MODEL NUMBER PBGT26H54 (96042004001), PRODUCT NO. 960 42 00-40
STEERING ASSEMBLY**

KEY NO.	PART NO.	DESCRIPTION
1	186093X428	Wheel, Steering
2	195968	Axle Asm., Front
4	403089	Spindle Asm., LH
5	403090	Spindle Asm., RH
6	6266H	Bearing, Race Thrust Harden
7	121748X	Washer 25/32 x 1-5/8 x 16 Ga.
8	12000029	Ring, Klip #T5304-75
9	121232X	Cap, Spindle
13	121749X	Washer 25/32 x 1-1/4 x 16 Ga.
14	10040600	Washer, Lock Hvy Hlcl Spr 3/8
15	73540600	Nut, Crown Lock 3/8-24 unf
16	408219	Shaft Steering
19	194729	Plate Steering
20	195626X428	Boot, Steering
21	186737	Adapter, Wheel Steering
22	194845	Bushing, Strg. Blk
26	186095X428	Insert, Wheel Steering
28	17000612	Screw 3/8-16 x 3/4
35	194732	Gear, Sector Plate
45	19183812	Washer 9/16 x 2-3/8 x 12 Ga.
50	73900600	Nut Lock Flg. 3/8-16 unc
51	73940800	Nut Hex Jam Toplock 1/2-20 unf
53	188967	Washer Hardened .793 x 1.637 x .060
54	74760636	Bolt Hex Hs 3/8-16 unc x 2-1/4
55	197636	Spacer Brace Axle
57	197246	Bracket Upstop
58	194747	Bolt Shoulder Sector Pivot CFM
59	194748	Washer Thrust Sector Steering
60	73971000	Nut Flange Lock 5/8-11
61	194740	Draglink LH
62	194741	Draglink, RH
63	17000512	Screw 5/16-18 x 3/4
64	199849	Retainer Clip Spring Steering
65	194734	Brace Axle Front
66	71020748	Bolt Hex Fghd 7/16-14 x 3 Serr
67	194737	Bushing PM Front Axle
68	73900700	Nut Lock Flange 7/16-14 Gr. 5
69	199162	Washer 1.5 x .505 x .118
70	196197	Bracket Deck Susp. Front

NOTE: All component dimensions given in U.S. inches
1 inch = 25.4 mm

TRACTOR - - MODEL NUMBER PBGT26H54 (96042004001), PRODUCT NO. 960 42 00-40
ENGINE



engine-tex_24-vgt

**TRACTOR - - MODEL NUMBER PBGT26H54 (96042004001), PRODUCT NO. 960 42 00-40
ENGINE**

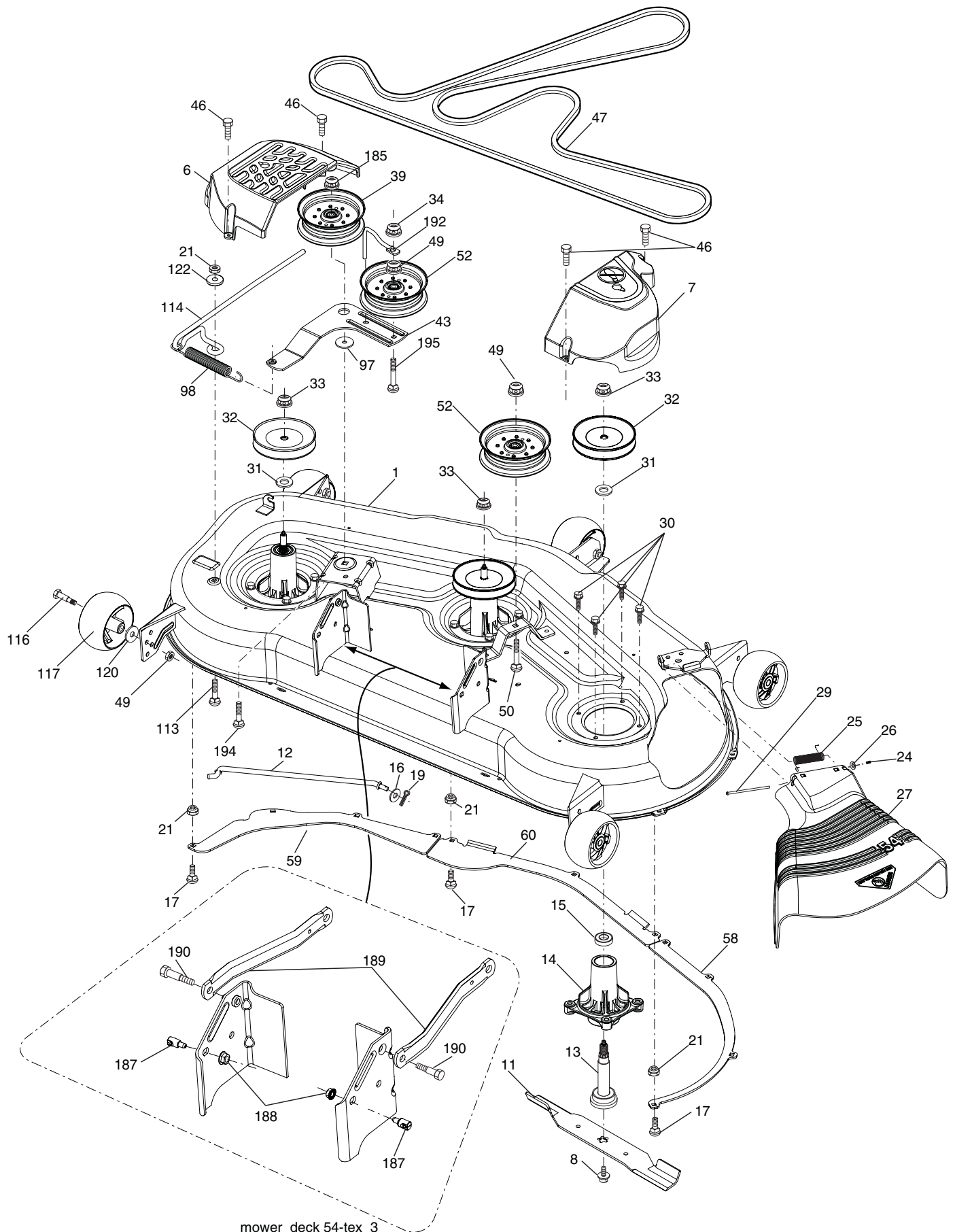
KEY NO.	PART NO.	DESCRIPTION
1	- - - - -	Engine B&S Model No. 445877-0760-E1
2	149723	Muffler
9	194320	Keeper Asm. Belt Engine
11	179335	Clutch Electric
12	194343	Pulley Engine
15	193499	Tank Fuel 4.0
18	195951	Cap Asm
20	175437X421	Control Throttle
21	191611	Screw 10 x 3/4 Single Lead-Hex
22	187767X428	Control Choke
28	401135	Fuel Line
29	137180	Spark Arrester Kit
31	145006	Clip Push-In Hinged
37	123487X	Clamp Hose
41	126197X	Washer 1-1/2 OD x 15/32 ID x .250
42	10040700	Washer Lock 7/16
45	73510400	Nut Keps Hex 1/4-20 unc
62	146629	Shield Heat Muffler
69	165391	Gasket
70	159955	Tube Exhaust LH
71	160589	Tube Exhaust RH
79	183906	Screw Socket Head
81	148456	Tube Drain Oil Easy
82	181654	Plug Drain Oil
84	17060620	Screw 3/8-16 x 1-1/4
85	179953	Bolt Hex 7/16-20 x 3.75 Gr. 5
87	198239	Bolt 5/16-18 unc x 1 w/Sems
90	17000616	Screw 3/8-16 x 1
91	187495	Bushing

NOTE: All component dimensions given in U.S. inches
1 inch = 25.4 mm

Engine Power Rating Information

The gross power rating for individual gas engine models is labeled in accordance with SAE (Society of Automotive Engineers) code J11940 (Small Engine Power & Torque Rating Procedure), and rating performance has been obtained and corrected in accordance with SAE J1995 (Revision 2002-5). Actual gross engine power will be lower and is affected by, among other things, ambient operating conditions and engine-to-engine variability. Given both the wide array of products on which engines are placed and the variety of environmental issues applicable to operating the equipment, the gas engine will not develop the rated gross power when used in a given piece of power equipment (actual "on-site" or net horsepower). This difference is due to a variety of factors including, but not limited to, accessories (air cleaner, exhaust, charging, cooling, carburetor, fuel pump, etc.), application limitations, ambient operating conditions (temperature, humidity, altitude), and engine-to-engine variability. Due to manufacturing and capacity limitations, Briggs & Stratton may substitute an engine of higher rated power for this Series engine.

TRACTOR - - MODEL NUMBER PBGT26H54 (96042004001), PRODUCT NO. 960 42 00-40
MOWER DECK



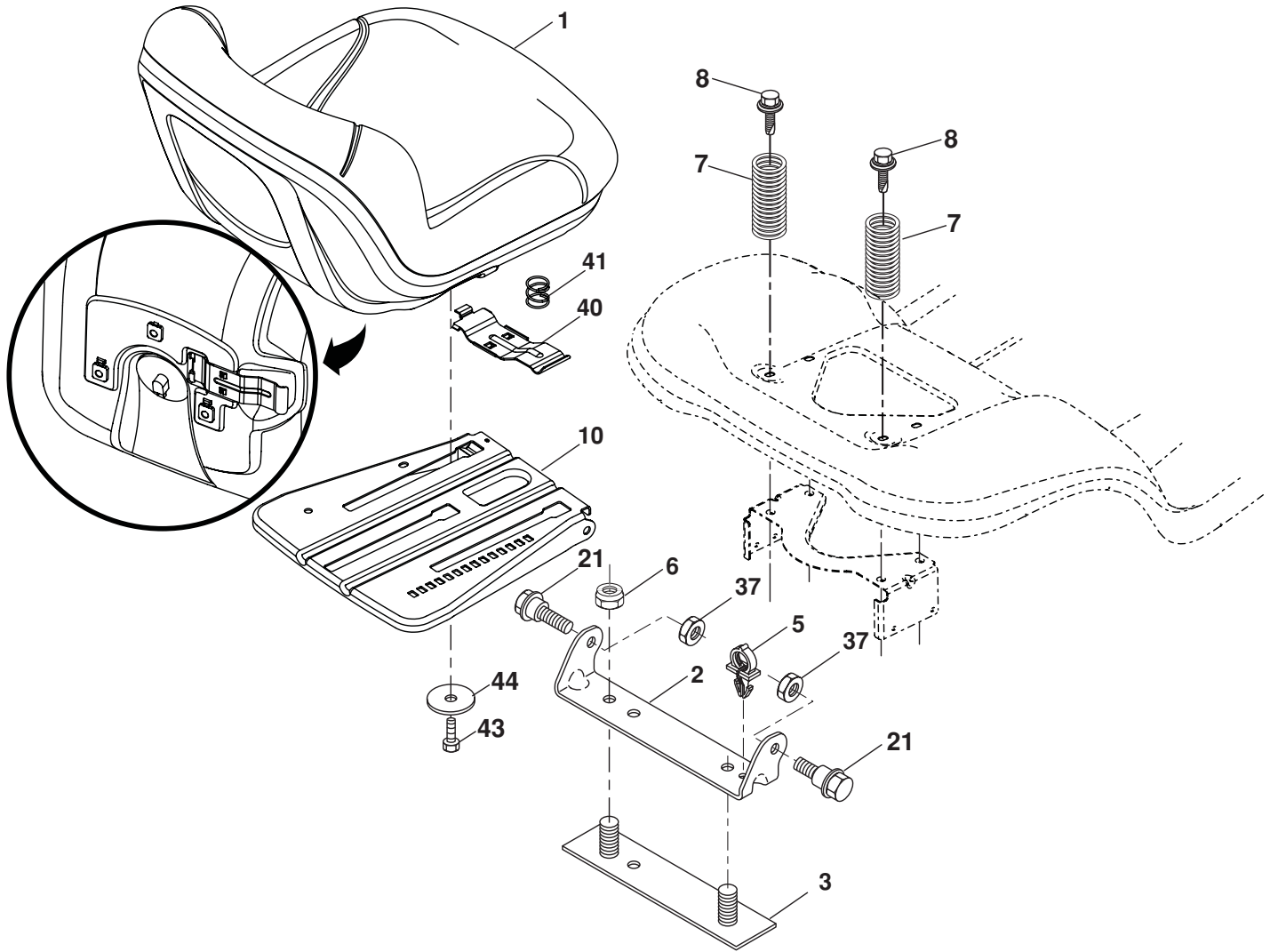
mower_deck 54-tex_3

**TRACTOR - - MODEL NUMBER PBGT26H54 (96042004001), PRODUCT NO. 960 42 00-40
MOWER DECK**

KEY NO.	PART NO.	DESCRIPTION	KEY NO.	PART NO.	DESCRIPTION
1	195632X421	Deck Weldment Mower	50	72110616	Bolt Rdhd Sqnk 3/8-16 unc x 2
6	196066	Cover Mandrel LH	52	196106	Pulley Idler Clutching
7	197181	Cover Mandrel RH	58	187342	Baffle Right
8	174365	Bolt 7/16 Asm. Blade	59	187344	Baffle Left
--	187255	Blade Mulching	60	187607	Baffle Center
11	187254	Blade HD/HP	97	178515	Washer Hardened
12	400337	Rod Anti-Sway	98	196105	Spring Drive
13	187291	Shaft Asm. w/Lower Bearing	113	72110508	Bolt Rdhd Sqnk 5/16-18 x 3/4
14	187281	Housing, Mandrel	114	187556	Rod Tension Relief
15	110485X	Bearing, Ball, Mandrel	116	193406	Bolt, Shoulder
16	19131312	Washer 13/32 x 13/16 x 12 Ga.	117	174873	Gauge Wheel
18	72140505	Bolt 5/16-18 x 5/8	120	19132012	Washer 13/32 x 1-1/4 x 12 Ga.
19	194208	Pin Cotter 5/16 Bow Tie Lock	122	187557	Bushing Tension Relief
21	73680500	Nut, Crownlock 5/16-18 unc	184	73900500	Nut Lock Hex Flange 5/16-18
24	105304X	Cap Sleeve	185	73900700	Nut Lock Flange 7/16-14 Gr. 5
25	178102	Spring, Torsion	187	195161	Stud Fastener w/"D" Anti-Rotation
26	110452X	Nut, Push	189	195185	Arm Susp. Mower Rear
27	187257X428	Deflector Shield	190	196539	Bolt Shoulder
29	131491	Rod, Hinge	192	198468	Keeper Belt Idler
30	173984	Screw, Thdroll Washer Head	194	72140716	Bolt Carr Sqnk 3/8-16 x 2-1/4
31	187690	Washer, Spacer Mower Vented	196	72140620	Bolt 3/8-16x 2-1/2 G5
32	173436	Pulley, Mandrel	--	187254	High Lift
33	400234	Nut, Flg. Top Lock	--	187292	Mandrel Asm. Service (Includes Key Nos. 13-15 and 33)
34	73680600	Nut Crownlock 3/8-16 unc	--	197701	Replacement Mower, Complete
39	196104	Pulley, Idler, Stationary			
43	196065	Arm, Idler			
46	137729	Screw, Thdroll. 1/4-20 x 5/8			
47	196103	V-Belt, Mower			
49	73900600	Nut, Lock Flg. 3/8-16 unc			

NOTE: All component dimensions given in U.S. inches
1 inch = 25.4 mm

**TRACTOR - - MODEL NUMBER PBGT26H54 (96042004001), PRODUCT NO. 960 42 00-40
SEAT ASSEMBLY**



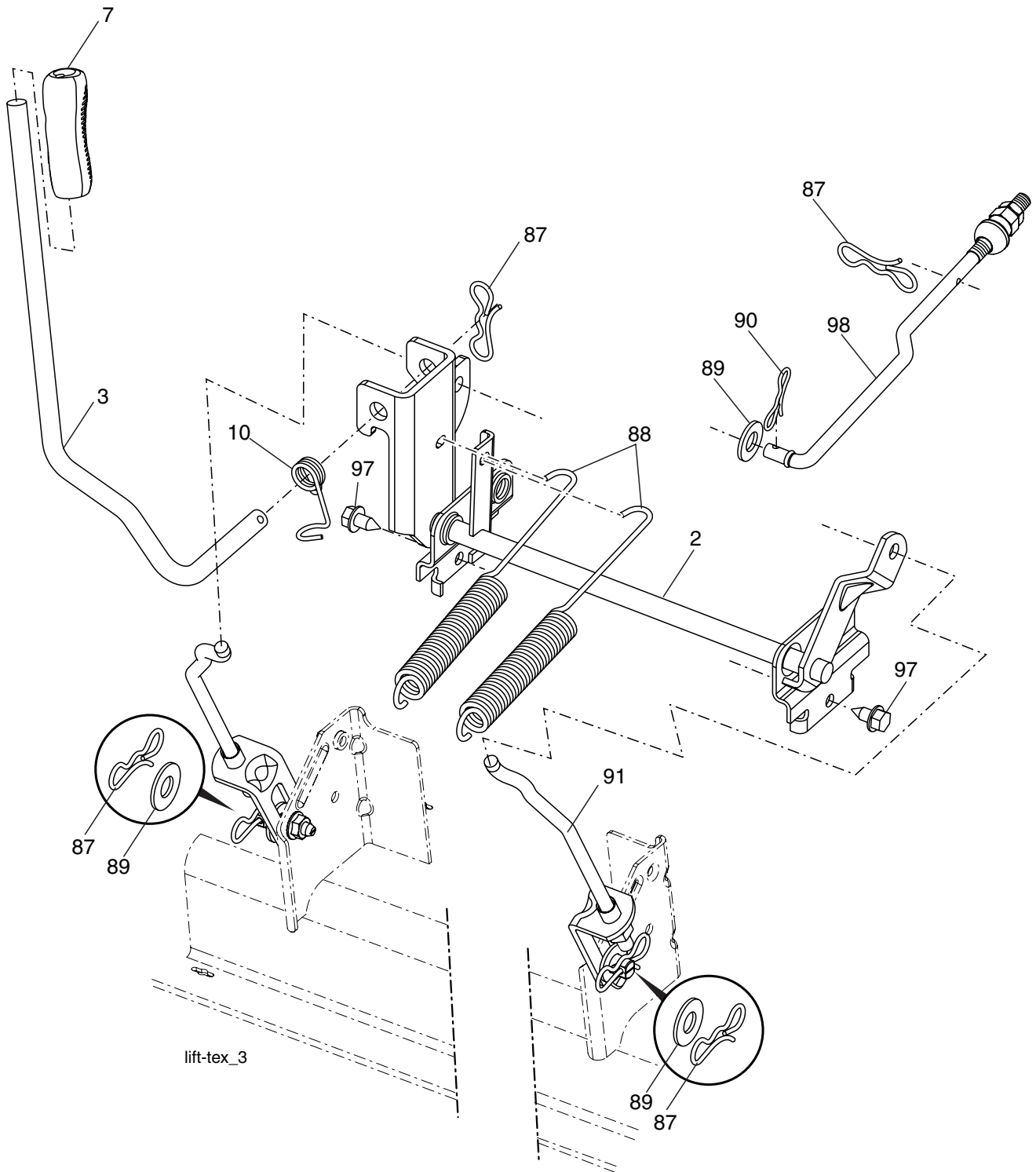
seat-tex_7-vgt

KEY NO.	PART NO.	DESCRIPTION
1	406623	Seat
2	180166	Bracket Pivot Fender
3	140675	Strap, Asm Fender
5	145006	Clip, Push In, Hinged
6	73800600	Nut, Lock W/Ins. 3/8-16 unc
7	124181X	Spring, Seat Cprsn
8	171877	Bolt 5/16-18 uncx 3/4 w/Sems
10	196977	Pan, Seat

KEY NO.	PART NO.	DESCRIPTION
21	171852	Bolt, Shoulder 5/16-18
37	73800500	Nut, Lock 5/16-18 unc
40	197661	Handle Slide Seat
41	198200	Spring Latch Seat
43	74760612	Bolt Fin Hex 3/8-16 unc x 3/4
44	19133812	Washer 13/32 x 2-3/8 x 12 Ga.

NOTE: All component dimensions given in U.S. inches
1 inch = 25.4 mm

**TRACTOR - - MODEL NUMBER PBGT26H54 (96042004001), PRODUCT NO. 960 42 00-40
MOWER LIFT**



KEY NO.	PART NO.	DESCRIPTION
2	195223	Shaft Asm., Lift
3	195230	Lever Asm., Lift Rh
7	196492X421	Grip, Lever
10	196314	Spring Torsion
87	194209	Pin Cotter 7/16 Bow Tie Lock
88	195304	Spring Lift Assist

KEY NO.	PART NO.	DESCRIPTION
89	19191912	Washer Clear Zinc
90	194208	Pin Cotter 5/16 Bow Tie Lock
91	403407	Link Lift Susp Mower Rear
97	17060612	Screw 3/8-16 x .75 Smgml Tap/R.Z
98	195264	Link Lift Susp. Front Mower

NOTE: All component dimensions given in U.S. inches
1 inch = 25.4 mm