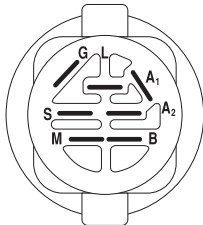
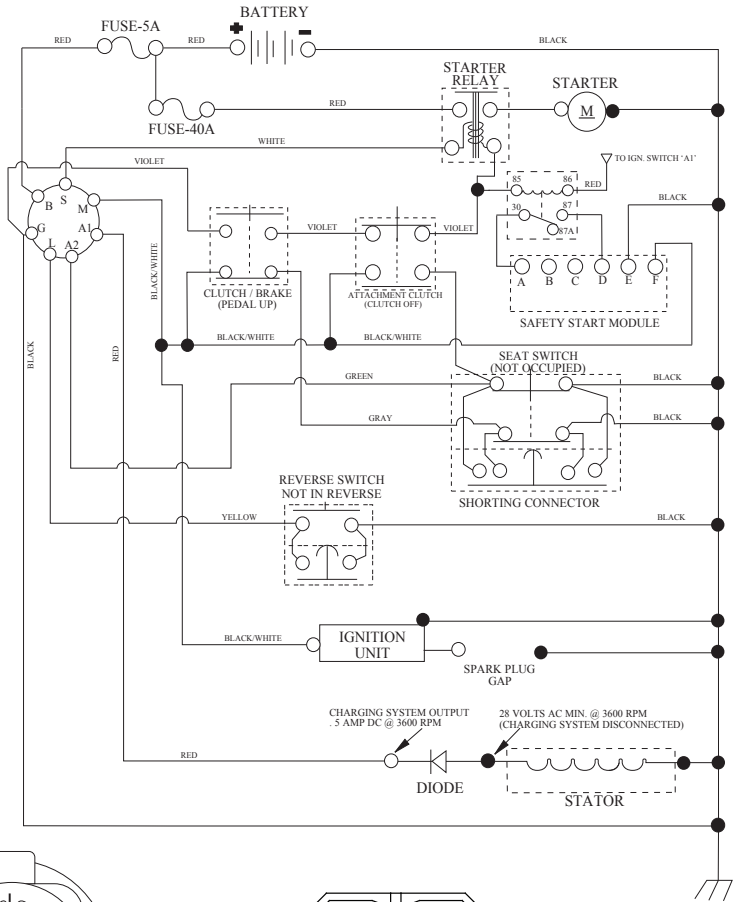


RIDING MOWER SCHEMATIC

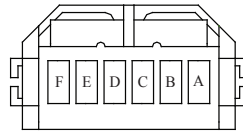
MODEL NUMBER WE261 (96028000102) PRODUCT NUMBER 960 28 00 01

SCH21



IGNITION SWITCH

POSITION	CIRCUIT	"MAKE"
OFF	M+G+A1	
RUN/OVERRIDE	B+A1	
RUN	B+A1	L+A2
START	B + S + A1	

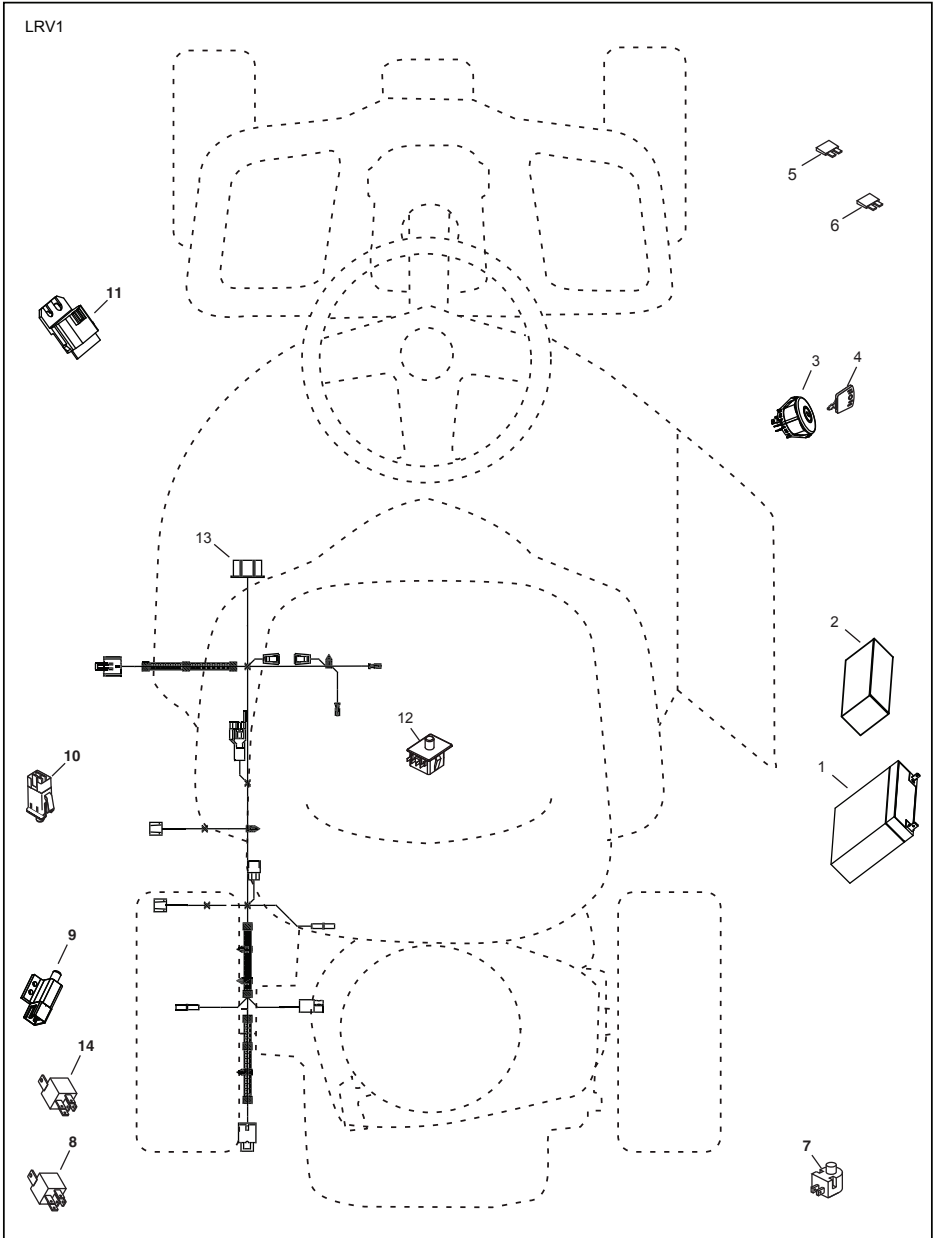


SAFETY START MODULE
VIEWED FROM MATING SIDE

WIRING INSULATED CLIPS
NOTE: IF WIRING INSULATED CLIPS WERE REMOVED FOR SERVICING OF UNIT, THEY SHOULD BE RE-INSTALLED TO PROPERLY SECURE YOUR WIRING.

○
REMOVABLE
CONNECTIONS

●
NON-REMOVABLE
CONNECTIONS

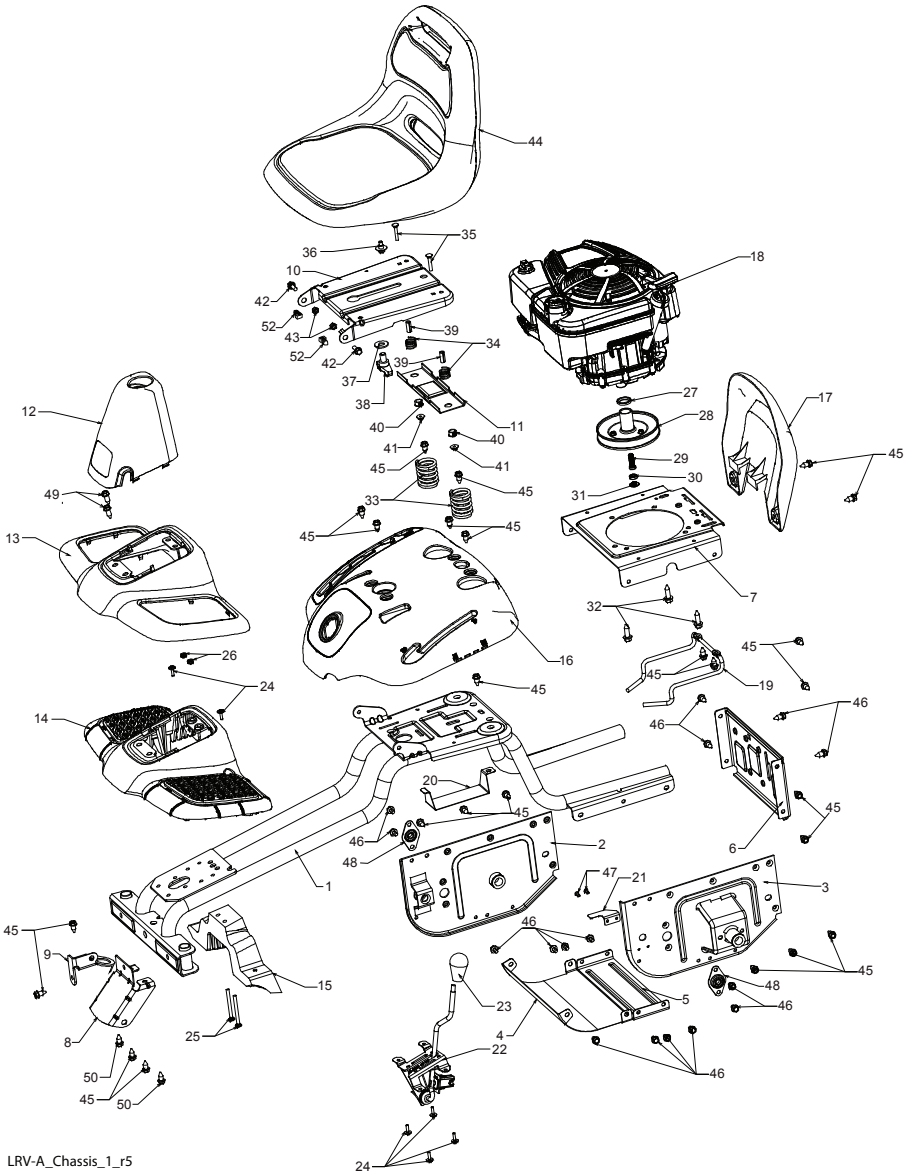


KEY PART NO.	PART NO.	DESCRIPTION
1	532 43 70-70	BATTERY
2	532 42 54-16	FOAM, POLYURETHANE
3	532 19 33-50	SWITCH, IGN, DLTA, P-IN, ROS
4	532 41 19-33	KEY/CHAIN
5	532 43 33-30	FUSE, 5A
6	532 42 59-37	FUSE, 40A
7	532 16 07-84	SWITCH, PLUNGER, NO, OLIVE
8	532 43 15-42	RELAY, 40A
9	532 10 95-53	SWITCH, INTLK,CL, MWR, GRY
10	532 17 61-38	SWITCH, INTERLOCK, NONC,GRAY
11	532 43 18-46	MODULE, STARTING, RECOIL, LRV
12	532 19 27-49	SWITCH, SEAT, DP, ROS
13	532 42 84-77	HARNES, IGN, ELECTSTART, LRV
14	532 10 97-48	RELAY

NOTE: All component dimensions given in U.S. inches
1 inch = 25.4 mm

RIDING MOWER
CHASSIS

MODEL NUMBER WE261 (96028000102)
PRODUCT NUMBER 960 28 00 01



LRV-A_Chassis_1_r5

**RIDING MOWER
CHASSIS**

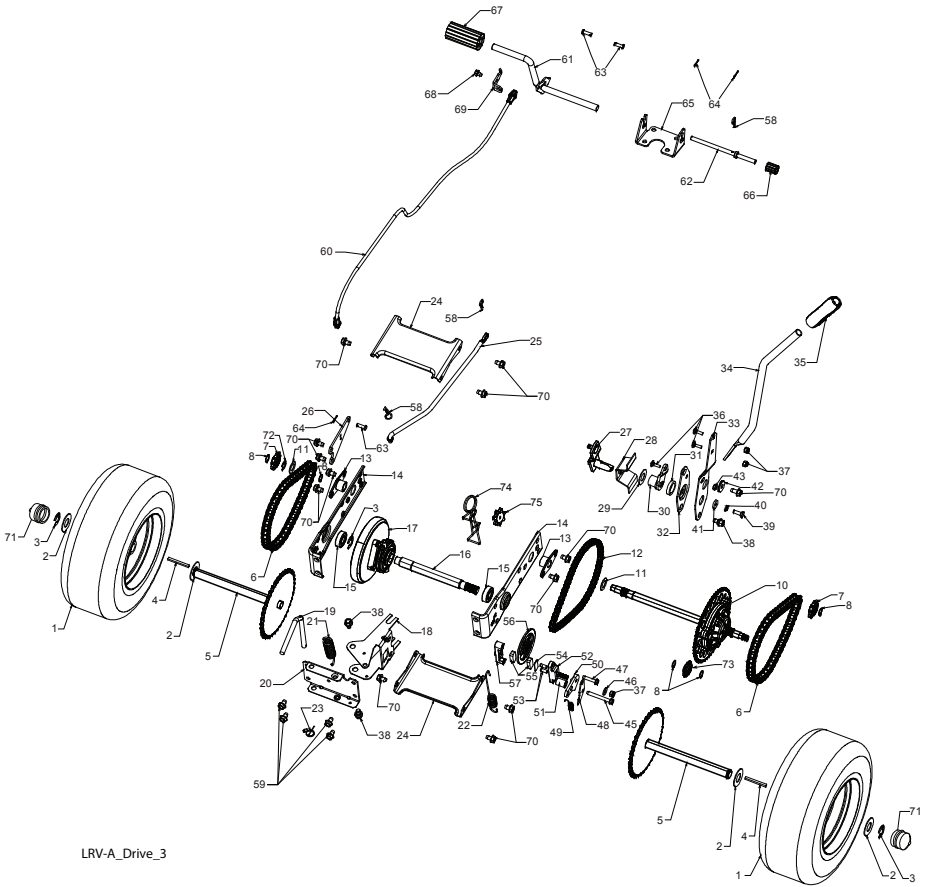
**MODEL NUMBER WE261 (96028000102)
PRODUCT NUMBER 960 28 00 01**

KEY PART NO. NO.	DESCRIPTION
1 532 42 80-48	WELDMENT, CHASSIS
2 532 42 82-44	SUPPORT, AXLE RH
3 532 42 82-47	SUPPORT, AXLE LH
4 532 42 83-46	SHIELD, TRANSAXLE FRONT
5 532 42 81-10	BRACE, AXLE CROSS
6 532 42 81-09	COVER, FRICTION DRIVE
7 532 42 80-40	PLATE, ENGINE
8 532 42 85-76	BRACKET, CHASSIS FRONT
9 532 42 88-56	BRACKET, STEERING SUPPORT
10 532 19 55-30	PAN, SEAT
11 532 17 46-48	BRACKET, SWITCH MOUNTING
12 532 42 82-48	BOOT, DUST
13 532 43 64-96	COVER, FOOT REST
14 532 42 82-50	STRUCTURE, FOOT REST
15 532 42 82-49	SUPPORT, FOOT REST
16 532 43 64-97	FENDER, CONTROL
17 532 42 83-48	GUARD, ENGINE
18 - - - - -	ENGINE 12S907-2463-B1 (440885)(ORDER PARTS FROM ENGINE MANUFACTURER.)
19 532 42 89-86	KEEPER, BELT
20 532 42 80-46	BRACKET, BATTERY
21 532 42 98-15	LEVER, SWITCH
22 532 42 88-26	DECK CLUTCH ASM
23 532 14 98-46	KNOB
24 532 41 63-58	SCREW, NO. 10
25 872 14 04-24	BOLT, CARRIAGE 1/4-20 X 3
26 873 51 04-00	NUT, 1/4-20
27 532 43 00-87	SPACER, ENGINE
28 532 42 83-01	DISC, FRICTION ASM
29 532 43 08-17	BOLT, SCKT HD 3/8-24 X 1 .25
30 532 43 04-70	BEARING
31 532 43 73-22	SPACER, NEUTRAL
32 817 49 05-06	BOLT, HEX WSH HD 5/16-18 X 3/8
33 532 12 41-81	SPRING, SEAT
34 532 12 12-50	SPRING
35 872 05 04-12	BOLT, 1/4-20 X 1 1/2
36 532 12 70-18	BOLT, SHOULDER
37 819 17 19-12	WASHER, 17/32 X 1 3/16
38 532 16 63-69	KNOB, SEAT
39 532 13 43-00	SPACER
40 532 12 12-48	BUSHING, NYLON SNAP
41 532 12 39-76	NUT, LOCK
42 532 17 18-52	BOLT, 5/16-18 SHOULDER
43 873 80 05-00	NUT, 5/16-18
44 532 44 06-91	SEAT
45 817 00 05-12	BOLT, 5/16-18 X 3/4
46 817 49 05-08	BOLT, 5/16-18 X 1/2
47 532 08 67-77	SCREW
48 532 40 89-81	BEARING, FLANGE, BALL
49 817 06 05-16	SCREW, 5/16-18 X1
50 532 16 54-92	BOLT, SHOULDER, 5/16-18 X .561
52 532 14 50-06	CLIP PUSH-IN HINGED

NOTE: All component dimensions given in U.S. inches
1 inch = 25.4 mm

RIDING MOWER
DRIVE

MODEL NUMBER WE261 (96028000102)
PRODUCT NUMBER 960 28 00 01



LRV-A_Drive_3

**RIDING MOWER
DRIVE**

**MODEL NUMBER WE261 (96028000102)
PRODUCT NUMBER 960 28 00 01**

KEY PART

NO.	NO.	DESCRIPTION
--	532 43 61-44	SERVICE KIT, TRANSAXLE
1	532 43 64-98	WHEEL ASM (REAR)
2	532 12 17-48	WASHER, 16 GA.
3	812 00 00-01	E-CLIP
4	532 12 35-83	KEY, SQUARE
5	532 42 79-39	WELDMNT. DRIVE AXLE
6	532 42 80-69	CHAIN DRIVE
7	532 42 78-73	SPROCKET, 9 TOOTH SPLINED
8	812 10 00-09	RING, SNAP
10	532 42 88-76	DIFFERENTIAL ASM
11	532 00 13-70	WASHER, THRUST
12	532 43 06-45	CHAIN, PRIMARY DRIVE
13	532 43 08-45	BUSHING
14	532 43 85-68	BRACKET, CARRIER
15	532 12 47-93	BEARING ASM
16	532 42 79-26	SHAFT INPUT
17	532 43 72-81	WHEEL, FRICTION A5M
18	532 42 47-59	ARM, SHIFT
19	532 43 08-70	ROD, BYPASS
20	532 42 79-97	BRACE CARRIER REAR
21	532 42 80-77	SPRING, CARRIER
22	532 42 80-76	SPRING, BRAKE
23	532 43 13-74	SPRING, BYPASS
24	532 42 79-95	BRACE CARRIER BOX
25	532 42 83-03	LINK, SHIFT
26	532 42 98-16	ARM, CLUTCH
27	532 42 90-53	WELDMNT SHIFT LEVER
28	532 42 83-02	SUPPORT, SHIFT LEVER
29	532 17 48-40	WASHER, NYLON
30	532 44 43-04	HUB SHIFT LEVER
31	532 42 90-55	SPACER, NYLON
32	532 42 84-64	MNTG BRKT. SHIFT ARM
33	532 42 84-61	BRACKET, SHIFTER FLEX
34	532 42 84-62	TUBE SHIFT ARM
35	532 41 15-55	GRIP, HANDLE
36	872 11 04-06	BOLT, CARRIAGE - 114-20X3/4
37	873 80 04-00	NUT NYLON LOCK 114-20
38	532 16 54-92	BOLT, SHOULDER
39	874 78 04-12	BOLT, 1/4-20 X 3/4

KEY PART

NO.	NO.	DESCRIPTION
40	810 04 04-00	WASHER, LOCK
41	819 09 12-10	WASHER FLAT
42	532 16 60-02	WASHER, SERRATED
43	873 68 04-00	NUT, CROWN LOCK 114-20
45	817 49 04-36	SCREW 1/4-20 X 2 114
46	819 09 10-16	WASHER
47	817 49 04-20	SCREW, 1/4-20 X 1 1/2
48	532 43 02-49	PLATE BRAKE ANTI - ROTATE
49	532 43 02-45	SPRING, BRAKE RETURN
50	532 42 80-21	ARM, BRAKE
51	532 43 02-47	SPACER RETURN
52	532 42 80-78	CALIPER, BRAKE ASM
53	877 01 08-10	PIN, DOWEL 1/4
54	532 42 80-19	PLATE, BRAKE PAD
55	532 42 80-17	PUCK BRAKE
56	532 43 52-53	ROTOR, BRAKE
57	532 42 80-16	CAP, BRAKE CALIPER
58	532 12 47-88	PIN, RETAINER
59	817 49 05-08	BOLT, 5/16-16 X 112
60	532 44 08-55	CABLE, BRAKE
61	532 42 79-45	WELDMNT, PEDAL
62	532 42 96-78	ROD, PARKING BRAKE
63	877 10 08-12	PIN, .25 X .75 CLEVIS
64	532 42 10-76	PIN, COTTER 5/64 X 3/4
65	532 42 93-25	BRACKET, BRAKE SUPPORT
66	532 42 96-94	COVER PEDAL
67	532 42 96-93	COVER, BRAKE PEDAL
68	817 49 04-06	SCREW, 1/4-20 X 3/8
69	532 42 80-70	BRAKE CABLE MOUNT
70	817 00 05-12	BOLT, 5/16-18 X 3/4
71	532 43 64-99	CAP HUB AXLE
72	812 00 00-02	E RING #5133-62
73	532 42 95-19	SPROCKET II TOOTH SPLINED
74	532 43 78-41	TENSION LRV CHAIN
75	532 43 34-95	SPROCKET IDLER

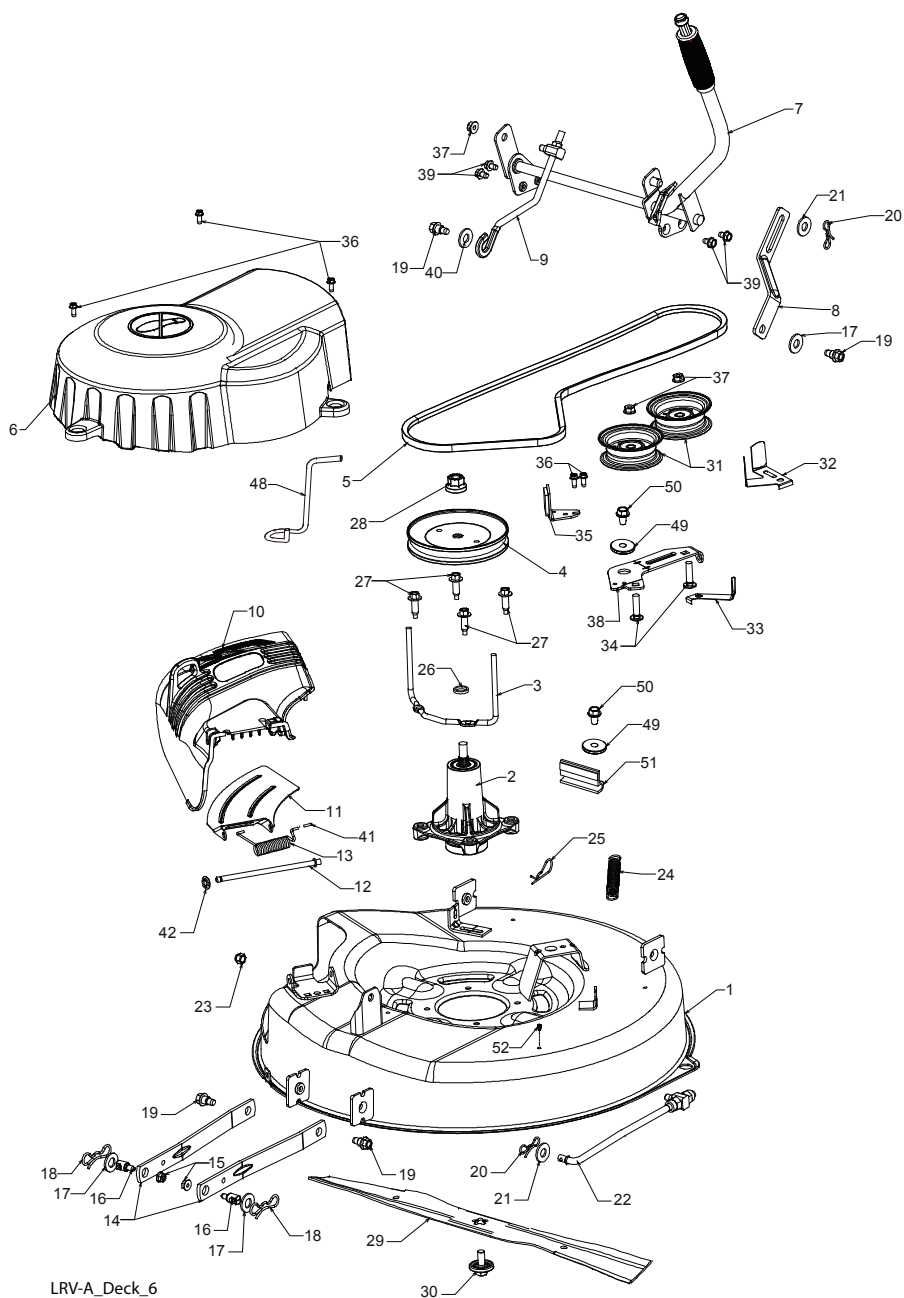
NOTE: All component dimensions given in U.S. inches
1 inch = 25.4 mm

KEY NO.	PART NO.	DESCRIPTION
1	532 43 65-00	WHEEL ASM (FRONT)
2	812 00 00-01	E-CLIP
3	532 18 89-67	WASHER, HARDENED
4	532 12 17-49	WASHER, 1/4 X 3/4
5	532 43 53-24	SPINDLE, RH
6	532 12 49-31	WASHER, HARDENED THRUST
7	532 12 49-37	BUSHING, STEERING COLUMN
8	532 42 10-76	PIN, 5/64 X 3/4 COTTER
9	819 13 14-14	WASHER
10	532 42 80-57	WELDMENT, LWR STRG SHAFT
11	532 42 80-35	LINK, STRNG LH
12	532 42 80-36	LINK, STRNG RH
13	874 78 05-24	BOLT, 5/16-18 X 1 1/2
14	819 13 10-16	WASHER
15	873 80 05-00	NUT, 5/16-18
16	532 42 80-44	BUSHING, STEERING SNAP
17	532 42 82-52	SUPPORT, UPPER STEERING
18	532 19 52-27	BUSHING, UPPER STEERING
19	817 00 05-12	BOLT, 5/16-18 X 3/4
20	532 42 80-45	CLIP, RETAINER SPRING
21	532 42 83-47	COVER, STEERING COLUMN
22	532 42 82-13	SHAFT, STEERING
23	532 43 77-47	ADAPTER, STEERING WHEEL
24	819 18 38-12	WASHER, 9/16 X 2 3/8 12 GA.
25	873 94 08-00	NUT, JAM LOCK 1/2-20
26	532 44 16-14	WHEEL, STEERING
27	532 44 16-15	CAP, STEERING WHEEL
28	532 19 98-49	CLIP, RETAINER SPRING
29	532 43 53-23	SPINDLE, LH
30	532 43 64-99	CAP, HUB, AXLE
31	819 34 32-10	WASHER 1-1/16 X 2 X 10 GA
45	532 16 54-92	BOLT SHOULDER 5/16-18 X .561

NOTE: All component dimensions given in U.S. inches
1 inch = 25.4 mm

**RIDING MOWER
MOWER DECK**

**MODEL NUMBER WE261 (96028000102)
PRODUCT NUMBER 960 28 00 01**



LRV-A_Deck_6

**RIDING MOWER
MOWER DECK**

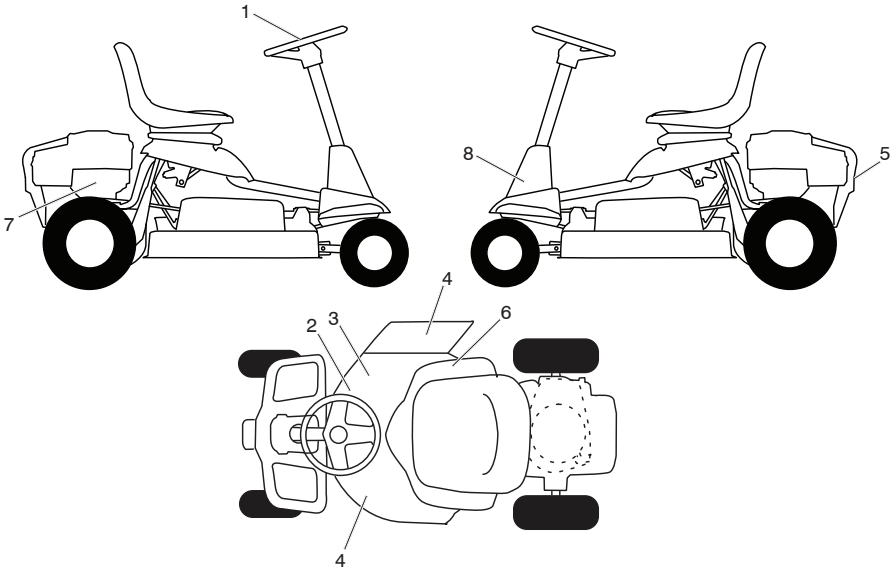
**MODEL NUMBER WE261 (96028000102)
PRODUCT NUMBER 960 28 00 01**

KEY PART NO.	PART NO.	DESCRIPTION
1	532 42 81-93	DECK, 26"
2	532 19 28-70	MANDREL ASM
3	532 43 25-20	KEEPER, BELT
4	532 43 25-94	PULLEY, MANDREL
5	532 42 85-78	BELT
6	532 42 82-42	COVER, MANDREL
7	532 42 93-95	LIFT ASM, DECK
8	532 42 91-95	LINK, DECK LIFT
9	532 42 93-97	LINK, ADJUSTABLE
10	532 43 89-23	DEFLECTOR
11	532 42 89-68	SUPPORT, DEFLECTOR
12	532 13 14-91	ROD, HINGE
13	532 19 70-26	SPRING, TORSION
14	532 41 88-63	ARM, MOWER SUPPORT
15	873 90 05-00	NUT, LOCK
16	532 19 51-61	STUD
17	819 19 19-12	WASHER
18	532 19 42-09	PIN
19	532 19 65-39	BOLT, SHOULDER
20	532 19 42-08	PIN
21	819 17 19-12	WASHER, 17/32 X 1 3/16
22	532 42 93-50	LINK, DECK
23	873 90 06-00	NUT, LCK 3/8-16
24	532 42 95-31	SPRING, DECK
25	532 12 47-88	PIN
26	532 18 76-90	SPACER, MANDREL
27	532 17 39-84	BOLT, MANDREL
28	532 40 02-34	NUT, LOCK
29	532 42 85-00	BLADE
30	532 19 30-03	BOLT, BLADE
31	532 19 31-97	PULLEY, IDLER
32	532 14 10-43	GUARD, IDLER
33	532 19 34-14	KEEPER, BELT IDLER
34	872 11 06-12	BOLT, 3/8-16 X 1 1/2
35	532 19 94-70	ARM, BRAKE
36	532 13 77-29	SCREW, 1/4-20 X 5/8
37	873 90 06-00	NUT, 3/8-16 FLANGE
38	532 42 84-35	ARM, IDLER
39	817 49 05-08	BOLT, 5/16-18 X 1/2
40	819 17 16-16	WASHER, 16 GA.
41	532 10 53-04	CAP, SLEEVE
42	532 11 04-52	NUT, PUSH
48	532 43 86-10	KEEPER BELT
49	532 19 90-92	SPACER RETAINER
50	817 00 06-16	SCREW 3/8-16 X 1
51	532 40 47-42	BUMPER
52	817 67 06-08	SCREW 3/8-16 X 1/2

NOTE: All component dimensions given in U.S. inches
1 inch = 25.4 mm

**RIDING MOWER
DECALS**

**MODEL NUMBER WE261 (96028000102)
PRODUCT NUMBER 960 28 00 01**



**KEY PART
NO. NO.**

DESCRIPTION

1	532 43 05-88	DECAL, STEERING WHEEL
2	532 43 35-96	DECAL, V-BELT SCH 30"
3	532 42 51-13	DECAL, WARN. DEFLECT/CTFGR
4	532 44 07-79	DECAL, DECK/DEFLECTOR
5	532 43 57-08	DECAL, WARN. ENGINEGUARD
6	532 43 67-55	DECAL
7	532 43 52-86	DECAL, WARNING SPARK ARRESTOR
8	532 43 73-12	DECAL, STEERING BRKT INSTALL
--	532 43 24-79	DECAL, BYPASS
--	532 44 61-71	MANUAL OPERATOR'S ENGLISH/FRENCH
--	532 44 61-72	MANUAL PART'S ENGLISH/FRENCH

NOTE: All component dimensions given in U.S. inches
1 inch = 25.4 mm