

Operator's Manual
26" RIDING MOWER
SIDE DISCHARGE
ELECTRIC START

BAGGER = 960730027
MULCH KIT = MK26

WEEDEATER®
One



Catalog No.
WE261

IMPORTANT:

Read and follow all Safety Rules and Instructions before operating this equipment.

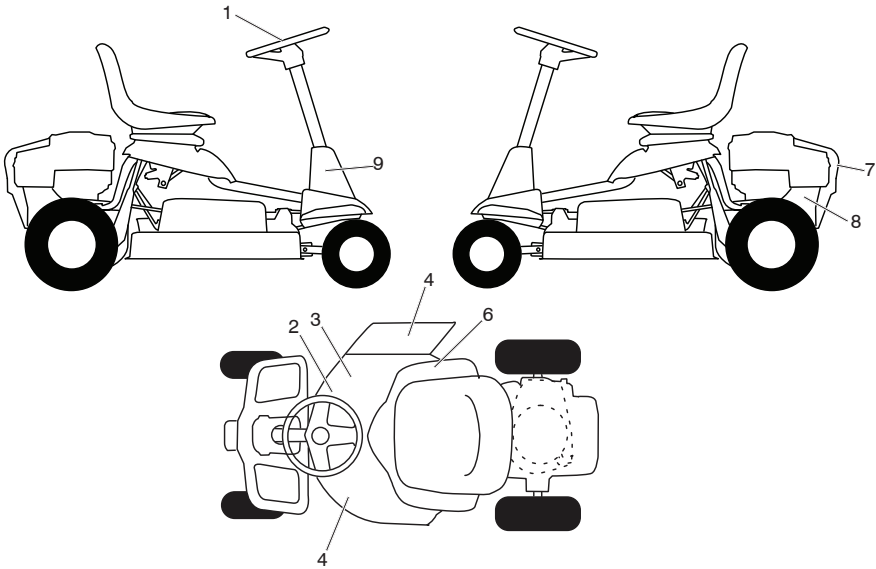
Patents Pending

Gasoline containing up to 10% ethanol (E10) is acceptable for use in this machine. The use of any gasoline exceeding 10% ethanol (E10) will void the product warranty.

532 44 24-76 Rev. 1

**RIDING MOWER
DECALS**

**MODEL NUMBER WE261 (96022000801)
PRODUCT NUMBER 960 22 00-08**



**KEY PART
NO. NO.**

DESCRIPTION

1	532 43 05-88	DECAL, STEERING WHEEL
2	532 43 35-96	DECAL, V-BELT SCH 30"
3	532 42 51-13	DECAL, WARN. DEFLECT/CTFGR
4	532 44 07-79	DECAL, DECK/DEFLECTOR
6	532 43 67-55	DECAL
7	532 43 44-57	DECAL, WARNING
8	532 42 41-02	DECAL, WARNING SPARK ARRESTOR
9	532 43 73-12	DECAL, LRV STEERING BRKT.
--	532 43 24-79	DECAL, BYPASS
--	532 44 24-76	MANUAL OPERATOR ENGLISH
--	532 44 24-77	MANUAL OPERATOR SPANISH

NOTE: All component dimensions given in U.S. inches
1 inch = 25.4 mm

**RIDING MOWER
MOWER DECK**

**MODEL NUMBER WE261 (96022000801)
PRODUCT NUMBER 960 22 00-08**

KEY NO.	PART NO.	DESCRIPTION
1	532 42 81-93	DECK, 26"
2	532 19 28-70	MANDREL ASM
3	532 43 25-20	KEEPER, BELT
4	532 43 25-94	PULLEY, MANDREL
5	532 42 85-78	BELT
6	532 42 82-42	COVER, MANDREL
7	532 42 93-95	LIFT ASM, DECK
8	532 42 91-95	LINK, DECK LIFT
9	532 42 93-97	LINK, ADJUSTABLE
10	532 43 89-23	DEFLECTOR
11	532 42 89-68	SUPPORT, DEFLECTOR
12	532 13 14-91	ROD, HINGE
13	532 19 70-26	SPRING, TORSION
14	532 41 88-63	ARM, MOWER SUPPORT
15	873 90 05-00	NUT, LOCK
16	532 19 51-61	STUD
17	819 19 19-12	WASHER
18	532 19 42-09	PIN
19	532 19 65-39	BOLT, SHOULDER
20	532 19 42-08	PIN
21	819 17 19-12	WASHER, 17/32 X 1 3/16
22	532 42 93-50	LINK, DECK
23	873 90 06-00	NUT, LCK 3/8-16
24	532 42 95-31	SPRING, DECK
25	532 12 47-88	PIN
26	532 18 76-90	SPACER, MANDREL
27	532 17 39-84	BOLT, MANDREL
28	532 40 02-34	NUT, LOCK
29	532 42 85-00	BLADE
30	532 19 30-03	BOLT, BLADE
31	532 19 31-97	PULLEY, IDLER
32	532 14 10-43	GUARD, IDLER
33	532 19 34-14	KEEPER, BELT IDLER
34	872 11 06-12	BOLT, 3/8-16 X 1 1/2
35	532 19 94-70	ARM, BRAKE
36	532 13 77-29	SCREW, 1/4-20 X 5/8
37	873 90 06-00	NUT, 3/8-16 FLANGE
38	532 42 84-35	ARM, IDLER
39	817 49 05-08	BOLT, 5/16-18 X 1/2
40	819 17 16-16	WASHER, 16 GA.
41	532 10 53-04	CAP, SLEEVE
42	532 11 04-52	NUT, PUSH
43	532 12 56-31	GRIP, HANDLE
44	532 42 94-01	PLUNGER
45	532 10 57-67	PIN
47	532 12 45-26	BUTTON PLUNGER
48	532 43 86-10	KEEPER BELT
49	532 19 90-92	SPACER RETAINER
50	817 00 06-16	SCREW 3/8-16 X 1
51	532 40 47-42	BUMPER
52	817 67 06-08	SCREW 3/8-16 X 1/2

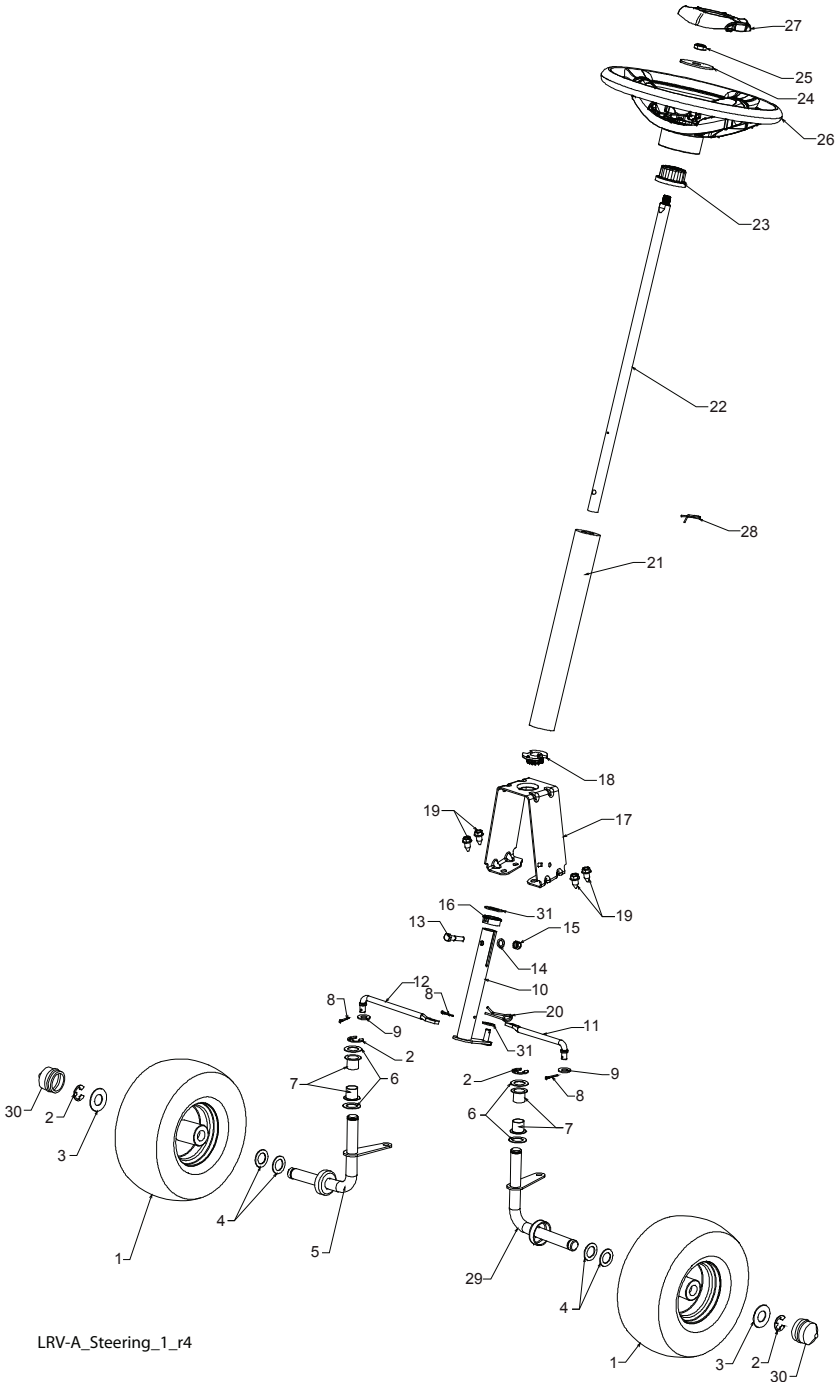
NOTE: All component dimensions given in U.S. inches
1 inch = 25.4 mm

KEY PART NO.	PART NO.	DESCRIPTION
1	532 43 65-00	WHEEL ASM (FRONT)
2	812 00 00-01	E-CLIP
3	532 18 89-67	WASHER, HARDENED
4	532 12 17-49	WASHER, 1/4 X 3/4
5	532 43 53-24	SPINDLE, RH
6	532 12 49-31	WASHER, HARDENED THRUST
7	532 12 49-37	BUSHING, STEERING COLUMN
8	532 42 10-76	PIN, 5/64 X 3/4 COTTER
9	819 13 14-14	WASHER
10	532 42 80-57	WELDMENT, LWR STRG SHAFT
11	532 42 80-35	LINK, STRNG LH
12	532 42 80-36	LINK, STRNG RH
13	874 78 05-24	BOLT, 5/16-18 X 1 1/2
14	819 13 10-16	WASHER
15	873 80 05-00	NUT, 5/16-18
16	532 42 80-44	BUSHING, STEERING SNAP
17	532 42 82-52	SUPPORT, UPPER STEERING
18	532 07 67-15	BUSHING, UPPER STEERING
19	817 00 05-12	BOLT, 5/16-18 X 3/4
20	532 42 80-45	CLIP, RETAINER SPRING
21	532 42 83-47	COVER, STEERING COLUMN
22	532 42 82-13	SHAFT, STEERING
23	532 43 77-47	ADAPTER, STEERING WHEEL
24	819 18 38-12	WASHER, 9/16 X 2 3/8 12 GA.
25	873 94 08-00	NUT, JAM LOCK 1/2-20
26	532 44 16-14	WHEEL, STEERING
27	532 44 16-15	CAP, STEERING WHEEL
28	532 19 98-49	CLIP, RETAINER SPRING
29	532 43 53-23	SPINDLE, LH
30	532 43 64-99	CAP, HUB, AXLE
31	819 34 32-10	WASHER 1-1/16 X 2 X 10 GA

NOTE: All component dimensions given in U.S. inches
1 inch = 25.4 mm

RIDING MOWER
STEERING

MODEL NUMBER WE261 (96022000801)
PRODUCT NUMBER 960 22 00-08



LRV-A_Steering_1_r4

**RIDING MOWER
DRIVE**

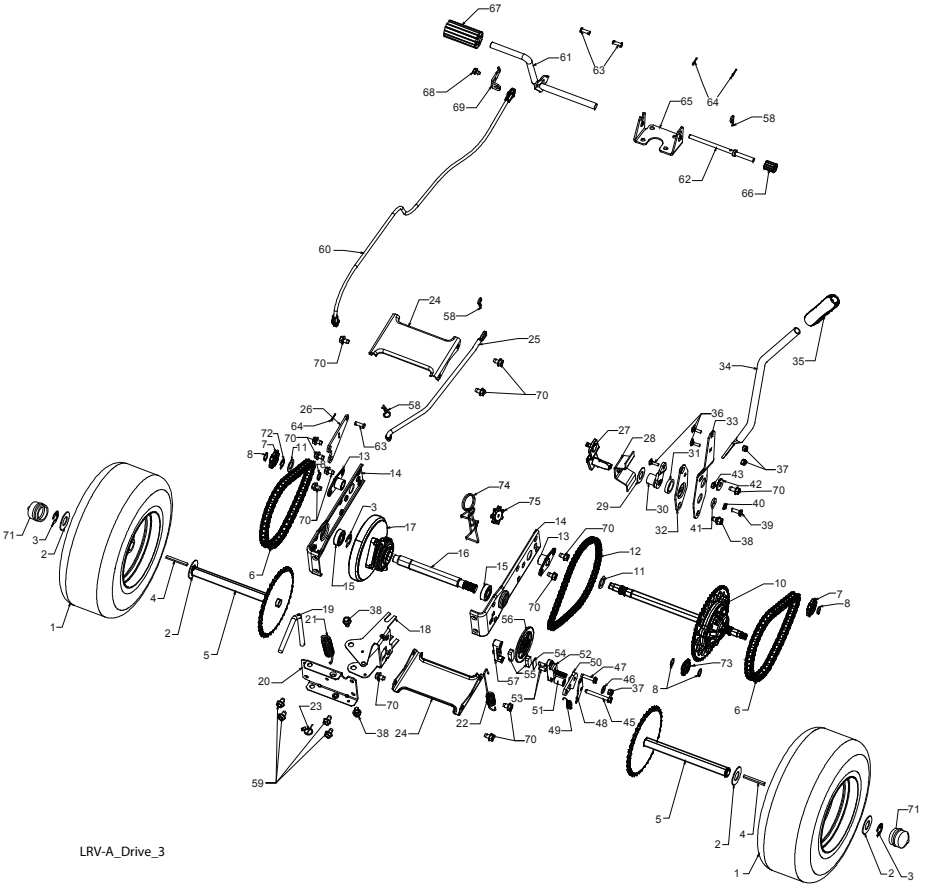
**MODEL NUMBER WE261 (96022000801)
PRODUCT NUMBER 960 22 00-08**

KEY NO.	PART NO.	DESCRIPTION	KEY NO.	PART NO.	DESCRIPTION
--	532 43 61-44	SERVICE KIT, TRANSAXLE	40	810 04 04-00	WASHER, LOCK
1	532 43 64-98	WHEEL ASM (REAR)	41	819 09 12-10	WASHER FLAT
2	532 12 17-48	WASHER, 16 GA.	42	532 16 60-02	WASHER, SERRATED
3	812 00 00-01	E-CLIP	43	873 68 04-00	NUT, CROWN LOCK 114-20
4	532 12 35-83	KEY, SQUARE	45	817 49 04-36	SCREW 1/4-20 X 2 114
5	532 42 79-39	WELDMENT, DRIVE AXLE	46	819 09 10-16	WASHER
6	532 42 80-69	CHAIN DRIVE	47	817 49 04-20	SCREW, 1/4-20 X 1 1/2
7	532 42 78-73	SPROCKET, 9 TOOTH SPLINED	48	532 43 02-49	PLATE BRAKE ANTI - ROTATE
8	812 10 00-09	RING, SNAP	49	532 43 02-45	SPRING, BRAKE RETURN
10	532 42 88-76	DIFFERENTIAL ASM	50	532 42 80-21	ARM, BRAKE
11	532 00 13-70	WASHER, THRUST	51	532 43 02-47	SPACER RETURN
12	532 43 06-45	CHAIN, PRIMARY DRIVE	52	532 42 80-78	CALIPER, BRAKE ASM
13	532 43 08-45	BUSHING	53	877 01 08-10	PIN, DOWEL 1/4
14	532 43 85-68	BRACKET, CARRIER	54	532 42 80-19	PLATE, BRAKE PAD
15	532 12 47-93	BEARING ASM	55	532 42 80-17	PUCK BRAKE
16	532 42 79-26	SHAFT INPUT	56	532 43 52-53	ROTOR, BRAKE
17	532 43 72-81	WHEEL, FRICTION A5M	57	532 42 80-16	CAP, BRAKE CALIPER
18	532 42 47-59	ARM, SHIFT	58	532 12 47-88	PIN, RETAINER
19	532 43 08-70	ROD, BYPASS	59	817 49 05-08	BOLT, 5/16-16 X 112
20	532 42 79-97	BRACE CARRIER REAR	60	532 43 55-59	CABLE, BRAKE
21	532 42 80-77	SPRING, CARRIER	61	532 42 79-45	WELDMENT, PEDAL
22	532 42 80-76	SPRING, BRAKE	62	532 42 96-78	ROD, PARKING BRAKE
23	532 43 13-74	SPRING, BYPASS	63	877 10 08-12	PIN, .25 X .75 CLEVIS
24	532 42 79-95	BRACE CARRIER BOX	64	876 02 02-08	PIN, 1/16 DIA. COTTER
25	532 42 83-03	LINK, SHIFT	65	532 42 93-25	BRACKET, BRAKE SUPPORT
26	532 42 98-16	ARM, CLUTCH	66	532 42 96-94	COVER PEDAL
27	532 42 90-53	WELDMENT SHIFT LEVER	67	532 42 96-93	COVER, BRAKE PEDAL
28	532 42 83-02	SUPPORT, SHIFT LEVER	68	817 49 04-06	SCREW, 1/4-20 X 3/8
29	532 17 48-40	WASHER, NYLON	69	532 42 80-70	BRAKE CABLE MOUNT
30	532 18 39-00	HUB SHIFT LEVER	70	817 00 05-12	BOLT, 5/16-18 X 3/4
31	532 42 90-55	SPACER, NYLON	71	532 43 64-99	CAP HUB AXLE
32	532 42 84-64	MNTG BRKT. SHIFT ARM	72	812 00 00-02	E RING #5133-62
33	532 42 84-61	BRACKET, SHIFTER FLEX	73	532 42 95-19	SPROCKET II TOOTH SPLINED
34	532 42 84-62	TUBE SHIFT ARM	74	532 43 78-41	TENSION LRV CHAIN
35	532 41 15-55	GRIP, HANDLE	75	532 43 34-95	SPROCKET IDLER
36	872 11 04-06	BOLT, CARRIAGE - 114-20 X 3/4			
37	873 80 04-00	NUT NYLON LOCK 114-20			
38	532 16 54-92	BOLT, SHOULDER			
39	874 78 04-12	BOLT, 1/4-20 X 3/4			

NOTE: All component dimensions given in U.S. inches
1 inch = 25.4 mm

RIDING MOWER
DRIVE

MODEL NUMBER WE261 (96022000801)
PRODUCT NUMBER 960 22 00-08



LRV-A_Drive_3

**RIDING MOWER
CHASSIS**

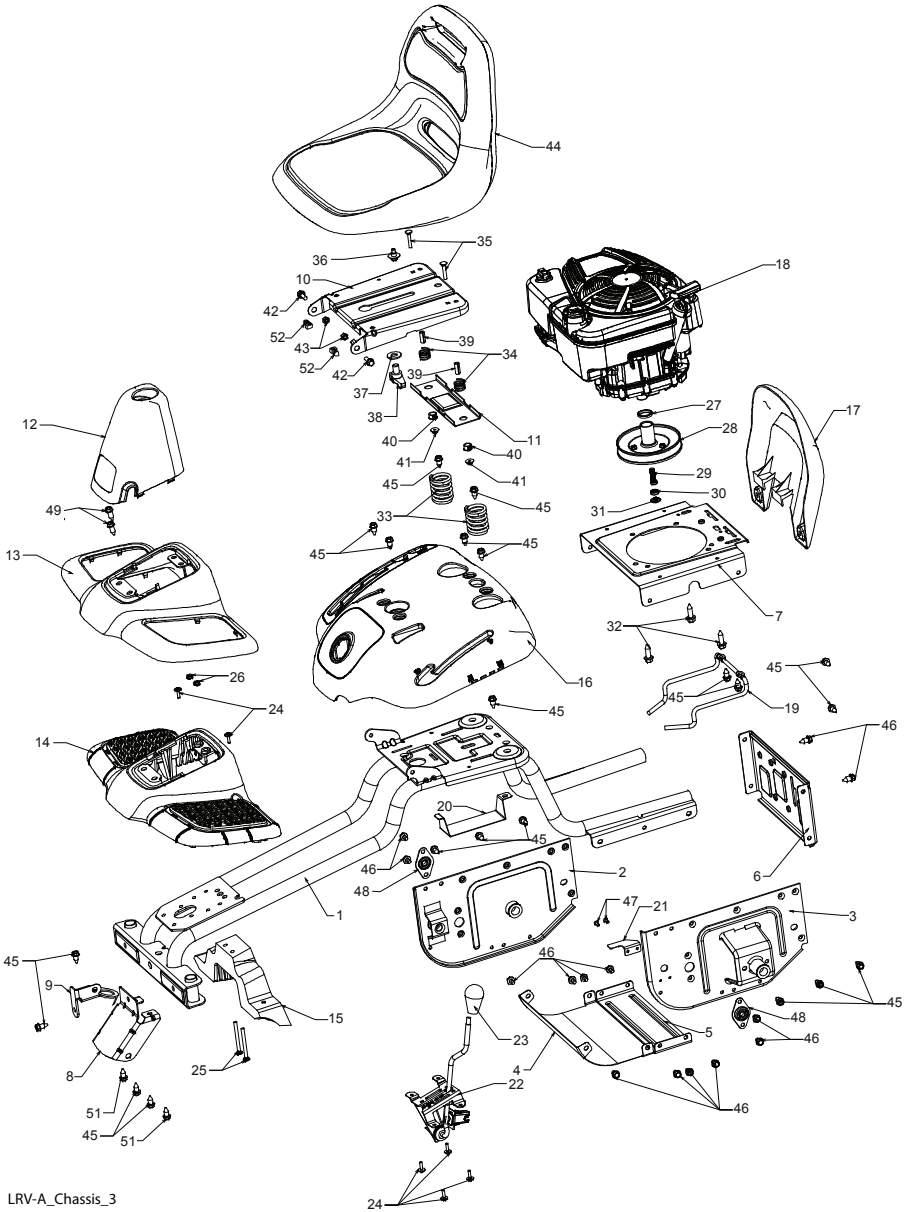
**MODEL NUMBER WE261 (96022000801)
PRODUCT NUMBER 960 22 00-08**

KEY PART NO. NO.	DESCRIPTION
1	532 42 80-48 WELDMENT, CHASSIS
2	532 42 82-47 SUPPORT, AXEL LH
3	532 42 82-44 SUPPORT, AXEL RH
4	532 42 83-46 SHIELD, TRANSAXLE FRONT
5	532 42 81-10 BRACE, AXLE CROSS
6	532 42 81-09 COVER, FRICTION DRIVE
7	532 42 80-40 PLATE, ENGINE
8	532 42 85-76 BRACKET, CHASSIS FRONT
9	532 42 88-56 BRACKET, STEERING SUPPORT
10	532 19 55-30 PAN, SEAT
11	532 17 46-48 BRACKET, SWITCH MOUNTING
12	532 42 82-48 BOOT, DUST
13	532 43 64-96 COVER, FOOT REST
14	532 42 82-50 STRUCTURE, FOOT REST
15	532 42 82-49 SUPPORT, FOOT REST
16	532 43 64-97 FENDER, CONTROL
17	532 42 83-48 GUARD, ENGINE
18	532 43 81-54 ENGINE, (NON-CALIFORNIA) 12S907-2411-B1
19	532 42 89-86 KEEPER, BELT
20	532 42 80-46 BRACKET, BATTERY
21	532 42 98-15 LEVER, SWITCH
22	532 42 88-26 DECK CLUTCH ASM
23	532 14 98-46 KNOB
24	532 41 63-58 SCREW, NO. 10
25	872 14 04-24 BOLT, CARRIAGE 1/4-20 X 3
26	873 51 04-00 NUT, 1/4-20
27	532 43 00-87 SPACER, ENGINE
28	532 42 83-01 DISC, FRICTION ASM
29	532 43 08-17 BOLT, SCKT HD 3/8-24 X 1 .25
30	532 43 04-70 BEARING
31	532 43 73-22 SPACER, NEUTRAL
32	817 49 05-06 BOLT, HEX WSH HD 5/16-18 X 3/8
33	532 12 41-81 SPRING, SEAT
34	532 12 12-50 SPRING
35	872 05 04-12 BOLT, 1/4-20 X 1 1/2
36	532 12 70-18 BOLT, SHOULDER
37	819 17 19-12 WASHER, 17/32 X 1 3/16
38	532 16 63-69 KNOB, SEAT
39	532 13 43-00 SPACER
40	532 12 12-48 BUSHING, NYLON SNAP
41	532 12 39-76 NUT, LOCK
42	532 17 18-52 BOLT, 5/16-18 SHOULDER
43	873 80 05-00 NUT, 5/16-18
44	532 42 82-43 SEAT
45	817 00 05-12 BOLT, 5/16-18 X 3/4
46	817 49 05-08 BOLT, 5/16-18 X 1/2
47	532 08 67-77 SCREW
48	532 40 89-81 BEARING, FLANGE, BALL
49	817 06 05-16 SCREW, 5/16-18 X1
51	532 16 54-92 BOLT, SHOULDER, 5/16-18 X .561
52	532 14 50-06 CLIP PUSH-IN HINGED

NOTE: All component dimensions given in U.S. inches
1 inch = 25.4 mm

RIDING MOWER
CHASSIS

MODEL NUMBER WE261 (96022000801)
PRODUCT NUMBER 960 22 00-08



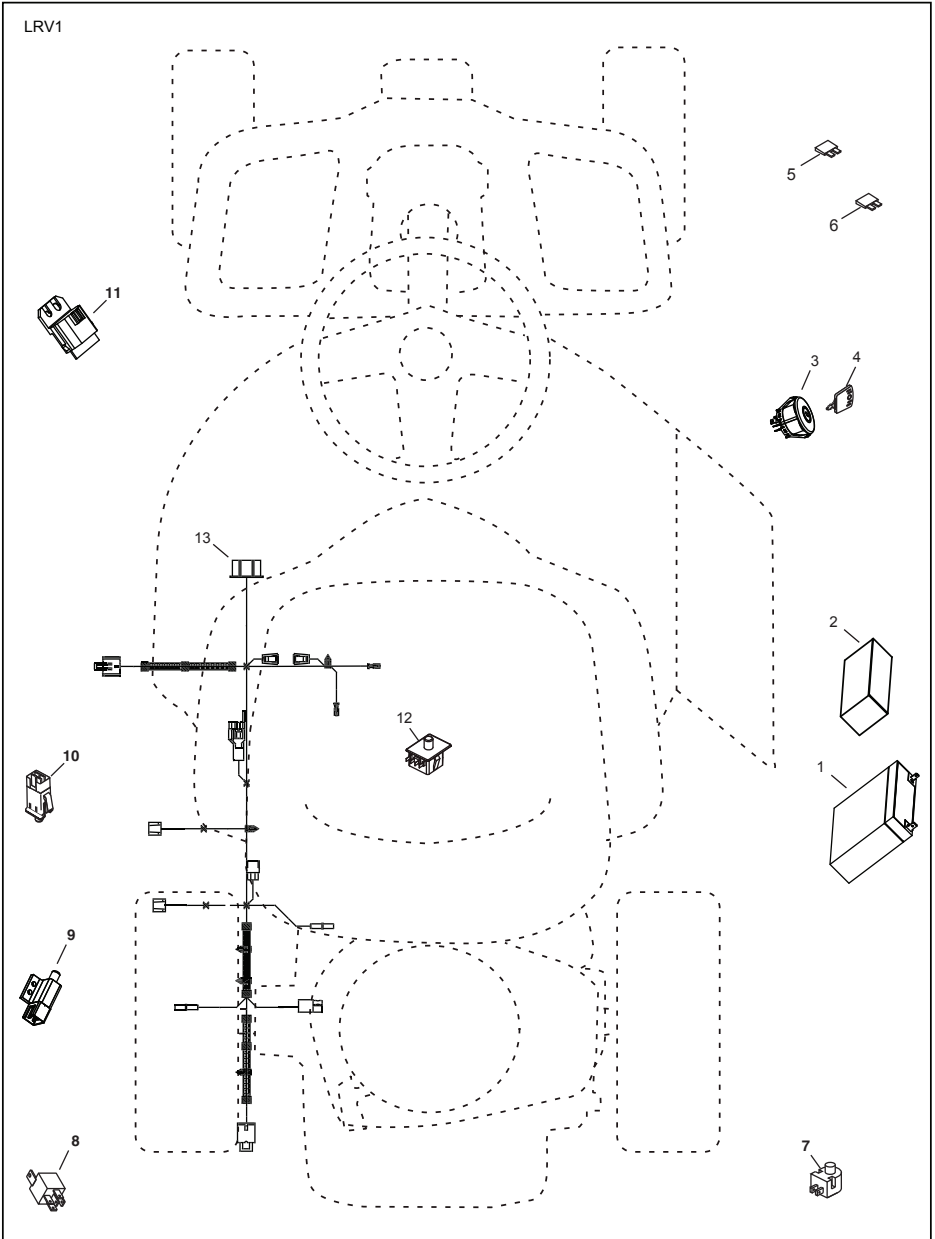
LRV-A_Chassis_3

KEY PART NO.	PART NO.	DESCRIPTION
1	532 43 70-70	BATTERY
2	532 42 54-16	FOAM, POLYURETHANE
3	532 19 33-50	SWITCH, IGN, DLTA, P-IN, ROS
4	532 41 19-33	KEY/CHAIN
5	532 43 33-30	FUSE, 5A
6	532 42 59-37	FUSE, 40A
7	532 16 07-84	SWITCH, PLUNGER, NO, OLIVE
8	532 43 15-42	RELAY, 40A
9	532 10 95-53	SWITCH, INTLK,CL, MWR, GRY
10	532 17 61-38	SWITCH, INTERLOCK, NONC,GRAY
11	532 43 18-46	MODULE, STARTING, RECOIL, LRV
12	532 19 27-49	SWITCH, SEAT, DP, ROS
13	532 42 84-77	HARNESS, IGN, ELECTSTART, LRV

NOTE: All component dimensions given in U.S. inches
1 inch = 25.4 mm

RIDING MOWER
ELECTRICAL

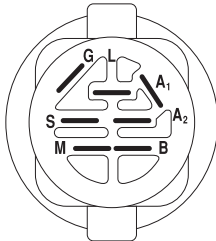
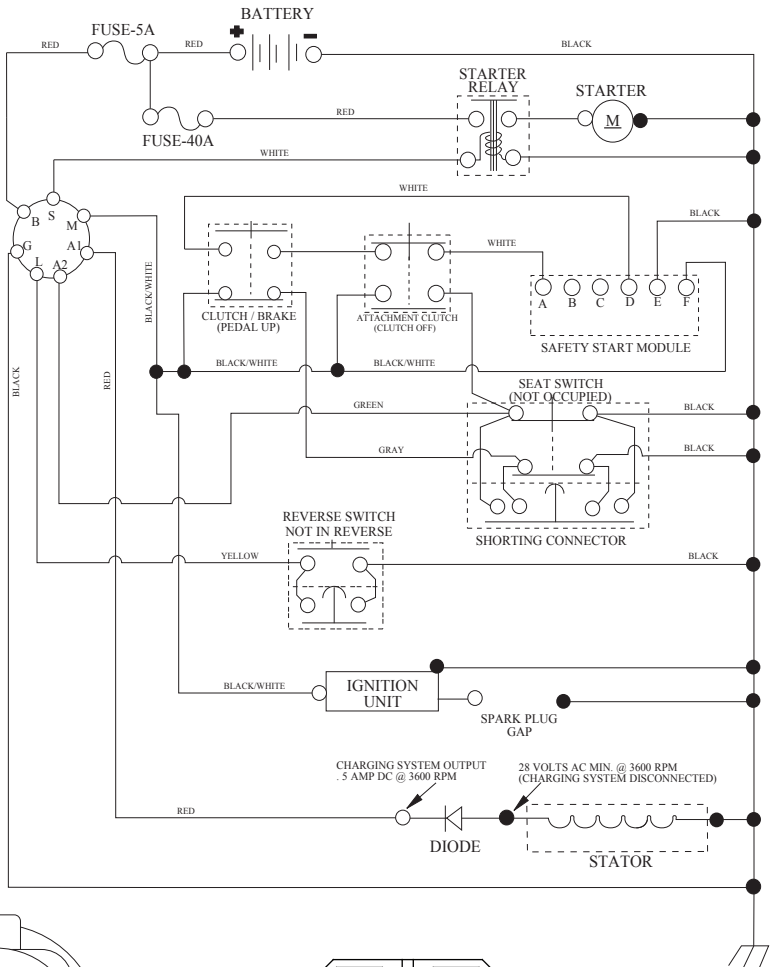
MODEL NUMBER WE261 (96022000801)
PRODUCT NUMBER 960 22 00-08



RIDING MOWER SCHEMATIC

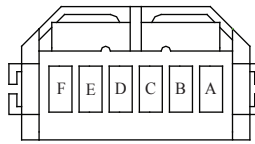
MODEL NUMBER WE261 (96022000801) PRODUCT NUMBER 960 22 00-08

SCH21



IGNITION SWITCH

POSITION	CIRCUIT	"MAKE"
OFF	M+G+A1	
RUN/OVERRIDE	B+A1	
RUN	B+A1	L+A2
START	B + S + A1	



SAFETY START MODULE
VIEWED FROM MATING SIDE



WIRING INSULATED CLIPS

NOTE: IF WIRING INSULATED CLIPS WERE REMOVED FOR SERVICING OF UNIT, THEY SHOULD BE RE-INSTALLED TO PROPERLY SECURE YOUR WIRING.