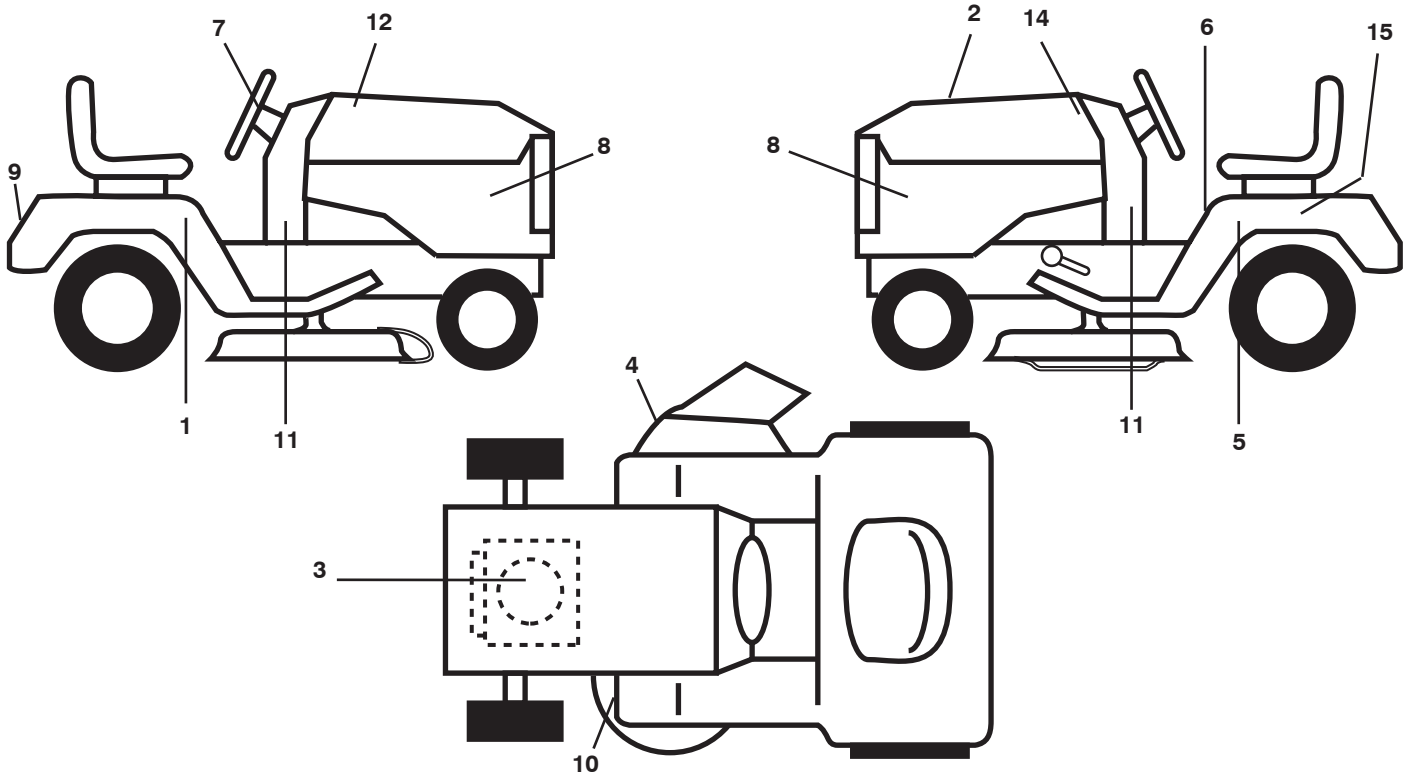


# REPAIR PARTS

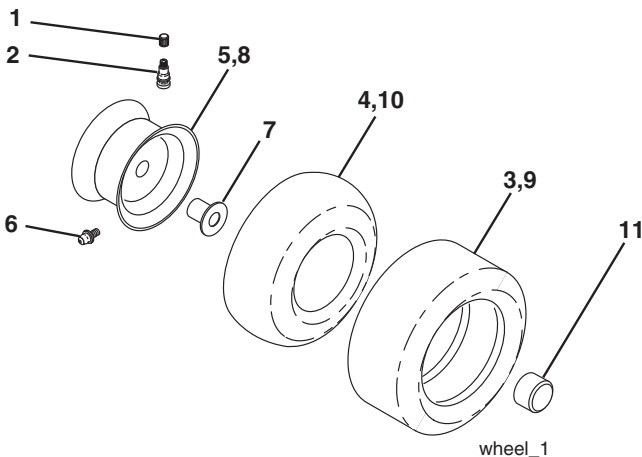
TRACTOR - - MODEL NUMBER PBA195H42LT (96012007900), PRODUCT NO. 960 12 00-79  
DECALS



KEY NO.	PART NO.	DESCRIPTION
1	408949	Decal, Fender RH
2	417167	Decal, Replacement
3	408834	Decal, Engine HP
4	170563	Decal Warning
5	408948	Decal, Fender LH
6	411658	Decal, Fender Danger Eng/Fr
7	172743	Decal Ins Str Wh
8	408794	Decal, Side Panel
9	172740	Decal, Fender
10	160396	Decal, V-Belt Sch.

KEY NO.	PART NO.	DESCRIPTION
11	411175	Decal, Lower Dash
12	186163	Decal, Hood RH
14	186164	Decal, Hood LH
15	145005	Decal, Caution, Battery
--	166960	Decal, Bypass
--	138311	Decal, Handle Lft Height Adj.
--	184310X428	Pad Footrest LH
--	184311X428	Pad Footrest RH
--	417183	Manual, Operator's (E&F)
--	417184	Manual, Parts (E&F)

## WHEELS & TIRES

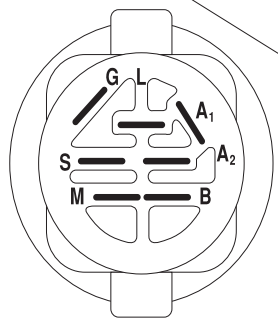
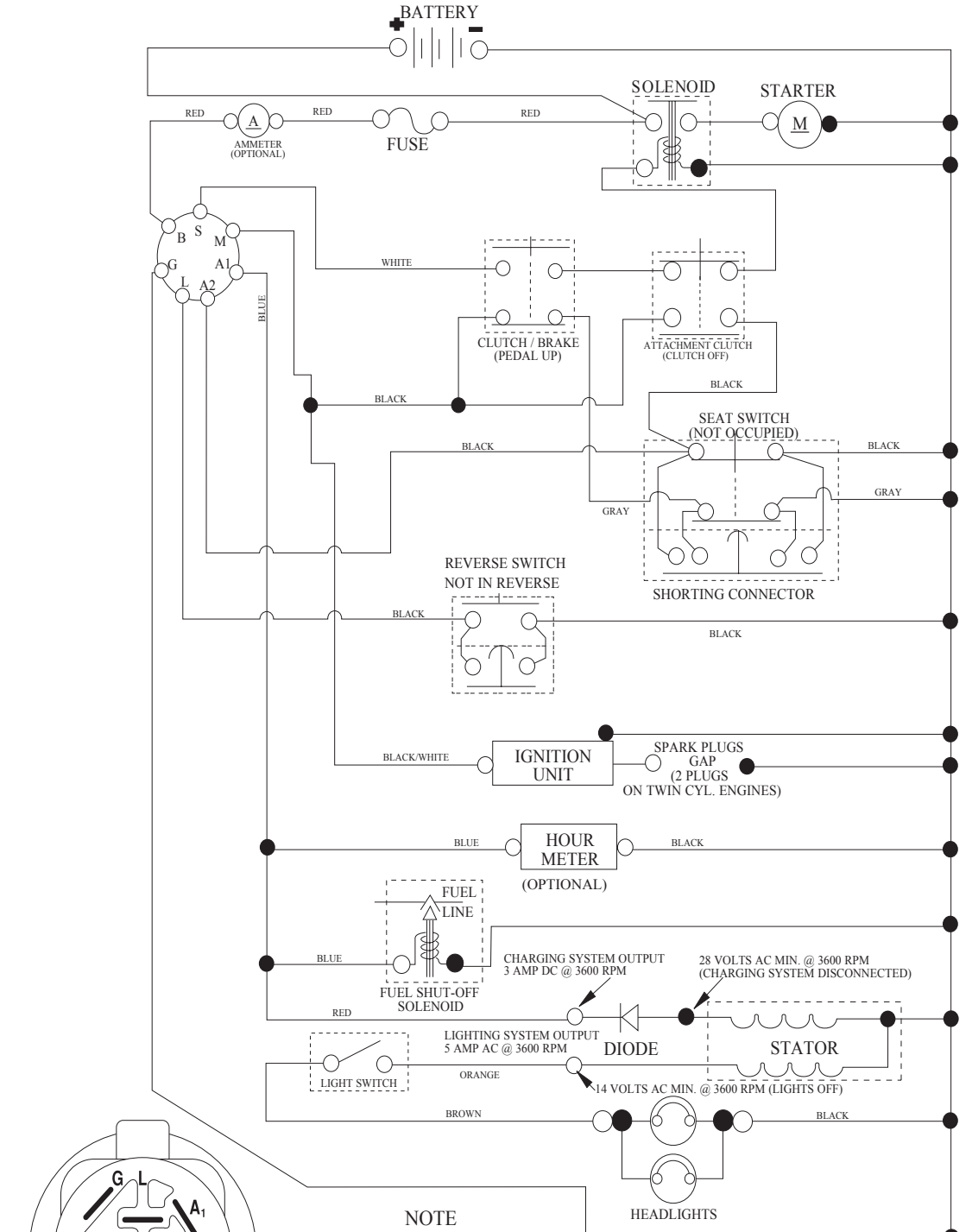


KEY NO.	PART NO.	DESCRIPTION
1	59192	Cap, Tire valve
2	65139	Stem, Valve
3	106222X	Tire, Front
4	59904	Tube, Front
5	106732X421	Rim Assembly, 6" Front
6	278H	Fitting, Grease (Front wheel only)
7	9040H	Bearing, Flange (Front wheel only)
8	106108X421	Rim Assembly, 8" Rear
9	106268X	Tire, Rear 18 x 9.5-8 Turf Saver
--	420531	Tire, Rear 18 x 9.5-8 Turf Saver LT
10	7152J	Tube, Rear
11	104757X428	Cap, Hub Axle
--	144334	Sealant, Tire (10 oz. Tube)

**NOTE:** All component dimensions given in U. S. inches 1 inch = 25.4 mm.

# TRACTOR -- MODEL NUMBER PBA195H42LT (96012007900), PRODUCT NO. 960 12 00-79 SCHEMATIC

SCH03



IGNITION SWITCH

POSITION	CIRCUIT	"MAKE"
OFF	M+G+A1	
RUN/OVERRIDE	B+A1	
RUN	B+A1	L+A2
START	B+S+A1	

**NOTE**  
 YOUR TRACTOR IS EQUIPPED WITH A SPECIAL ALTERNATOR SYSTEM. THE LIGHTS ARE NOT CONNECTED TO THE BATTERY, BUT HAVE THEIR OWN ELECTRICAL SOURCE. BECAUSE OF THIS, THE BRIGHTNESS OF THE LIGHTS WILL CHANGE WITH ENGINE SPEED. AT IDLE THE LIGHTS WILL DIM. AS THE ENGINE IS SPEEDED UP, THE LIGHTS WILL BECOME THEIR BRIGHTEST.



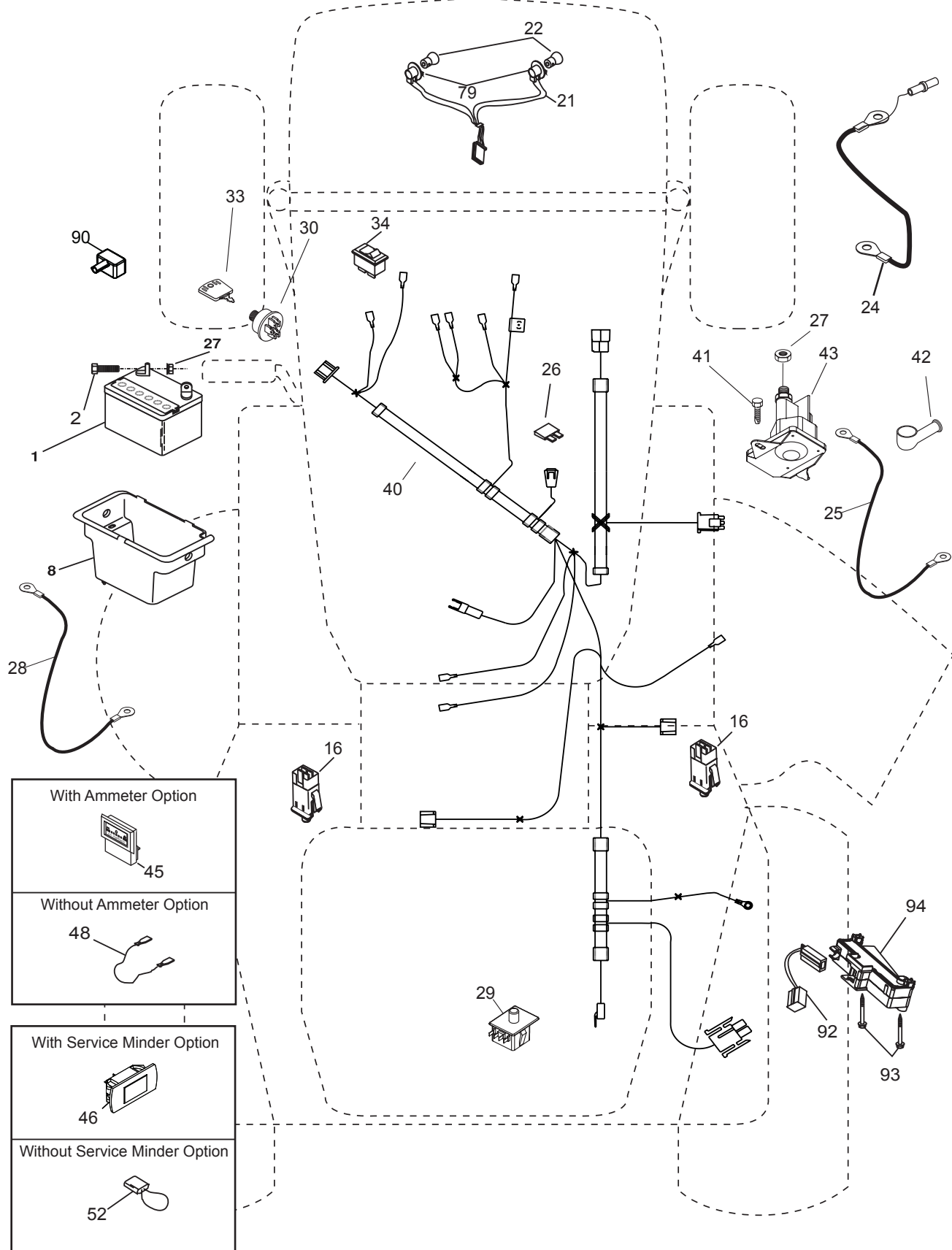
WIRING INSULATED CLIPS  
 NOTE: IF WIRING INSULATED CLIPS WERE REMOVED FOR SERVICING OF UNIT, THEY SHOULD BE RE-INSTALLED TO PROPERLY SECURE YOUR WIRING.

# REPAIR PARTS

TRACTOR - - MODEL NUMBER PBA195H42LT (96012007900), PRODUCT NO. 960 12 00-79

## ELECTRICAL

L02



# REPAIR PARTS

TRACTOR - - MODEL NUMBER PBA195H42LT (96012007900), PRODUCT NO. 960 12 00-79  
ELECTRICAL

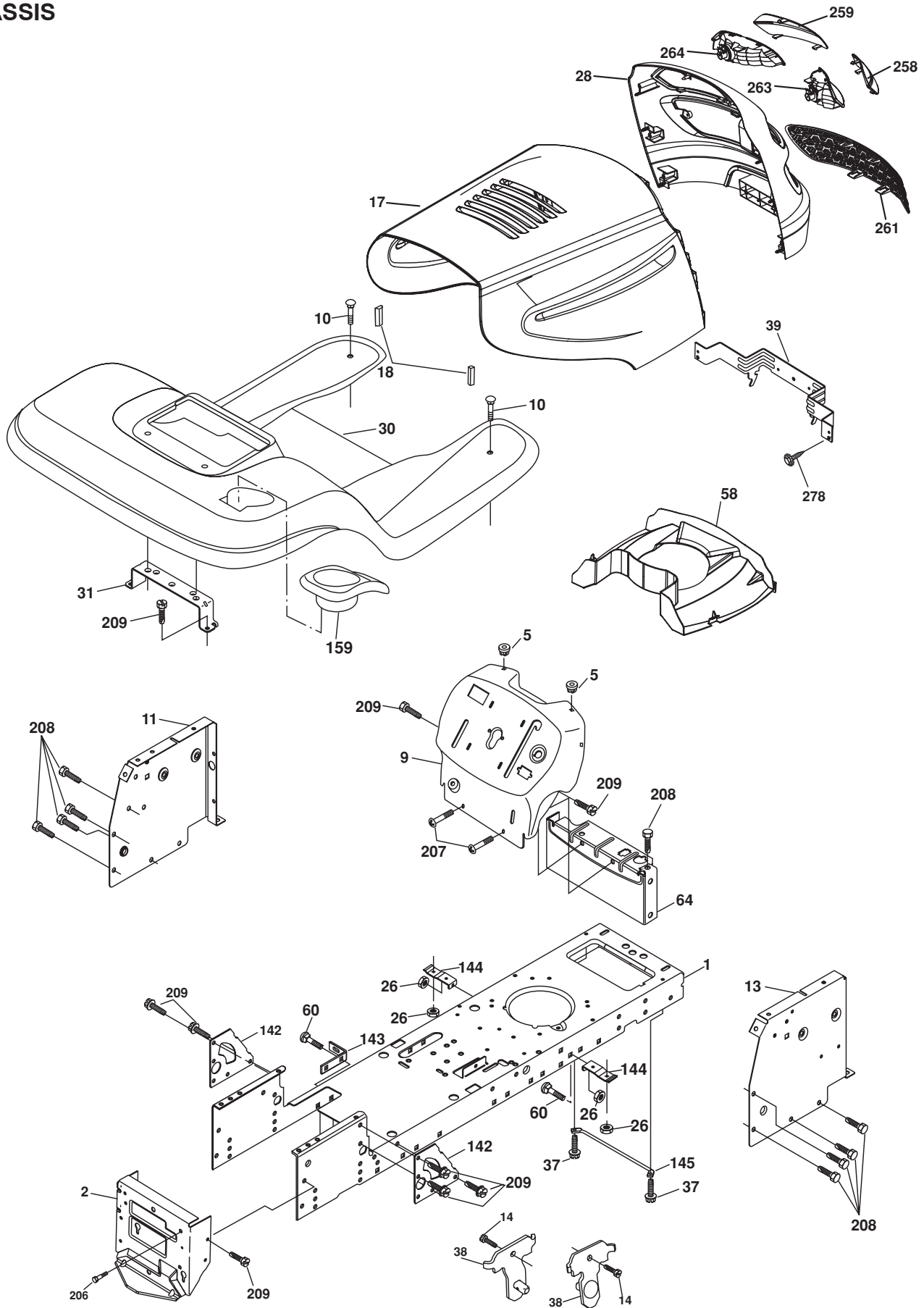
KEY NO.	PART NO.	DESCRIPTION
1	163465	Battery
2	74760412	Bolt Hex Hd 1/4-20 unc x 3/4
8	176689	Box Battery
16	176138	Switch Interlock
21	187359	Harness Asm Light W/4152j
22	4152J	Bulb Light #1156
24	4799J	Cable Battery 6 Ga. 11"red
25	146147	Cable Battery
26	175158	Fuse 20 AMP
27	73510400	Nut Keps Hex 1/4-20 unc
28	4207J	Cable Ground 6 Ga. 12" Black
29	192749	Switch Seat
30	193350	Switch Ign
33	411935	Key/Chain
34	110712X	Switch Light/Reset
40	197428	Harness Ign
41	71110408	Bolt Blk Fin Hex 1/4-20
42	131563	Cover Terminal Red
43	192507	Solenoid
48	140844	Adapter Ammeter
52	141940	Protection Wire Loop
79	175242	Socket Asm Bulb Twistlock
90	180449	Cover Terminal Battery
92	196615	Harness Pigtail
93	192540	Screw Plastite 10-14 x 2.0
94	191834	Module Reverse ROS

**NOTE:** All component dimensions given in U. S. inches 1 inch = 25.4 mm.

# REPAIR PARTS

TRACTOR - - MODEL NUMBER PBA195H42LT (96012007900), PRODUCT NO. 960 12 00-79

CHASSIS



# REPAIR PARTS

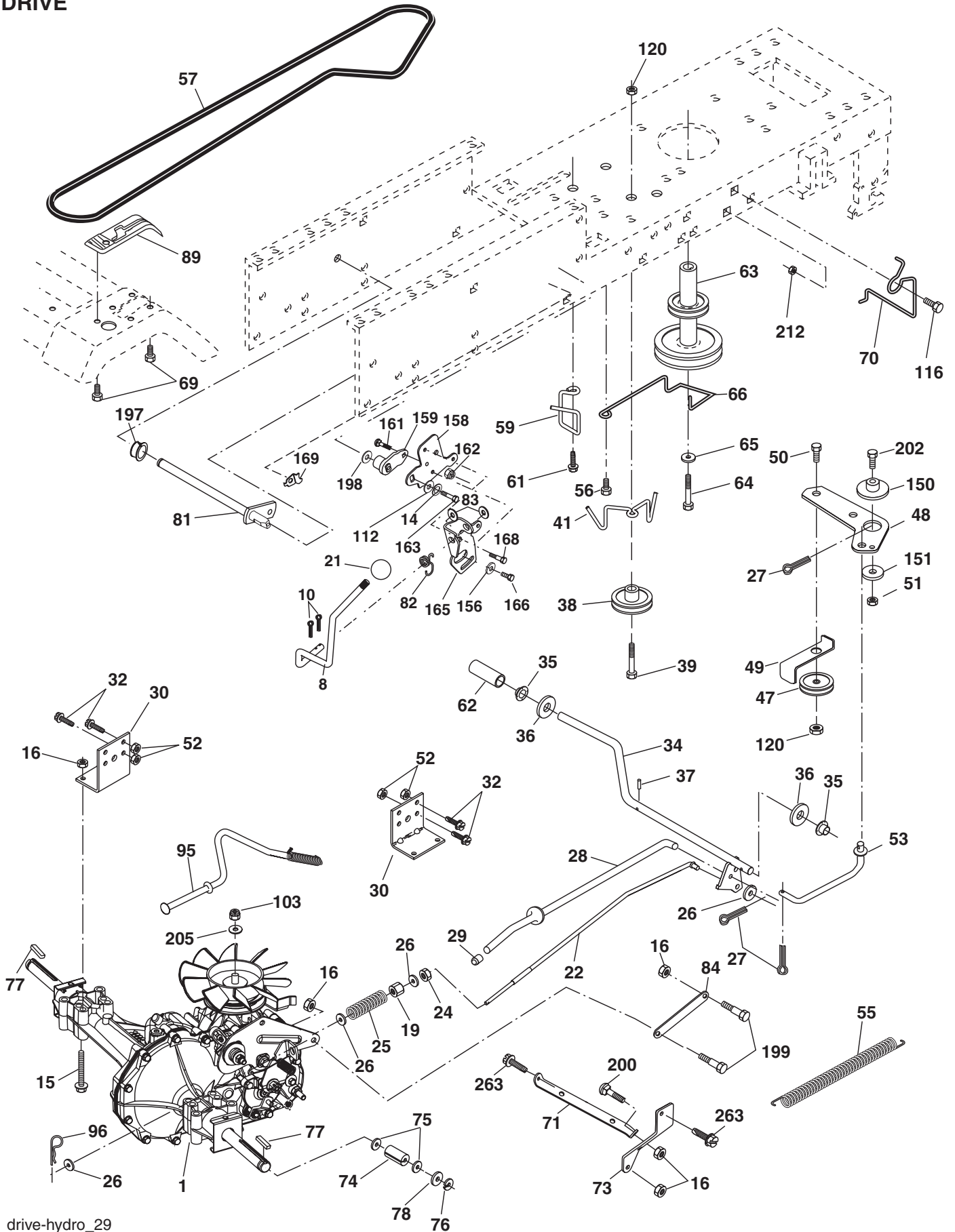
TRACTOR - - MODEL NUMBER PBA195H42LT (96012007900), PRODUCT NO. 960 12 00-79  
CHASSIS

KEY NO.	PART NO.	DESCRIPTION
1	174619	Chassis
2	176554	Drawbar
5	155272	Bumper Hood/Dash
9	193510X010	Dash P/L
10	72140608	Bolt Carriage 3/8-16 x 1
11	174996	Panel Dash Lh
13	179174X010	Panel Dash Rh
14	17490608	Screw THDROL 3/8-16 x 1/2
17	183393X428	Hood
18	184921	Bumper Hood
26	73800600	Nut Lock Hex W/Ins 3/8-16 unc
28	183828	Grille/Lens Asm (Includes Key Nos. 258, 259, 261, 263, 264)
30	192393X428	Fender
31	139976	Bracket Fender
37	17490508	Screw Thdrol 6/16-18 x 1/2 TYT
38	175710	Bracket Asm Pivot Mower Rear
39	407807	Bracket Pivot
58	184322	Duct Air
60	72140606	Bolt RDHD SQNK 3/8-16 unc x 1
64	154798	Dash Lower STLT
142	175702	Plate Reinforcement STLT
143	186689	Bracket Swaybar Chassis
144	175582	Bracket Footrest
145	409167	Rod Pivot Chassis/Hood
159	155123X428	Cupholder
206	170165	Bolt Shoulder 5/16-18
207	17670508	Screw Thdrol 5/16-18 x 1/2
208	17670608	Screw Thdrol 3/8-16 x 1/2
209	17000612	Screw Hexwsh Thdr 3/8-16 x 3/4
258	183835X599	Lens Grille Pro RH
259	183834X599	Lens Grille Pro LH
261	183829X428	Insert Grille
263	183833	Bezel Grille RH
264	183832	Bezel Grille LH
278	191611	Screw 10 x 3/4 Single Lead
--	5479J	Plug BTN BIK
--	187801	Plug Domed Plastic

**NOTE:** All component dimensions given in U.S. inches  
1 inch = 25.4 mm

# REPAIR PARTS

TRACTOR -- MODEL NUMBER PBA195H42LT (96012007900), PRODUCT NO. 960 12 00-79  
DRIVE



# REPAIR PARTS

TRACTOR - - MODEL NUMBER PBA195H42LT (96012007900), PRODUCT NO. 960 12 00-79  
DRIVE

KEY NO.	PART NO.	DESCRIPTION	KEY NO.	PART NO.	DESCRIPTION
1	-----	Transaxle Hydro Gear Model 322-0510 (Order parts from transaxle manufacturer)	70	134683	Guide Belt Mower Drive RH
8	192502	Rod Shift	71	169183	Strap Torque, LH
10	76020416	Pin Cotter 1/8 X 1	73	169182	Strap Torque, RH
14	10040400	Washer Lock 1/4	74	137057	Spacer Axle
15	74490544	Bolt Hex FLGHD 5/16-18 Gr. 5 unc	75	121749X	Washer 25/32 x 1 1/4 x 16 Ga.
16	73800500	Nut Lock Hex w/ins 5/16-18 unc	76	12000001	Ring, E
19	73800600	Nut Lock Hex w/wsh 3/8-16 unc	77	123583X	Key Square
21	409154X421	Knob	78	121748X	Washer 25/32 x 1-5/8 x 16 Ga.
22	169498	Rod Brake	81	165596	Shaft Asm Cross
24	73350600	Nut	82	165711	Spring Torsion
25	106888X	Spring Rod Brake	83	19171216	Washer 17/32 x 3/4 x 16 Ga.
26	19131316	Washer 13/32 x 13/16 x 16 Ga.	84	169843	Link Transaxle
27	76020412	Pin Cotter 1/8 x 3/4	89	192387	Console Shift
28	175765	Rod Brake Parking	95	170201	Control Asm Bypass Hydro
29	124236X	Cap Brake Parking	96	4497H	Retainer Spring 1"
30	174973	Bracket Transmission	103	73940800	Nut, Hex Jam Top Lock 1/2-20 unf
32	74760512	Bolt Hex Hd 5/16-18 unc x 3/4	112	19091210	Washer 9/32 x 3/4 x 10 Ga.
34	175578	Shaft Foot Pedal	116	72140608	Bolt 3/8-16 x 1
35	120183X	Bearing Nylon	120	73900600	Bolt Hex 3/8-16 x 1-1/2
36	19211616	Washer	150	175456	Spacer Retainer
37	1572H	Pin Roll	151	19133210	Washer 13/32 x 2 x 10
38	179114	Pulley Idler Composite	156	166002	Washer 5/16 x 1.0 x 1.25
39	72110622	Bolt	158	165589	Bracket Shift Mount
41	175556	Keeper Belt Idler	159	183900	Hub Tapered Flange Shift
47	127783	Pulley Idler V-Belt	161	72140406	Bolt Rdhd Sqnk 1/4-20 x 3/4 Gr. 5
48	154407	Bellcrank Clutch Grnd Drustl	162	73680400	Nut Crownlock 1/4-20 unc
49	123205X	Retainer Belt	163	74780416	Bolt Hex Fin 1/4-20 x 1
50	72110612	Bolt Carr. Sh. 3/8-16 x 1-1/2 Gr. 5	165	165623	Bracket Pivot Lever
51	73680600	Nut	166	17490510	Screw 5/16-18 x 1.0 x .125
52	73680500	Nut Crownlock 5/16-28	168	165492	Bolt Shoulder 5/16-18 x .561
53	199652	Link Clutch	169	165580	Plate Fastening
55	105709X	Spring Return Clutch	197	169613	Nyliner Snap-In 5/8
56	17060620	Screw 3/8-16 x 1-1/4	198	169593	Washer Nyliner 7/8 ID x .105 HYD
57	140294	V-Belt Drive	199	169612	Bolt Shoulder 5/16-18 unc
59	169691	Keeper Belt Center	200	72140508	Bolt Rdhd Sqnk 5/16-18 unc x 1
61	17120614	Screw 3/8-16 x .875	202	72110614	Bolt RdHd 3/8-16 unc x 1-1/2 Gr. 5
62	8883R	Cover Pedal	205	19171616	Washer 17/32 x 1 x 16 Ga.
63	175410	Engine Pulley	212	145212	Nut Hex flange Lock
64	173937	Bolt Hex 7/16-20 x 4 x Gr. 5-1.5	263	17000612	Screw 3/8-16 x .75
65	10040700	Washer			
66	154778	Keeper Belt Engine Hydro			
69	142432	Screw Hex wsh HiLo 1/4 x 1/2 unc			

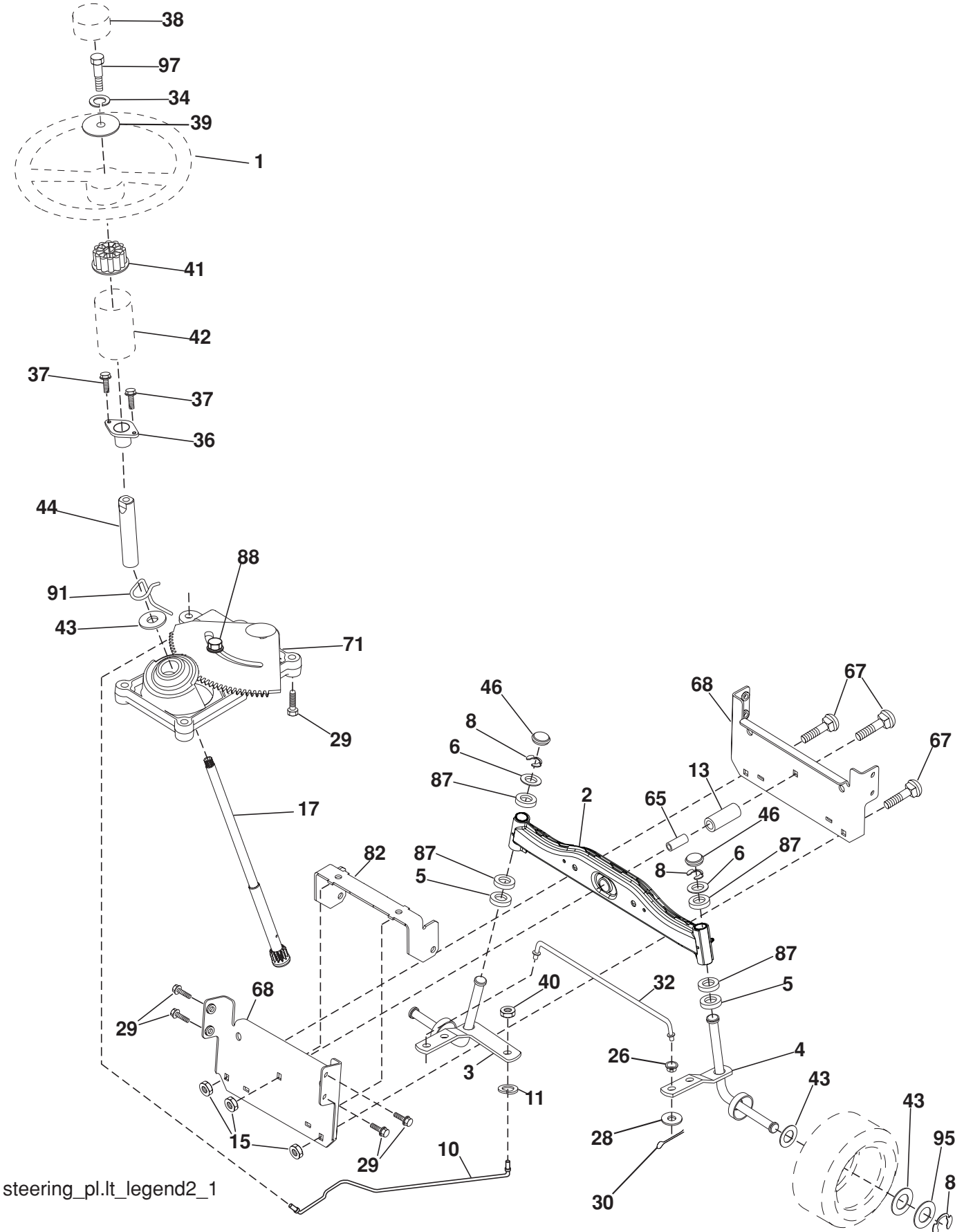
**NOTE:** All component dimensions given in U.S. inches  
1 inch = 25.4 mm.



# REPAIR PARTS

TRACTOR -- MODEL NUMBER PBA195H42LT (96012007900), PRODUCT NO. 960 12 00-79

## STEERING



steering\_pl.lt\_legend2\_1

# REPAIR PARTS

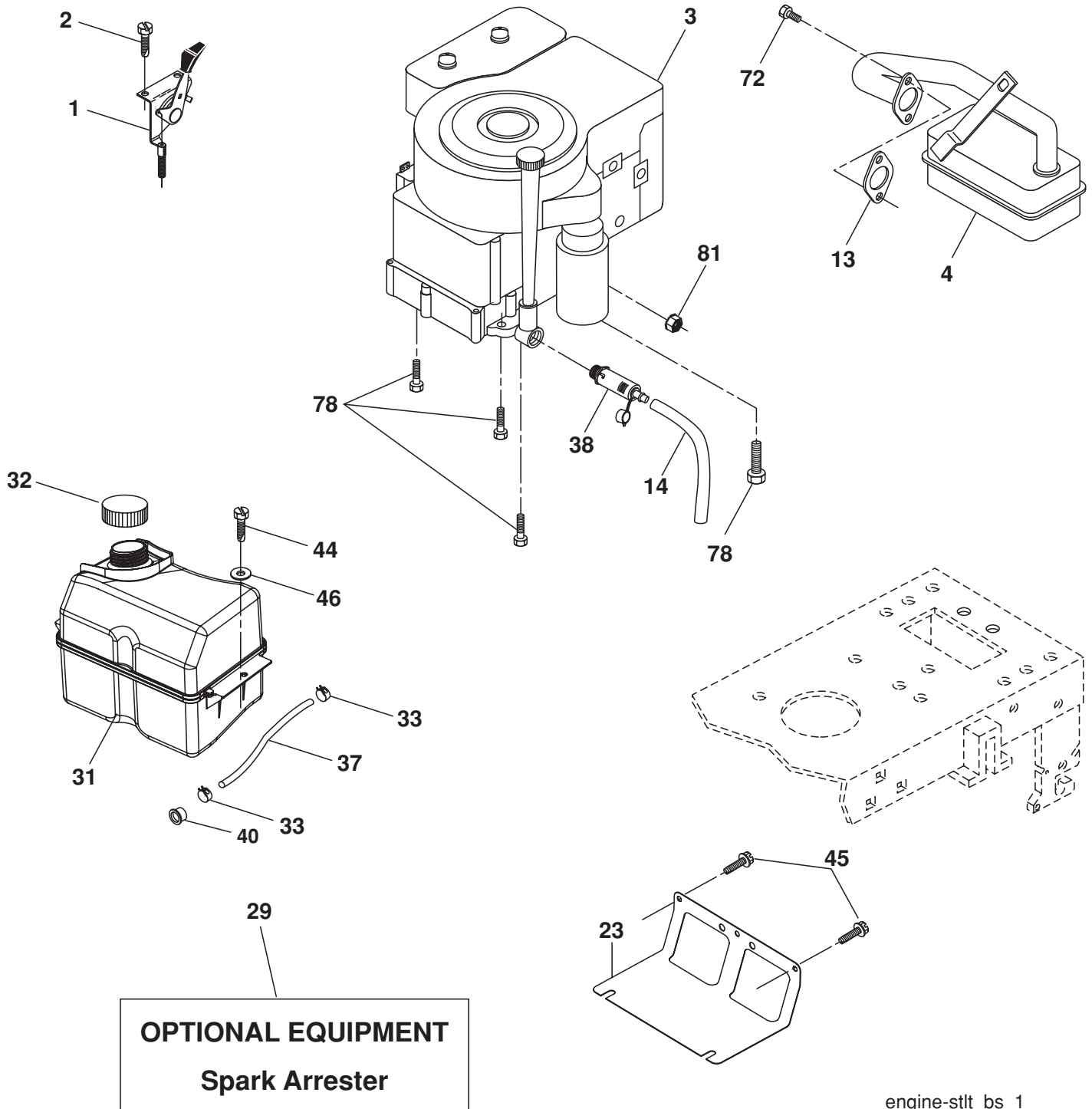
TRACTOR - - MODEL NUMBER PBA195H42LT (96012007900), PRODUCT NO. 960 12 00-79  
STEERING

KEY NO.	PART NO.	DESCRIPTION
1	186093X428	Wheel Steering
2	184706	Axle Asm
3	169840	Spindle Asm LH
4	169839	Spindle Asm RH
5	6266H	Bearing Race Thrust Harden
6	121748X	Washer 25/32 x 1-5/8 x 16 Ga.
8	12000029	Ring Klip #t5304-75
10	175121	Link Drag
11	10040600	Washer Lock Hvy Hlcl Spr 3/8
13	136518	Spacer Axle Front
15	145212	Hexflange Lock
17	411386	Shaft Asm Strg
26	126847X	Bushing Link Drag Blk LR
28	19131416	Washer 13/32 x 7/8 x 16 Ga.
29	17000612	Screw 3/8-16 x 3/4
30	76020412	Pin Cotter 1/8 x 3/4 Cad
32	192757	Rod Tie Wire Form 19 75 Mech
34	10040500	Washer Lock 5/16
36	155099	Bushing Strg 5/8 Id Dash
37	152927	Screw
38	180695X428	Cap Wheel Steer
39	19113812	Washer 11/32 x 2 x 12 Ga.
40	73540600	Nut Crownlock 3/8-24
41	186737	Adaptor Wheel Strg
42	145054X428	Boot Dash Mtl Steering Blk
43	121749X	Washer 25/32 x 1 1/4 x 16 Ga.
44	190752	Extension Steering
46	121232X	Cap Spindle Fr Top Blk
65	414736	Spacer Brace Axle
67	72110618	Bolt RDHD SQNK 3/8-16 x 2-1/4
68	169827	Brace Axle
71	175146	Steering Asm.
82	199978	Bracket Susp Chassis Front
87	173966	Washer Flat .781 x 1 1/2 x .14
88	175118	Bolt Shoulder 7/16-20
91	175553	Clip Steering
95	188967	Washer Harden .793 x 1.637 x 060
97	74780564	Bolt 5/16-18 x 4 Gr.5

**NOTE:** All component dimensions given in U. S.  
inches 1 inch = 25.4 mm.

# REPAIR PARTS

TRACTOR - - MODEL NUMBER PBA195H42LT (96012007900), PRODUCT NO. 960 12 00-79  
ENGINE



**OPTIONAL EQUIPMENT**  
**Spark Arrester**

engine-stlt\_bs\_1

# REPAIR PARTS

TRACTOR - - MODEL NUMBER PBA195H42LT (96012007900), PRODUCT NO. 960 12 00-79  
ENGINE

KEY NO.	PART NO.	DESCRIPTION
1	170551	Control Th/ch Flag
2	17720408	Screw Hex Thd Cut 1/4-20 x 1/2
3	-----	Engine, B&S 31P677 (Order parts from engine manufacturer)
4	137352	Muffler Exhaust B&S
13	165291	Gasket Eng 1 313 Id Tin Plated
14	148456	Tube Drain Oil Easy
23	169837	Shield BRN/DBR Guard
29	137180	Kit Spark Arrestor (Flat Scrn)
31	407545	Tank Fuel Front
32	197725	Cap Asm Fuel
33	123487X	Clamp Hose
37	401137	Line Fuel 20"
38	181654	Plug Drain Oil
40	124028X	Bushing Snap Nyl Blk Fuel Line
44	17670412	Screw Thdrol 1/4-20 x 3/4
45	17000612	Screw Hex Wsh Thdrol 3/8-16
46	19091416	Washer 9/32 x 7/8 x 16 Ga.
72	192334	Screw Socket Head 5/16-18 x 3/4
78	17060620	Screw 3/8-16 x 1-1/4
81	73510400	Nut Keps Hex 1/4-20 unc

**NOTE:** All component dimensions given in U.S. inches  
1 inch = 25.4 mm

For engine service and replacement parts, call the toll free number for your engine manufacturer listed below:

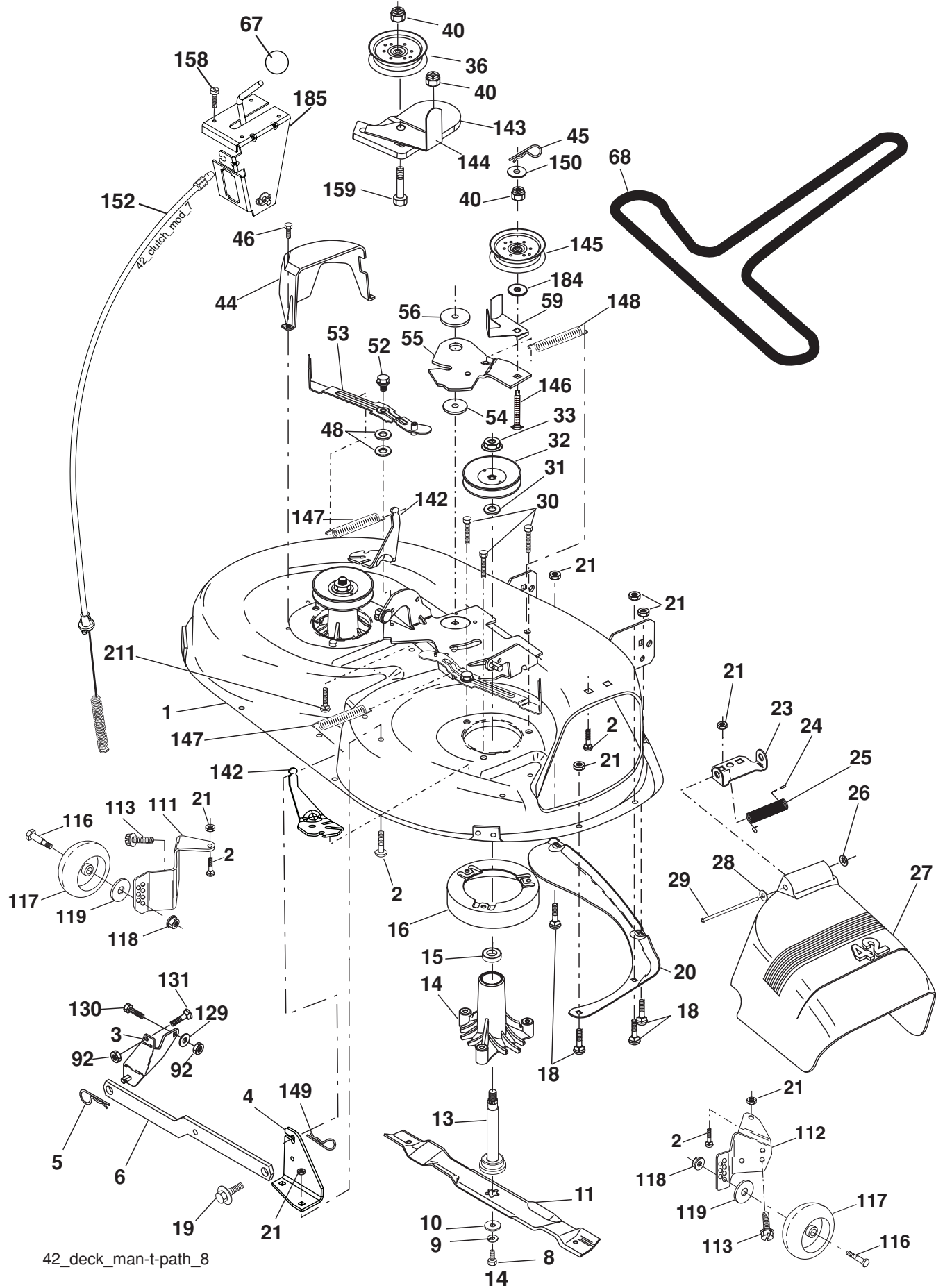
Briggs & Stratton	1-800-233-3723
Kohler Co.	1-800-544-2444
Tecumseh Products	1-800-558-5402
Honda Engines	1-800-426-7701
Kawasaki	1-949-460-5688

## Engine Power Rating Information

The gross power rating for individual gas engine models is labeled in accordance with SAE (Society of Automotive Engineers) code J11940 (Small Engine Power & Torque Rating Procedure), and rating performance has been obtained and corrected in accordance with SAE J1995 (Revision 2002-5). Actual gross engine power will be lower and is affected by, among other things, ambient operating conditions and engine-to-engine variability. Given both the wide array of products on which engines are placed and the variety of environmental issues applicable to operating the equipment, the gas engine will not develop the rated gross power when used in a given piece of power equipment (actual "on-site" or net horsepower). This difference is due to a variety of factors including, but not limited to, accessories (air cleaner, exhaust, charging, cooling, carburetor, fuel pump, etc.), application limitations, ambient operating conditions (temperature, humidity, altitude), and engine-to-engine variability. Due to manufacturing and capacity limitations, Briggs & Stratton may substitute an engine of higher rated power for this Series engine.

# REPAIR PARTS

TRACTOR - - MODEL NUMBER PBA195H42LT (96012007900), PRODUCT NO. 960 12 00-79  
MOWER DECK



# REPAIR PARTS

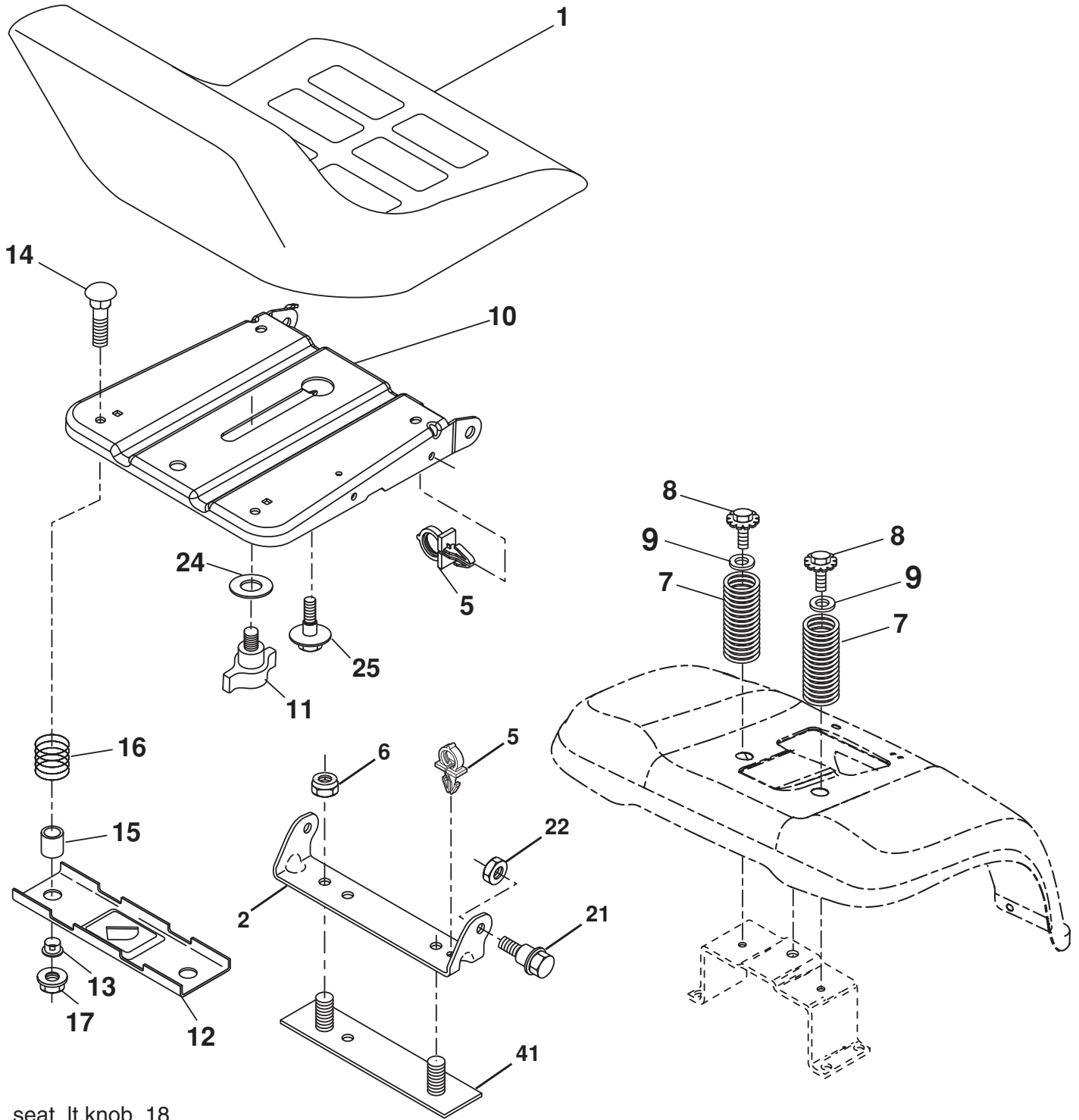
**TRACTOR - - MODEL NUMBER PBA195H42LT (96012007900), PRODUCT NO. 960 12 00-79  
MOWER DECK**

KEY NO.	PART NO.	DESCRIPTION	KEY NO.	PART NO.	DESCRIPTION
1	165892X421	Mower Deck Assembly, 42"	52	139888	Bolt, Shoulder 5/16-18 unc
2	72140506	Bolt	53	184907	Arm Assembly, Pad, Brake
3	138017	Bracket Asm Fr. Sway Bar 3/42	54	178515	Washer, Hardened
4	165460	Bracket Asm Deck 42" Sway Bar	55	155046	Arm, Idler
5	4939M	Retainer Spring	56	122052X	Spacer, Retainer
6	178024	Bar Sway Deck	59	141043	Guard TUV Idler
8	193003	Bolt 7/16-20	67	171598	Knob Round
9	10030600	Washer, Lock	68	144959	V-Belt, 42" Mower
10	140296	Washer, Hardened	92	73800600	Nut Lock Hex
		(The following Blades are available)	111	404784	Bracket Wheel Gauge LH
11	138971	Blade Mower 42" Hi-Lift (for bagging and discharging)	112	404782	Bracket Wheel Gauge RH
--	134149	Blade, Mulching 42" Std (for mulching mowers only)	113	17000510	Blt 5/16-18 Hex
--	139775	Blade Mulching 42" Premium (For better wear when mulching)	116	4898H	Bolt SHLD
13	192872	Shaft Assembly, Mandrel, Vented	117	188606	Wheel Gauge
14	187281	Housing, Mandrel	118	73930600	Nut Centerlock 3/8-16
15	110485X	Bearing, Ball, Mandrel	119	19121414	Washer 3/8 x 7/8 x 14 Ga.
16	174493	Stripper, Mandrel Deck	129	19131312	Washer 13/32 x 13/16 x 12 Ga.
18	72140505	Bolt, Carriage 5/16-18 x 5/8	130	74780616	Bolt Fin Hex
19	132827	Bolt, Shoulder	131	72140608	Bolt RDHD SQNK
20	159770	Baffle, Vortex	142	165890	Arm Spring Brake Mower
21	73680500	Nut	143	157109	Bracket Arm Idler 42"
23	177563	Bracket, Deflector Mower 42"	144	173441	Keeper Belt 42" Clutch Cable
24	105304X	Cap, Sleeve 80 x 112 Blk Mower	145	173437	Pulley Idler Flat
25	123713X	Spring, Torsion, Deflector 2 52	146	173443	Bolt Carriage Idler
26	110452X	Nut, Push Phos & Oil	147	131335	Spring Extension
27	130968X428	Shield, Deflector 42" Blk	148	169022	Spring Return Idler
28	19111016	Washer 11/32 x 5/8 x 16 Ga.	149	165898	Retainer Spring Yellow
29	131491	Rod, Hinge 42" 6 75 W/G	150	19091210	Washer 9/32 x 3/4 x 10 Ga.
30	173984	Screw Thdrol	152	169676	Clutch Cable 42"
31	187690	Washer, Spacer Mower Vented	158	17720408	Screw Hex Thd Cut 1/4-20 x 1/2
32	153535	Pulley, Mandrel	159	72140614	Bolt Rdhd Sqn 3/8-16 unc x 1-3/4
33	400234	Nut, Toplock	184	19131410	Washer 13/32 x 7/8 x 10 Ga.
36	173438	Pulley, Idler, Flat	185	188234	Head Asm Cable Clutch
40	73900600	Nut Lock 3/8-16	211	72110612	Bolt Carr SH 3/8-16 x 1-1/2 Gr.5
44	140088	Guard, Mandrel, LH	--	192870	Mandrel Assembly (Includes housing shaft assembly, and bearing only - pulley/nut/washer and blade bolt/washers not included)
45	4497H	Retainer	--	418808	Replacement Mower, Complete
46	137729	Screw, Thdrol 1/4-20 x 5/8 T			
48	133944	Washer, Hardened			

**NOTE:** All component dimensions given in U.S. inches  
1 inch = 25.4 mm.

# REPAIR PARTS

TRACTOR - - MODEL NUMBER PBA195H42LT (96012007900), PRODUCT NO. 960 12 00-79  
SEAT



seat\_lt.knob\_18

# REPAIR PARTS

TRACTOR - - MODEL NUMBER PBA195H42LT (96012007900), PRODUCT NO. 960 12 00-79  
SEAT

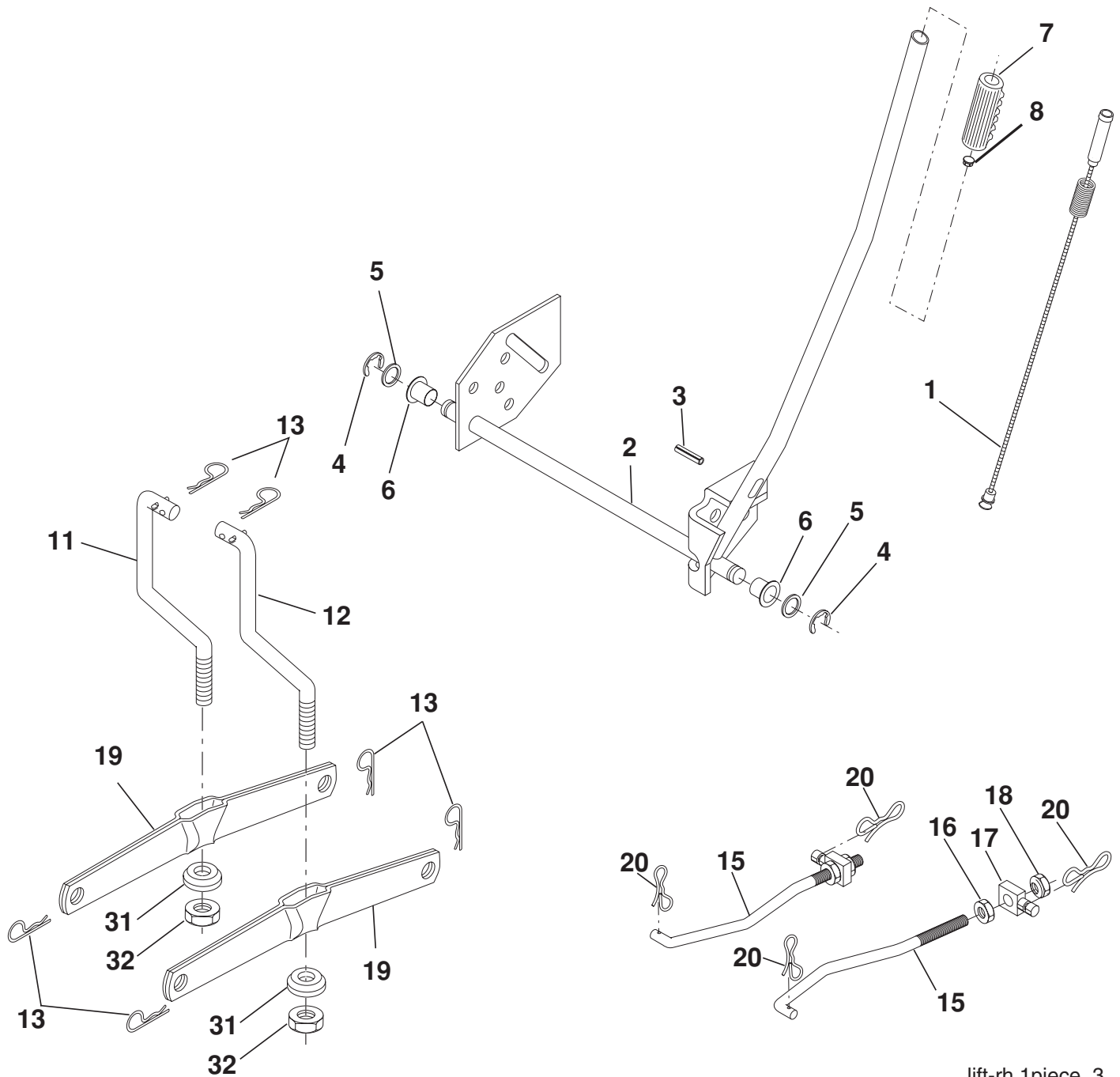
KEY NO.	PART NO.	DESCRIPTION
1	180922	Seat
2	140551	Bracket Seat Pivot
5	145006	Clip Push-In Hinged
6	73800600	Nut Lock Hex w/Ins 3/8 - 16
7	124181X	Spring Seat Cprsn 2 250 Blk Zi
8	17000616	Screw 3/8-16 x 1.5
9	19131614	Washer 13/32 x 1 x 14 Ga.
10	195530	Pan Pnt Seat
11	166369	Knob Seat
12	174648	Bracket Pnt Mounting Switch
13	121248X	Bushing Snap Blk Nyl
14	72050412	Bolt Rdhd Sht Nk 1/4 - 20 x 1 -1/2
15	121249X	Spacer Split .28 x .88
16	123740	Spring Cprsn
17	123976X	Nut Lock 1/4 Lge Flg
21	171852	Bolt Shoulder 5/16-18 unc-2A
22	73800500	Nut Lock Hex w/Ins 5/16 - 18
24	19171912	Washer 17/32 x 1-3/16 x 12 Ga.
25	127018X	Bolt Shoulder 5/16-18 x .62
41	140675	Strap Asm Fender

**NOTE:** All component dimensions given in U.S. inches  
1 inch = 25.4 mm.



# REPAIR PARTS

TRACTOR - - MODEL NUMBER PBA195H42LT (96012007900), PRODUCT NO. 960 12 00-79  
MOWER LIFT



lift-rh.1piece\_3

KEY NO.	PART NO.	DESCRIPTION
1	198417	Wire Asm Inner/Sprg w/plunger
2	198070	Shaft Asm Lift RH
3	188822	Pin Groove 1 500 Zinc
4	12000002	E Ring #5133-62
5	19211621	Washer 21/32 x 1 x 21 Ga.
6	120183X	Bearing Nylon Blk 629 Id
7	125631X	Grip Handle
8	122365X	Button Plunger Red
11	139865	Link Lift LH Fixed Length
12	139866	Link Lift RH Fixed Length
13	4939M	Retainer Spring

KEY NO.	PART NO.	DESCRIPTION
15	173288	Link Front
16	73350800	Nut Jam Hex 1/2-13 unc
17	175689	Trunnion
18	73800800	Nut Lockw/Wsh 1/2-13 unc
19	139868	Arm Suspension Rear
20	194209	Pin Cotter 7/16 Bow Tie Lock
31	169865	Bearing Pvt Lift
32	73540600	Nut Crownlock 3/8-24

**NOTE:** All component dimensions given in U. S. inches 1 inch = 25.4 mm.