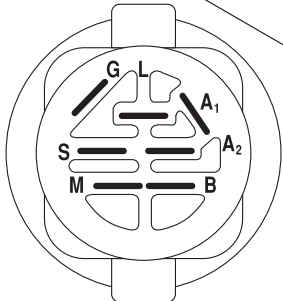
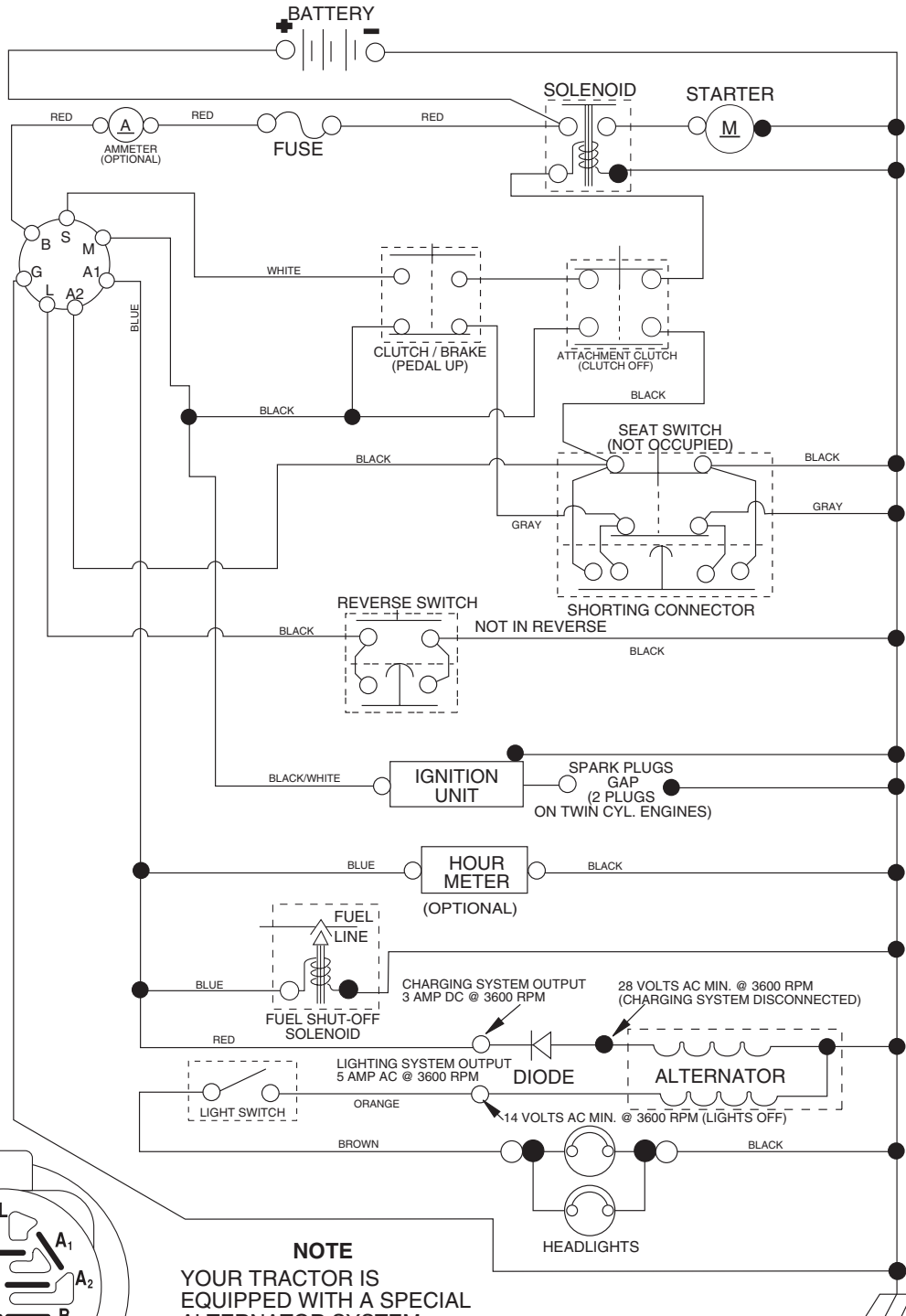


**REPAIR PARTS MANUAL**  
**MODEL NO. 96012007300**  
**Lawn Tractor**

---

**MURRAY**

# TRACTOR -- MODEL NUMBER MX17542LT (96012007300), PRODUCT NO. 960 12 00-73 SCHEMATIC



**IGNITION SWITCH**

POSITION	CIRCUIT	"MAKE"
OFF	M+G+A1	
RUN/OVERRIDE	B+A1	
RUN	B+A1	L+A2
START	B + S + A1	

**NOTE**  
YOUR TRACTOR IS EQUIPPED WITH A SPECIAL ALTERNATOR SYSTEM. THE LIGHTS ARE NOT CONNECTED TO THE BATTERY, BUT HAVE THEIR OWN ELECTRICAL SOURCE. BECAUSE OF THIS, THE BRIGHTNESS OF THE LIGHTS WILL CHANGE WITH ENGINE SPEED. AT IDLE THE LIGHTS WILL DIM. AS THE ENGINE IS SPEEDED UP, THE LIGHTS WILL BECOME THEIR BRIGHTEST.

02836



**WIRING INSULATED CLIPS**  
**NOTE:** IF WIRING INSULATED CLIPS WERE REMOVED FOR SERVICING OF UNIT, THEY SHOULD BE REPLACED TO PROPERLY SECURE YOUR WIRING.



# REPAIR PARTS

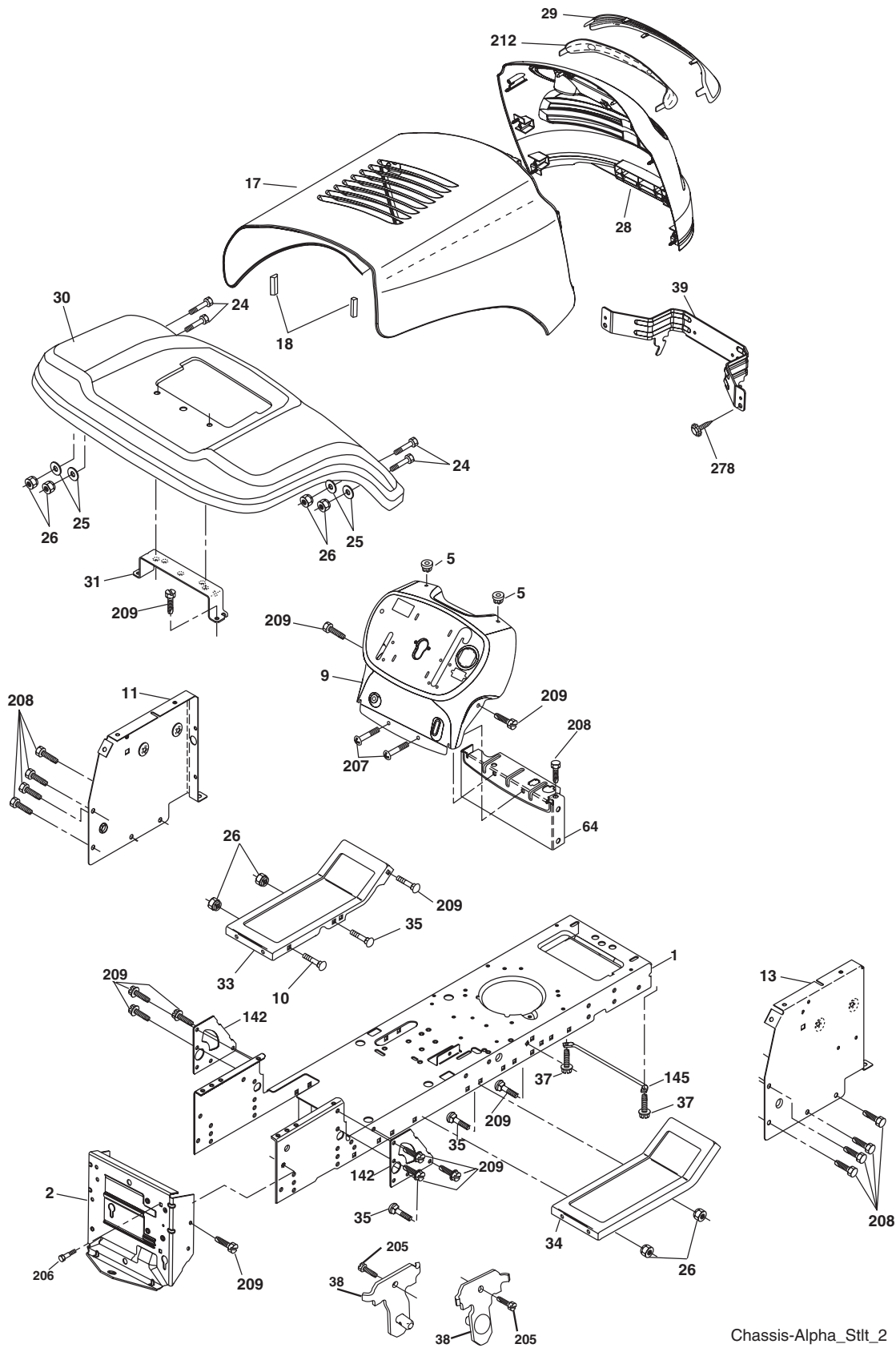
TRACTOR - - MODEL NUMBER MX17542LT (96012007300), PRODUCT NO. 960 12 00-73  
ELECTRICAL

KEY NO.	PART NO.	DESCRIPTION
1	163465	Battery
2	74760412	Bolt Hex Hd 1/4-20 unc x 3/4
8	176689	Box Battery
16	176138	Switch Interlock
21	175688	Harness Asm Light W/4152j
22	4152J	Bulb Light #1156
24	4799J	Cable Battery 6 Ga. 11"red
25	146147	Cable Battery
26	175158	Fuse 20 AMP
27	73510400	Nut Keps Hex 1/4-20 unc
28	4207J	Cable Ground 6 Ga. 12" Black
29	192749	Switch Seat
30	193350	Switch Ign
33	140401	Key Ign
34	110712X	Switch Light/Reset
40	197428	Harness Ign
41	71110408	Bolt Blk Fin Hex 1/4-20
42	131563	Cover Terminal Red
43	192507	Solenoid
48	140844	Adapter Ammeter
52	141940	Protection Wire Loop
90	180449	Cover Terminal Battery
92	196615	Harness Pigtail
93	192540	Screw Plastite 10-14 x 2.0
94	191834	Module Reverse ROS

**NOTE:** All component dimensions given in U. S. inches 1 inch = 25.4 mm.

# REPAIR PARTS

TRACTOR -- MODEL NUMBER MX17542LT (96012007300), PRODUCT NO. 960 12 00-73  
CHASSIS



Chassis-Alpha\_Sttt\_2

# REPAIR PARTS

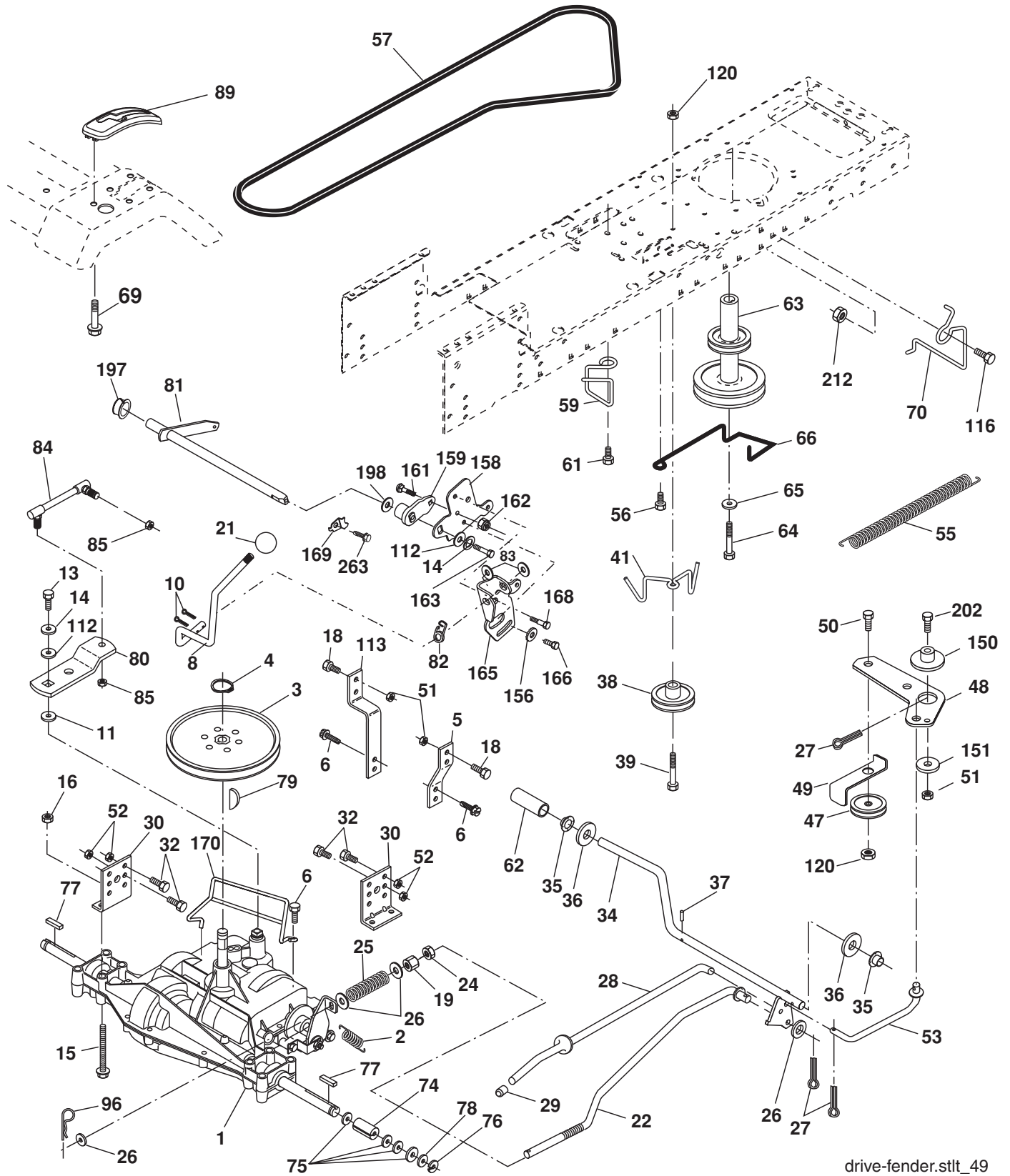
TRACTOR -- MODEL NUMBER MX17542LT (96012007300), PRODUCT NO. 960 12 00-73  
CHASSIS

KEY NO.	PART NO.	DESCRIPTION
1	174619	Chassis
2	176554	Drawbar, Stretch
5	155272	Bumper, Hood/Dash
9	193510X010	Dash
10	72140608	Bolt, Carriage 3/8-16 x 1
11	174996	Panel Dash LH
13	172105X010	Panel Slkscr Dash RH
17	187559X558	Hood
18	184921	Bumper Hood
24	74780616	Bolt Fin Hex 3/8-16 unc x 1 Gr. 5
25	19131312	Washer 13/32 x 13/16 x 12 Ga.
26	73800600	Nut Lock Hex w/Ins 3/8-16 unc
28	187598	Grille/Lens Asm. (Include Key Nos. 29 and 212)
29	187567X599	Lens Grille Bar
30	192526X558	Fender
31	136619	Bracket Fender Repl 109873X
33	179716X558	Footrest Pnt LH
34	179717X558	Footrest Pnt RH
35	72110606	Bolt Rdhd Sht Sqnk 3/8-16 x 3/4
37	17490508	Screw Thdrol 5/16-18 x 1/2 TYT
38	175710	Bracket Asm. Pivot Mower
39	187568	Bracket Pivot
64	154798	Dash Lower
142	175702	Plate Reinforcement
145	409167	Rod Pivot Chassis/Hood
205	17490608	Screw Thdrol 3/8-16 x 1/2
206	170165	Bolt Shoulder 5/16-18
207	17670508	Screw 5/16-18 x 1/2
208	17670608	Screw Thdrol 3/8-16 x 1/2
209	17000612	Screw Hex Wsh Thdrol 3/8-16
212	187569	Insert Lens Reflect
278	191611	Screw 10 x 3/4 Single Lead Hex
---	5479J	Plug Button Blk 359 Dia Choke
--	187801	Plug Dome Plastic

**NOTE:** All component dimensions given in U.S. inches  
1 inch = 25.4 mm.

# REPAIR PARTS

TRACTOR -- MODEL NUMBER MX17542LT (96012007300), PRODUCT NO. 960 12 00-73  
DRIVE



drive-fender.stlt\_49

# REPAIR PARTS

**TRACTOR - - MODEL NUMBER MX17542LT (96012007300), PRODUCT NO. 960 12 00-73 DRIVE**

KEY NO.	PART NO.	DESCRIPTION	KEY NO.	PART NO.	DESCRIPTION
1	-----	Transaxle Dana Model D4360-140	62	8883R	Cover Pedal Blk Round
2	146682	Spring Return Brake	63	175410	Engine Pulley LT/YT
3	123666X	Pulley Transaxle 18"tires	64	173937	Bolt Hex 7/16-20 x 4 Gr. 5
4	12000028	Ring Retainer # 5100-62	65	10040700	Washer Lock Hvy Hlcl Spr 7/16
5	121520X	Strap Torque 30 Degrees RH	66	154778	Keeper Belt Engine
6	17060512	Screw 5/16-18 x 3/4	69	142432	Screw 1/4 x 1/2 unc
8	192706	Rod Shifter Blk	70	134683	Guide Belt Mower Drive RH
10	76020416	Pin Cotter 1/8 x 1 Cad	74	109502X	Spacer Axle
11	105701X	Washer Plate Shf 388 Sq Hole	75	121749X	Washer 25/32 x 1 1/4 x 16 Ga.
13	74550412	Bolt 1/4-28 unf Gr. 8 w/Patch	76	12000001	E-ring #5133-75
14	10040400	Washer Lock Hvy Helical 1/4	77	123583X	Key Square 2 0 x 1845/ 1865
15	74490544	Bolt Hex Flghd 5/16-18 Gr. 5	78	121748X	Washer 25/32 x 1-5/8 x 16 Ga.
16	73800500	Nut 5/16-18	79	2228M	Key Woodruff
18	74780616	Bolt Fin Hex 3/8-16 unc x 1 Gr. 5	80	131488	Arm Shift Transaxle
19	73800600	Nut lock Hex w/lns 3/8-16 Unc	81	165594	Shaft Asm Cross Taper
21	106933X	Knob	82	165711	Spring Torsion Shift
22	130804	Rod Brake LT	83	19171216	Washer 17/32 x 3/4 x 16 Ga.
24	73350600	Nut Hex Jam 3/8-16 unc	84	166229	Link Transaxle
25	106888X	Spring Rod Brake 2 00 Zinc	85	150360	Nut Lock Center 1/4-28
26	19131316	Washer 13/32 x 13/16 x 16 Ga.	89	192053X428	Console Shift
27	76020412	Pin Cotter 1/8 x 3/4 Cad	96	4497H	Retainer Spring 1"
28	175765	Rod Brake Parking LT/YT	112	19091210	Washer 9/32 x 3/4 x 10 Ga.
29	71673	Cap Brake Parking Black	113	127285X	Strap Torque 90 Degrees LH
30	174973	Bracket Transmission	116	72140608	Bolt Rdhd Sq Neck 3/8-16 x 1
32	74760512	Bolt Fin Hex 5/16-18 x 3/4	120	73900600	Nut Lock Flg 3/8-16
34	175578	Shaft Asm Pedal Foot Nibbed	150	175456	Spacer Retainer Lt
35	120183X	Bearing Nylon Blk 629 Id	151	19133210	Washer 13/32 x 2 x 10 Ga.
36	19211616	Washer 21/32 x 1 x 16 Ga.	156	166002	Washer Srrrtd 5/16 ID x 1.0 x .125
37	1572H	Pin Roll 3/16 x 1"	158	165589	Bracket Shift Mount
38	179114	Pulley Composite Flat	159	183900	Hub Shift
39	72110622	Bolt 3/8-16 x 2-3/4	161	72140406	Bolt 1/4-20 x 3/4 Gr. 5
41	175556	Keeper Belt Idler	162	73680400	Nut Crownlock 1/4-20 unc
47	127783	Pulley Idler V Groove Plastic	163	74780416	Bolt Hex Fin 1/4-20 unc x 1 Gr. 5
48	154407	Bellcrank Clutch Grnd Drv STL	165	165623	Bracket Pivot Lever
49	123205X	Retainer Belt Style Spring	166	17490510	Screw 5/16-18 x 5/8
50	72110612	Bolt Carr Sh 3/8-16 x 1-1/2 Gr. 5	168	165492	Bolt Shoulder 5/16-18 x .561
51	73680600	Nut Crownlock 3/8-16 unc	169	165580	Plate Fastening
52	73680500	Nut Crownlock 5/16-18 unc	170	187414	Keeper, Belt Transaxle
53	199652	Link Clutch	197	169613	Nyliner Snap-In 5/8
55	105709X	Spring Return Clutch 6 75	198	169593	Washer Nylon
56	17060620	Screw 3/8-16 x 1-1/4	202	72110614	Bolt Carr Sh 3/8-16 x 1-3/4 Gr. 5
57	160855	V-Belt Ground Drive 95	212	145212	Nut Hex Flg Lock
59	169691	Keeper Belt Chassis Span Ctr	263	17000612	Screw 3/8-16 x 3/4
61	17120614	Screw 3/8-16 x .875			

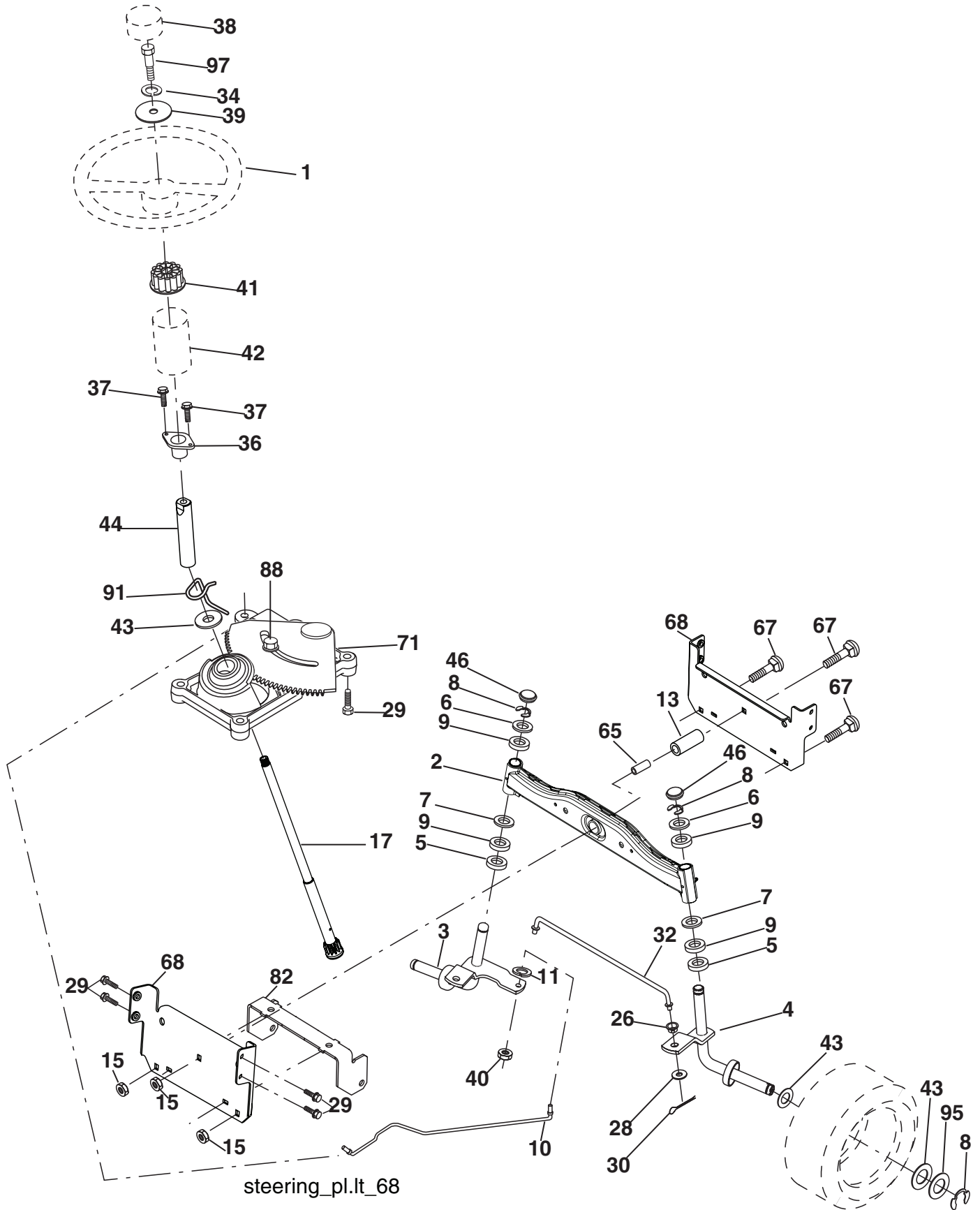
**NOTE:** All component dimensions given in U.S. inches  
1 inch = 25.4 mm



# REPAIR PARTS

TRACTOR -- MODEL NUMBER MX17542LT (96012007300), PRODUCT NO. 960 12 00-73

## STEERING



# REPAIR PARTS

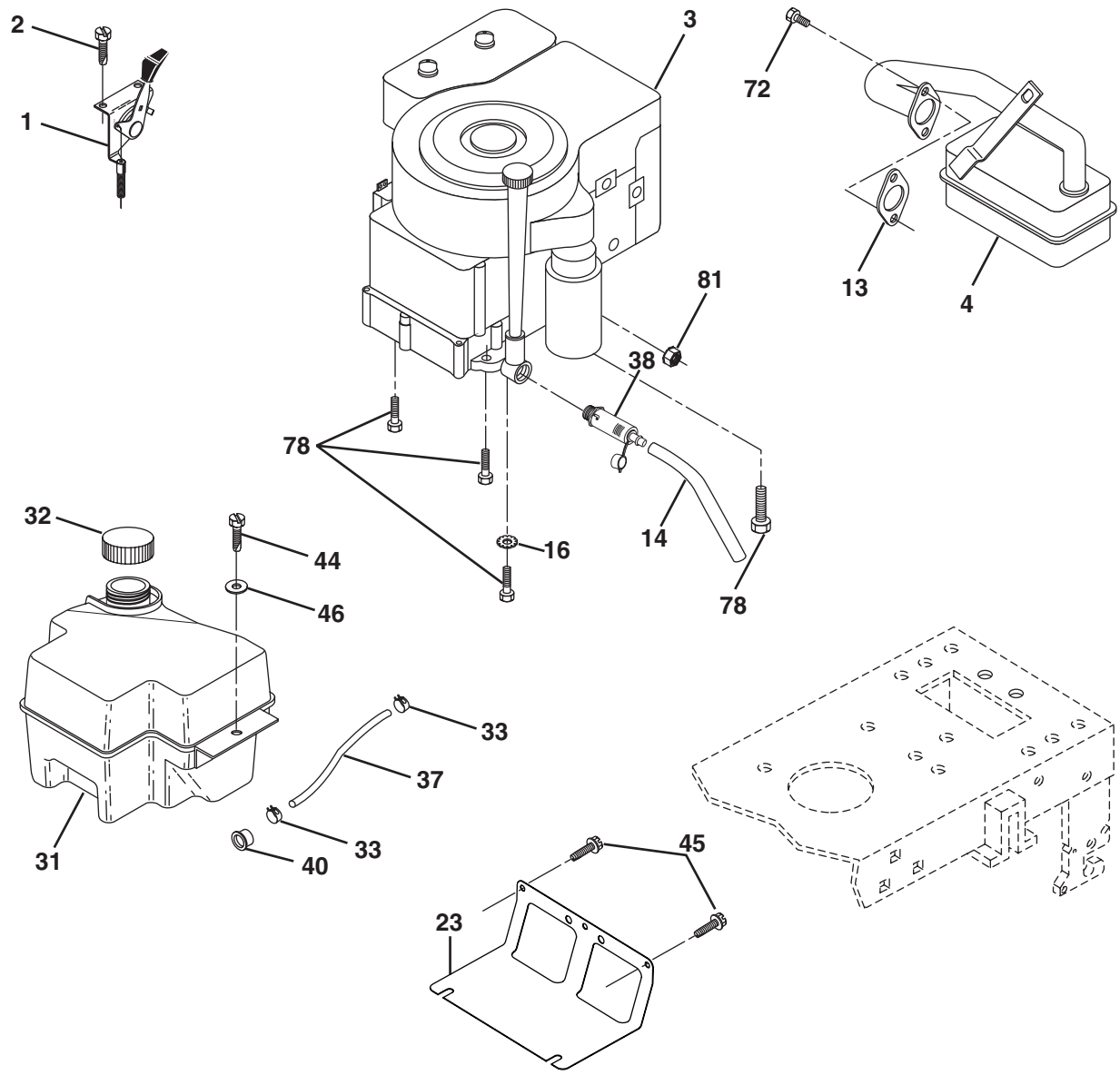
TRACTOR -- MODEL NUMBER MX17542LT (96012007300), PRODUCT NO. 960 12 00-73  
STEERING

KEY NO.	PART NO.	DESCRIPTION
1	186780	Wheel Steering
2	195673	Axle Asm
3	169840	Spindle Asm LH
4	169839	Spindle Asm RH
5	6266H	Bearing Race Thrust Harden
6	121748X	Washer 25/32 x 1-5/8 x 16 Ga.
7	19272016	Washer 27/32 x 1-1/4 x 16 Ga.
8	12000029	Ring Klip #t5304-75
9	3366R	Bearing Col Strg Blk
10	175121	Draglink
11	10040600	Washer Lock Hvy Hlcl Spr 3/8
13	136518	Spacer Axle Front
15	145212	Hexflange Lock
17	411386	Shaft Asm Strg
26	126847X	Bushing Link Drag Blk LR
28	19131416	Washer 13/32 x 7/8 x 16 Ga.
29	17000612	Screw 3/8-16 x 3/4
30	76020412	Pin Cotter 1/8 x 3/4 Cad
32	192757	Rod Tie Wire Form 19 75 Mech
34	10040500	Washer Lock 5/16
36	155099	Bushing Strg 5/8 Id Dash
37	152927	Screw
38	192916	Cap Wheel Steer
39	19113812	Washer 11/32 x 2 x 12 Ga.
40	73540600	Nut Crownlock 3/8-24
41	186737	Adaptor Wheel Strg
42	145054X428	Boot Dash Mtl Steering Blk
43	121749X	Washer 25/32 x 1 1/4 x 16 Ga.
44	190752	Extension Steering
46	121232X	Cap Spindle Fr Top Blk
65	160367	Spacer Brace Axle
67	72110618	Bolt RDHD SQNK 3/8-16 x 2-1/4
68	169827	Brace Axle
71	175146	Steering Asm.
82	199978	Bracket Susp Chassis Front
88	175118	Bolt Shoulder 7/16-20
91	175553	Clip Steering
95	188967	Washer Harden .793 x 1.637 x 060
97	74780564	Bolt 5/16-18 x 4 Gr.5

**NOTE:** All component dimensions given in U.S. inches  
1 inch = 25.4 mm.

# REPAIR PARTS

TRACTOR -- MODEL NUMBER MX17542LT (96012007300), PRODUCT NO. 960 12 00-73  
ENGINE



29

**OPTIONAL EQUIPMENT**  
**Spark Arrester**

engine-bs.1cyl\_16

# REPAIR PARTS

TRACTOR - - MODEL NUMBER MX17542LT (96012007300), PRODUCT NO. 960 12 00-73  
ENGINE

KEY NO.	PART NO.	DESCRIPTION
1	170551	Control Th/ch Flag
2	17720408	Screw Hex Thd Cut 1/4-20 x 1/2
3	-----	Engine, B&S 31C707
4	137352	Muffler Exhaust B&S
13	165291	Gasket Eng 1 313 Id Tin Plated
14	148456	Tube Drain Oil Easy
23	169837	Shield BRN/DBR Guard
29	137180	Kit Spark Arrestor (Flat Scrn)
31	407516	Tank Fuel Front
32	197725	Cap Asm Fuel
33	123487X	Clamp Hose
37	401137	Line Fuel 20"
38	181654	Plug Drain Oil
40	124028X	Bushing Snap Nyl Blk Fuel Line
44	17490412	Screw Thdrol 1/4-20 x 3/4
45	17000612	Screw Hex Wsh Thdrol 3/8-16
46	19091416	Washer 9/32 x 7/8 x 16 Ga.
72	192334	Screw Socket Head 5/16-18 x 3/4
78	17060620	Screw 3/8-16 x 1-1/4
81	73510400	Nut Keps Hex 1/4-20 unc

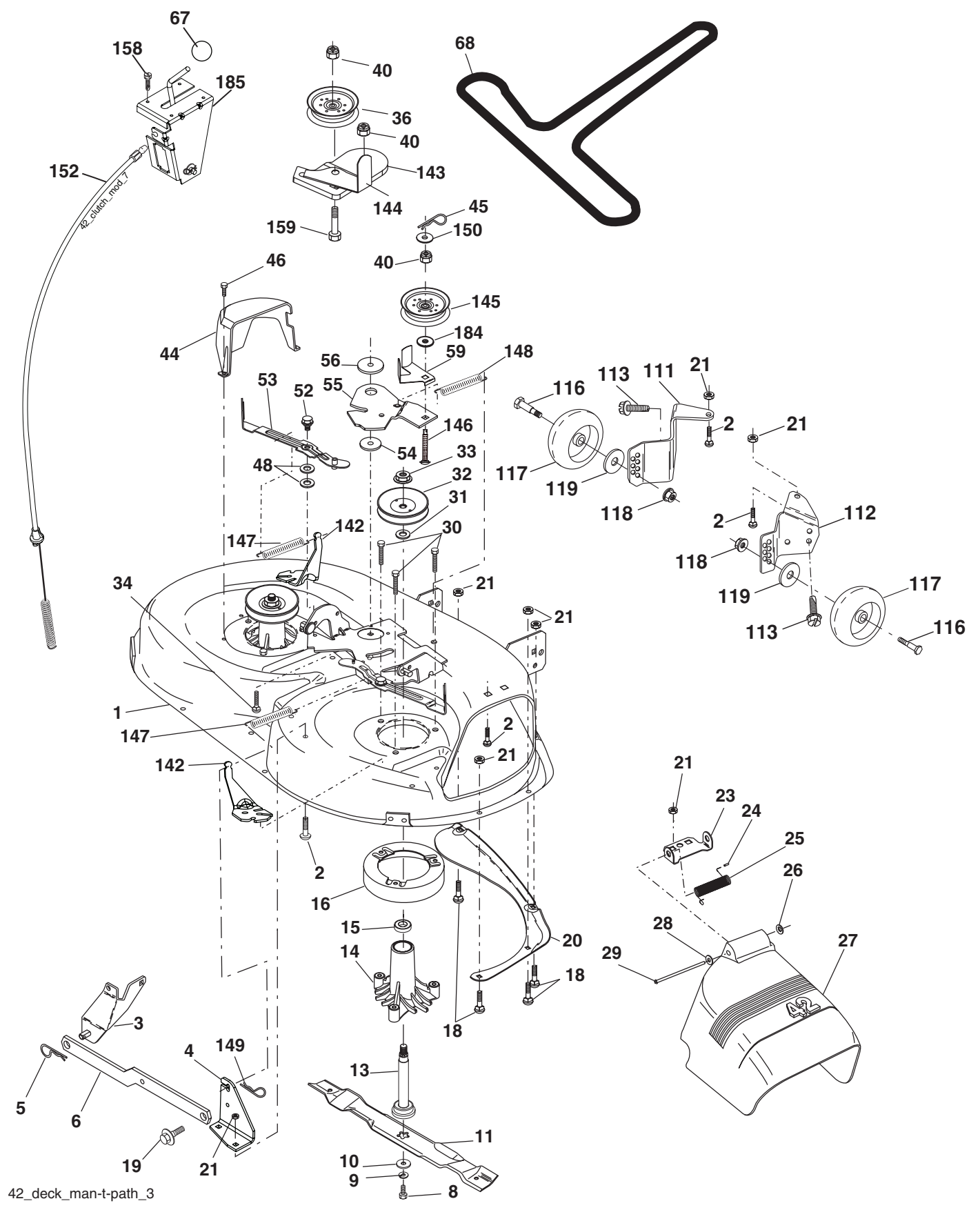
**NOTE:** All component dimensions given in U.S. inches  
1 inch = 25.4 mm

## Engine Power Rating Information

The gross power rating for individual gas engine models is labeled in accordance with SAE (Society of Automotive Engineers) code J11940 (Small Engine Power & Torque Rating Procedure), and rating performance has been obtained and corrected in accordance with SAE J1995 (Revision 2002-5). Actual gross engine power will be lower and is affected by, among other things, ambient operating conditions and engine-to-engine variability. Given both the wide array of products on which engines are placed and the variety of environmental issues applicable to operating the equipment, the gas engine will not develop the rated gross power when used in a given piece of power equipment (actual "on-site" or net horsepower). This difference is due to a variety of factors including, but not limited to, accessories (air cleaner, exhaust, charging, cooling, carburetor, fuel pump, etc.), application limitations, ambient operating conditions (temperature, humidity, altitude), and engine-to-engine variability. Due to manufacturing and capacity limitations, Briggs & Stratton may substitute an engine of higher rated power for this Series engine.

# REPAIR PARTS

TRACTOR -- MODEL NUMBER MX17542LT (96012007300), PRODUCT NO. 960 12 00-73  
MOWER DECK



42\_deck\_man-t-path\_3

# REPAIR PARTS

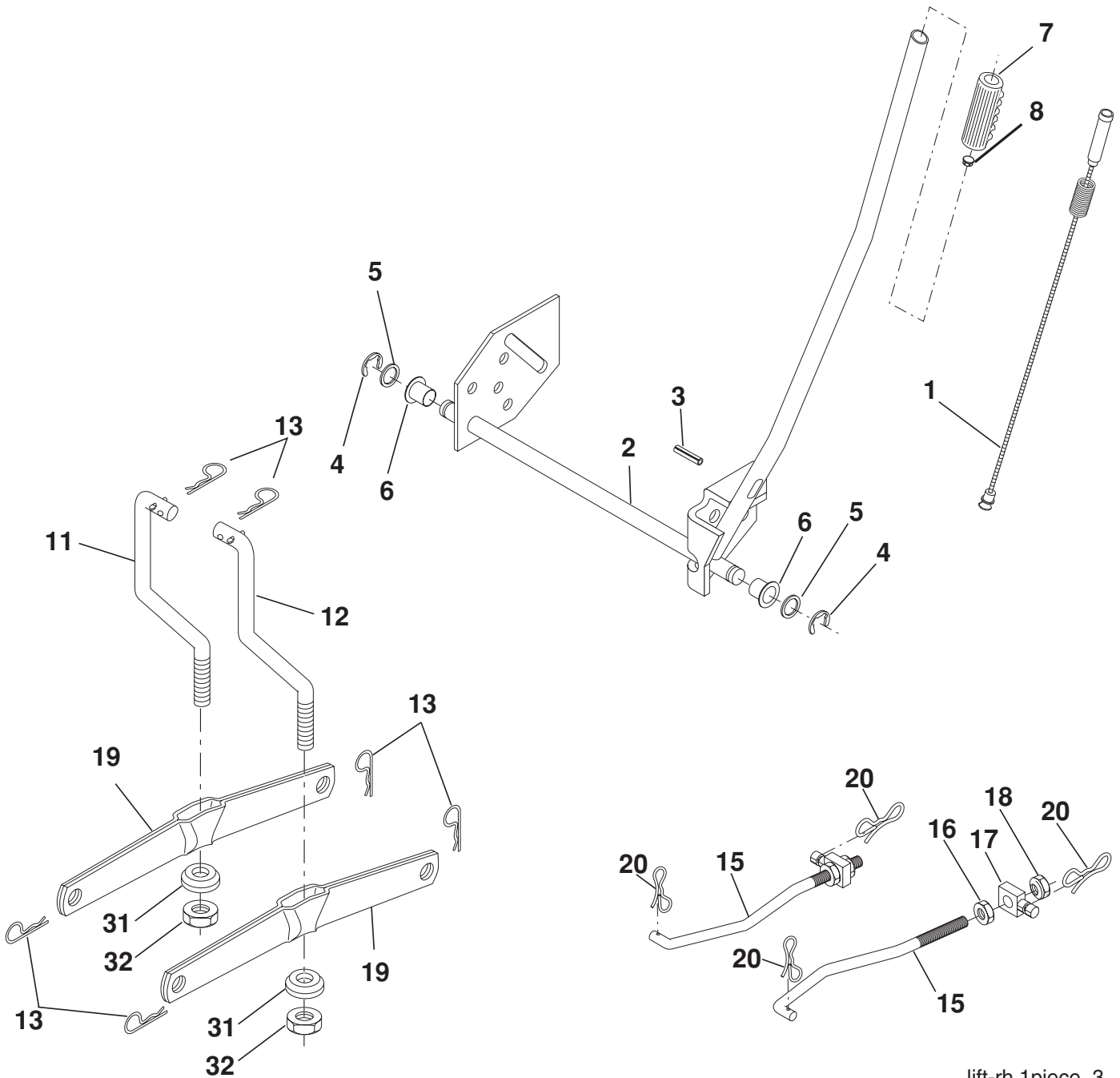
**TRACTOR -- MODEL NUMBER MX17542LT (96012007300), PRODUCT NO. 960 12 00-73  
MOWER DECK**

KEY NO.	PART NO.	DESCRIPTION	KEY NO.	PART NO.	DESCRIPTION
1	165892	Mower Deck Assembly, 42"	45	4497H	Retainer
2	72140506	Bolt	46	137729	Screw, Thdrol 1/4-20 x 5/8 T
3	138017	Bracket Asm Fr. Sway Bar 3/42	48	133944	Washer, Hardened
4	165460	Bracket Asm Deck 42" Sway Bar	52	139888	Bolt, Shoulder 5/16-18 unc
5	4939M	Retainer Spring	53	184907	Arm Assembly, Pad, Brake
6	178024	Bar Sway Deck	54	178515	Washer, Hardened
8	850857	Bolt 3/8-24 x 1.25 Gr. 8 patched	55	155046	Arm, Idler
9	10030600	Washer, Lock	56	165723	Spacer, Retainer
10	140296	Washer, Hardened	59	141043	Guard TUV Idler
		(The following Blades are available)	67	106932X	Knob Round
11	138971	Blade Mower 42" Hi-Lift (for bagging and discharging)	68	144959	V-Belt, 42" Mower
--	134149	Blade, Mulching 42" Std (for mulching mowers only)	111	404784	Bracket Wheel Gauge LH
--	139775	Blade Mulching 42" Premium (For better wear when mulching)	112	404785	Bracket Wheel Gauge RH
13	137645	Shaft Assembly, Mandrel, Vented	113	1700051	Bolt 5/16-18 Hex WHS
14	128774	Housing, Mandrel, Vented	116	4898H	Bolt, Shoulder "A" 2.41 "B" 1.66
15	110485X	Bearing, Ball, Mandrel	117	188606	Wheel, Gauge
16	174493	Stripper, Mandrel Deck	118	73930600	Nut Centerlock 3/8 - 16 UNC
18	72140505	Bolt, Carriage 5/16-18 x 5/8	119	19121414	Washer 3/8 x 7/8 x 14 Ga.
19	132827	Bolt, Shoulder	142	165890	Arm Spring Brake Mower
20	159770	Baffle, Vortex	143	157109	Bracket Arm Idler 42"
21	73680500	Nut	144	158634	Keeper Belt 42" Clutch Cable
23	177563	Bracket, Deflector Mower 42"	145	165888	Pulley Idler Flat
24	105304X	Cap, Sleeve 80 x 112 Blk Mower	146	171977	Bolt Carriage Idler
25	123713X	Spring, Torsion, Deflector 2 52	147	131335	Spring Extension
26	110452X	Nut, Push Phos & Oil	148	169022	Spring Return Idler
27	130968X428	Shield, Deflector 42" Blk	149	165898	Retainer Spring Yellow
28	19111016	Washer 11/32 x 5/8 x 16 Ga.	150	19091210	Washer 9/32 x 3/4 x 10 Ga.
29	131491	Rod, Hinge 42" 6 75 W/G	152	169676	Clutch Cable 42"
30	173984	Screw Thdrol	158	17720408	Screw Hex Thd Cut 1/4-20 x 1/2
31	187690	Washer, Spacer Mower Vented	159	72140614	Bolt Rdhd Sqn 3/8-16 unc x 1-3/4
32	153535	Pulley, Mandrel	184	19131410	Washer 13/32 x 7/8 x 10 Ga.
33	400234	Nut, Toplock	185	188234	Head Asm Cable Clutch
34	72110612	Bolt Carr SH 3/8-16 x 1-1/2 Gr.5	--	130794	Mandrel Assembly (Includes Housing Shaft and Shaft Hardware Only - Pulley Not Included)
36	131494	Pulley, Idler, Flat	--	171491	Replacement Mower, Complete
40	73900600	Nut Lock 3/8-16			
44	140088	Guard, Mandrel, LH			

**NOTE:** All component dimensions given in U.S. inches  
1 inch = 25.4 mm

# REPAIR PARTS

TRACTOR -- MODEL NUMBER MX17542LT (96012007300), PRODUCT NO. 960 12 00-73  
MOWER LIFT



lift-rh.1piece\_3

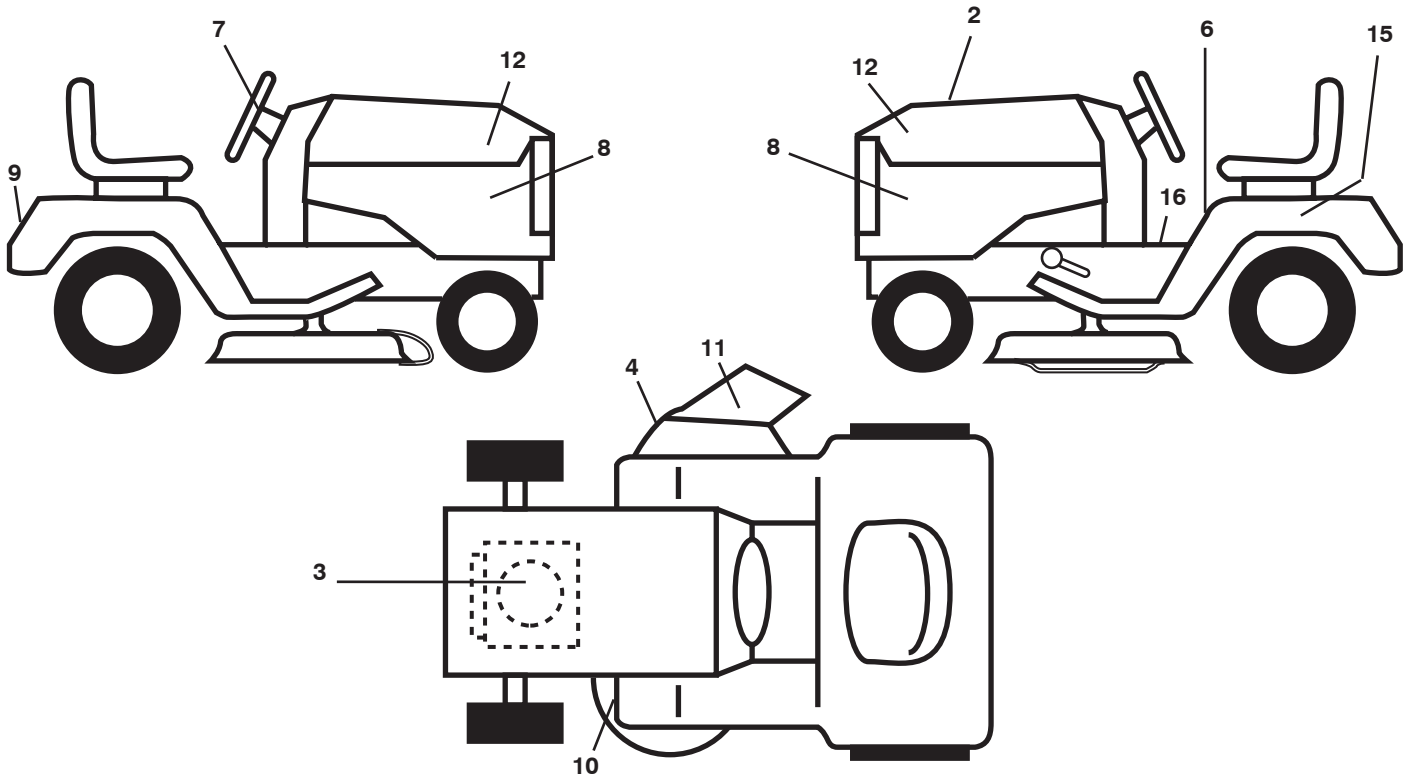
KEY NO.	PART NO.	DESCRIPTION
1	159460	Wire Asm Inner/Sprg w/plunger
2	159471	Shaft Asm Lift RH
3	105767X	Pin Groove 1 500 Zinc
4	12000002	E Ring #5133-62
5	19211621	Washer 21/32 x 1 x 21 Ga.
6	120183X	Bearing Nylon Blk 629 Id
7	125631X	Grip Handle
8	124526X	Button Plunger Black
11	139865	Link Lift LH Fixed Length
12	139866	Link Lift RH Fixed Length
13	4939M	Retainer Spring

KEY NO.	PART NO.	DESCRIPTION
15	173288	Link Front
16	73350800	Nut Jam Hex 1/2-13 unc
17	175689	Trunnion
18	73800800	Nut Lockw/Wsh 1/2-13 unc
19	139868	Arm Suspension Rear
20	194209	Pin Cotter 7/16 Bow Tie Lock
31	169865	Bearing Pvt Lift
32	73540600	Nut Crownlock 3/8-24

**NOTE:** All component dimensions given in U.S. inches  
1 inch = 25.4 mm.

# REPAIR PARTS

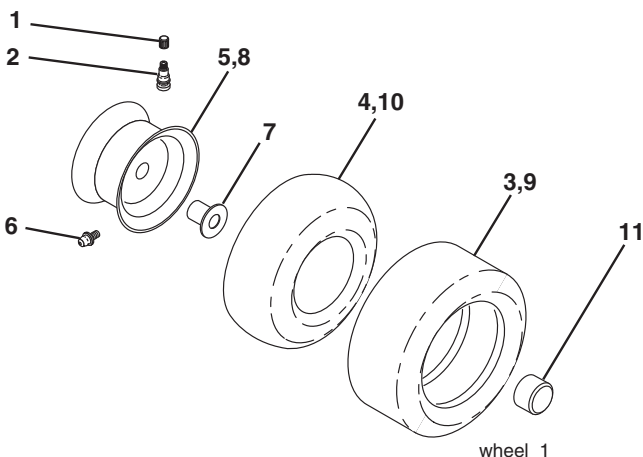
TRACTOR -- MODEL NUMBER MX17542LT (96012007300), PRODUCT NO. 960 12 00-73  
DECALS



KEY NO.	PART NO.	DESCRIPTION
2	196315	Decal, Replacement
3	408819	Decal, Engine HP
4	170563	Decal Warning
6	157140	Decal, Fender Danger English
7	404678	Decal Str Wh
8	412410	Decal, Side Panel
9	404677	Decal, Fender
10	160396	Decal, V-Belt Sch.

KEY NO.	PART NO.	DESCRIPTION
12	404676	Decal, Hood
15	145005	Decal, Caution, Battery
16	193863	Decal, Oper
--	138311	Decal, Handle Lft Height Adj.
--	412418	Manual, Operator's (E&F)
--	412419	Manual, Parts (E&F)

## WHEELS & TIRES



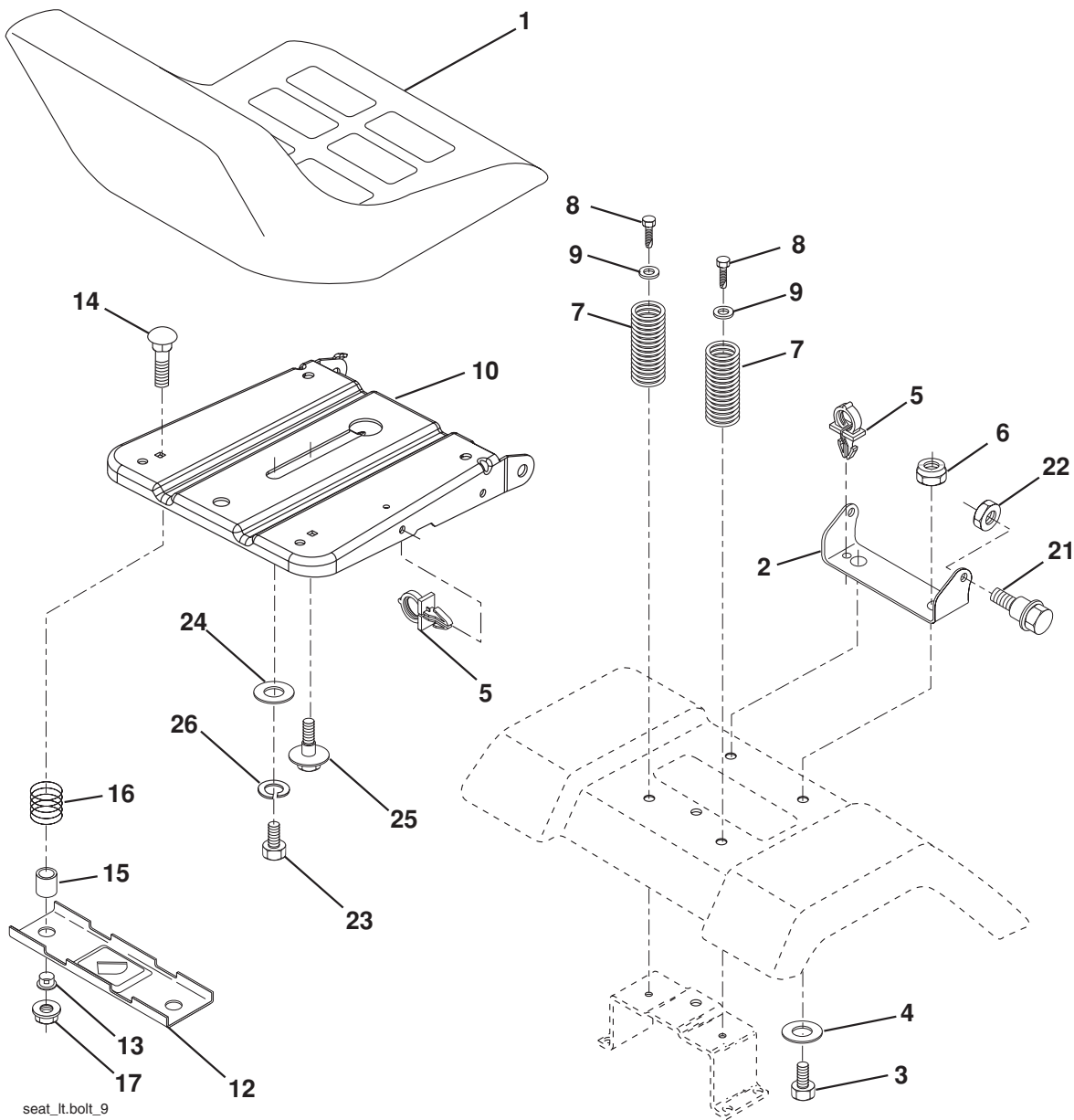
KEY NO.	PART NO.	DESCRIPTION
1	59192	Cap, Tire valve
2	65139	Stem, Valve
3	124157X	Tire, Front
4	59904	Tube, Front (Service item only)
5	106732X624	Rim assembly, 6" front
6	278H	Fitting, Grease (Front wheel only)
7	9040H	Bearing, Flange (Front wheel only)
8	106108X624	Rim assembly, 8" rear
9	123969X	Tire, Rear
10	7152J	Tube, Rear (Service item only)
11	104757X428	Cap, Hub Axle
--	144334	Sealant, Tire (10 oz. Tube)

**NOTE:** All component dimensions given in U.S. inches  
1 inch = 25.4 mm



# REPAIR PARTS

TRACTOR -- MODEL NUMBER MX17542LT (96012007300), PRODUCT NO. 960 12 00-73  
SEAT



seat\_lt.bolt\_9

KEY NO.	PART NO.	DESCRIPTION
1	401042	Seat
2	140551	Bracket Seat Pivot
3	71110616	Bolt Hex 3/8 - 16 x 1
4	19131610	Washer 13/32 x 1 x10 Ga.
5	145006	Clip Push-In Hinged
6	73800600	Nut Lock Hex w/Ins 3/8 - 16
7	124181X	Spring Seat Cprsn 2 250 Blk Zi
8	17000616	Screw 3/8-16 x 1.5
9	19131614	Washer 13/32 x 1 x 14 Ga.
10	195530	Pan Pnt Seat
12	174648	Bracket Pnt Mounting Switch
13	121248X	Bushing Snap Blk Nyl

KEY NO.	PART NO.	DESCRIPTION
14	72050412	Bolt Rdhd Sht Nk 1/4 - 20 x 1 -1/2
15	134300	Spacer Split .28 x .96
16	121250X	Spring Cprsn
17	123976X	Nut Lock 1/4 Lge Flg
21	171852	Bolt Shoulder 5/16-18 unc-2A
22	73800500	Nut Lock Hex w/Ins 5/16 - 18
23	71110814	Bolt Hex
24	19171912	Washer 17/32 x 1-3/16 x 12 Ga.
25	127018X	Bolt Shoulder 5/16-18 x .62
26	10040800	Washer Lock Hvy Hlcl Spr 1/2

**NOTE:** All component dimensions given in U.S. inches  
1 inch = 25.4 mm.