

# **ILLUSTRATED PARTS LIST**

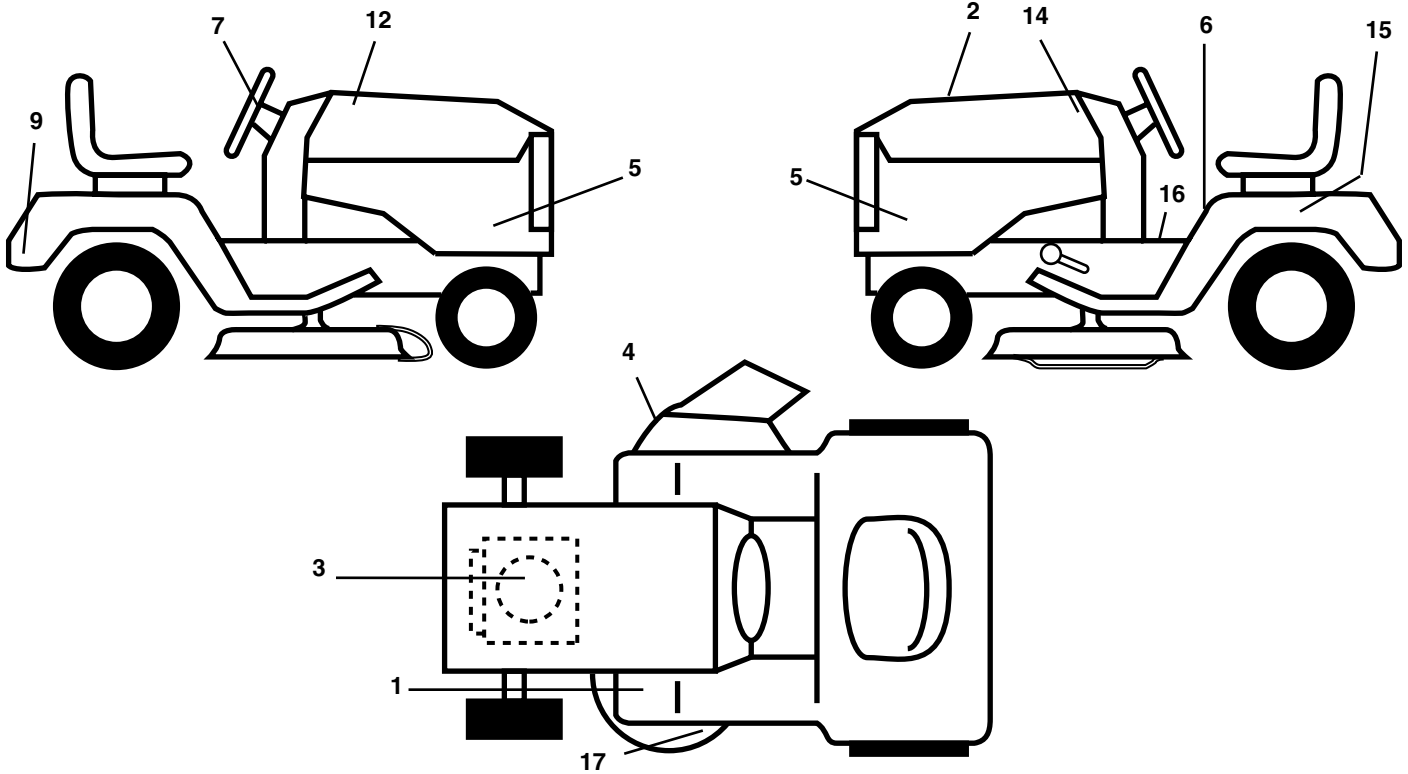
**MODEL NO. 96012004401**

**CUSTOMER CATALOG NO. PB1638LT**

**PRODUCT NO. 960 12 00-44**

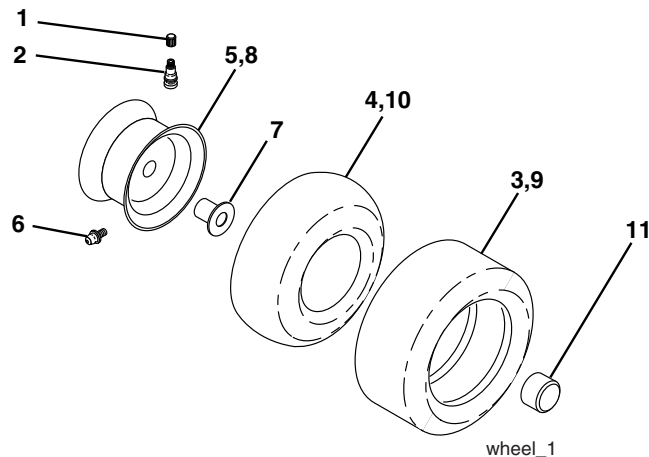
# REPAIR PARTS

TRACTOR - - MODEL NUMBER PB1638LT (96012004401). PRODUCT NO. 960 12 00-44  
DECALS



KEY NO.	PART NO.	DESCRIPTION	KEY NO.	PART NO.	DESCRIPTION
1	181251	Decal, Clutch Brake	12	194543	Decal, Hood RH
2	<b>401492</b>	Decal, Replacement	14	194544	Decal, Hood LH
3	189683	Decal, Engine HP	15	145005	Decal, Caution, Battery
4	170563	Decal Warning	16	<b>193863</b>	Decal, Oper Sdl P/L Gear Dr Eng
5	401063	Decal, SDPNL	17	194302	Decal, V-Belt Sch.
6	157140	Decal, Fender Danger English	--	138311	Decal, Handle Lft Height Adj.
7	189705	Decal Ins Str Wh	--	<b>401487</b>	Manual, Operator's E&F
9	158166	Decal Fender	--	<b>401536</b>	Manual, Parts E&F

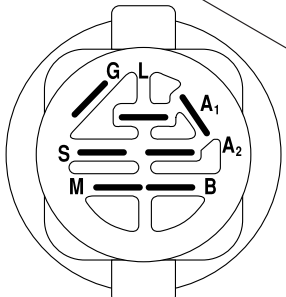
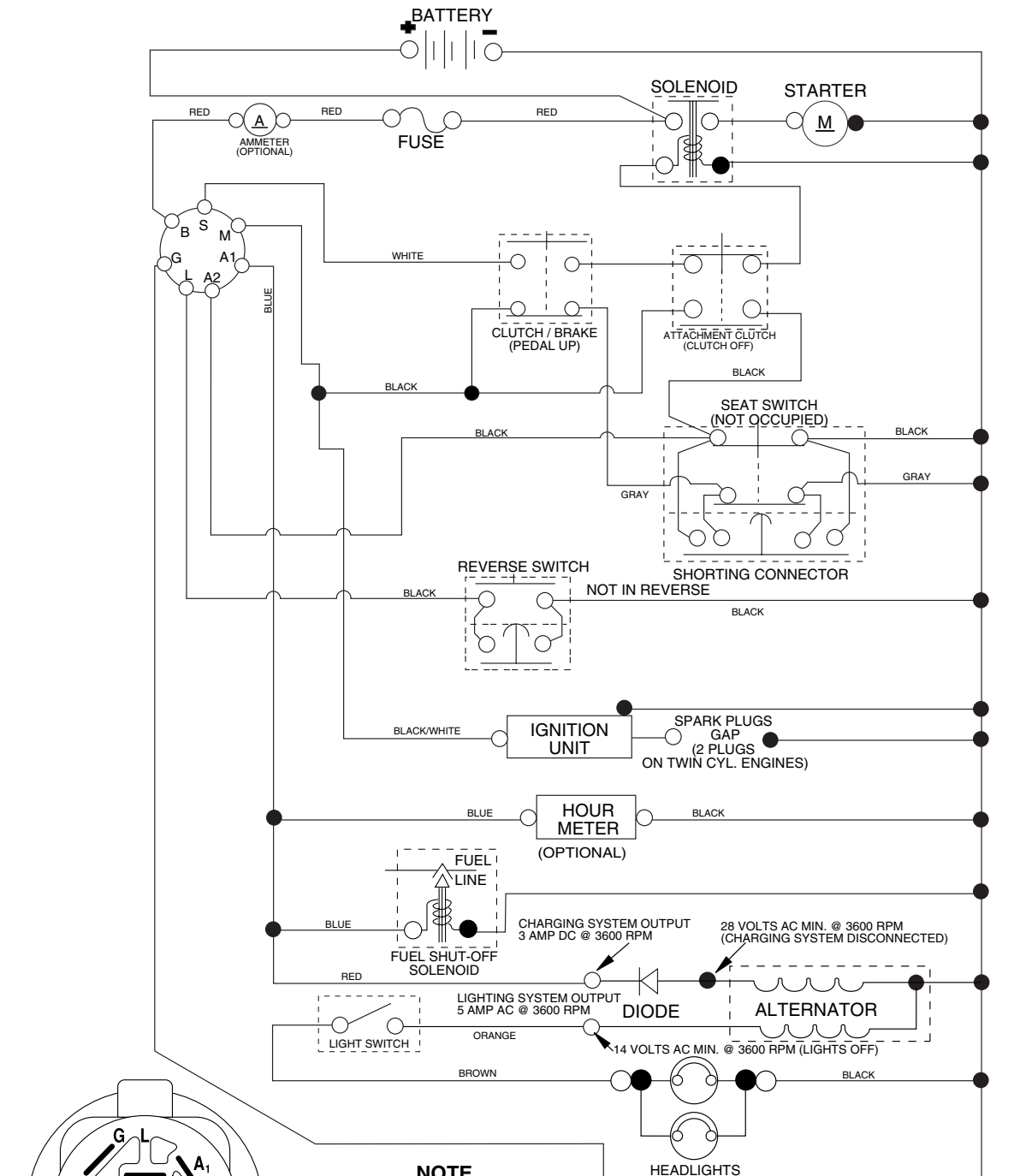
## WHEELS & TIRES



KEY NO.	PART NO.	DESCRIPTION
1	59192	Cap, Tire valve
2	65139	Stem, Valve
3	124157X	Tire, Front
4	59904	Tube, Front (Service item only)
5	106732X624	Rim assembly, 6" front
6	278H	Fitting, Grease (Front wheel only)
7	9040H	Bearing, Flange (Front wheel only)
8	106108X624	Rim assembly, 8" rear
9	123969X	Tire, Rear
10	7152J	Tube, Rear (Service item only)
11	104757X428	Cap, Hub Axle
--	144334	Sealant, Tire (10 oz. Tube)

**NOTE:** All component dimensions given in U.S. inches  
1 inch = 25.4 mm

# TRACTOR - - MODEL NUMBER PB1638LT (96012004401). PRODUCT NO. 960 12 00-44 SCHEMATIC



**IGNITION SWITCH**

POSITION	CIRCUIT "MAKE"
OFF	M+G+A1
RUN/OVERRIDE	B+A1
RUN	B+A1 L+A2
START	B + S + A1

**NOTE**  
YOUR TRACTOR IS EQUIPPED WITH A SPECIAL ALTERNATOR SYSTEM. THE LIGHTS ARE NOT CONNECTED TO THE BATTERY, BUT HAVE THEIR OWN ELECTRICAL SOURCE. BECAUSE OF THIS, THE BRIGHTNESS OF THE LIGHTS WILL CHANGE WITH ENGINE SPEED. AT IDLE THE LIGHTS WILL DIM. AS THE ENGINE IS SPEEDED UP, THE LIGHTS WILL BECOME THEIR BRIGHTEST.

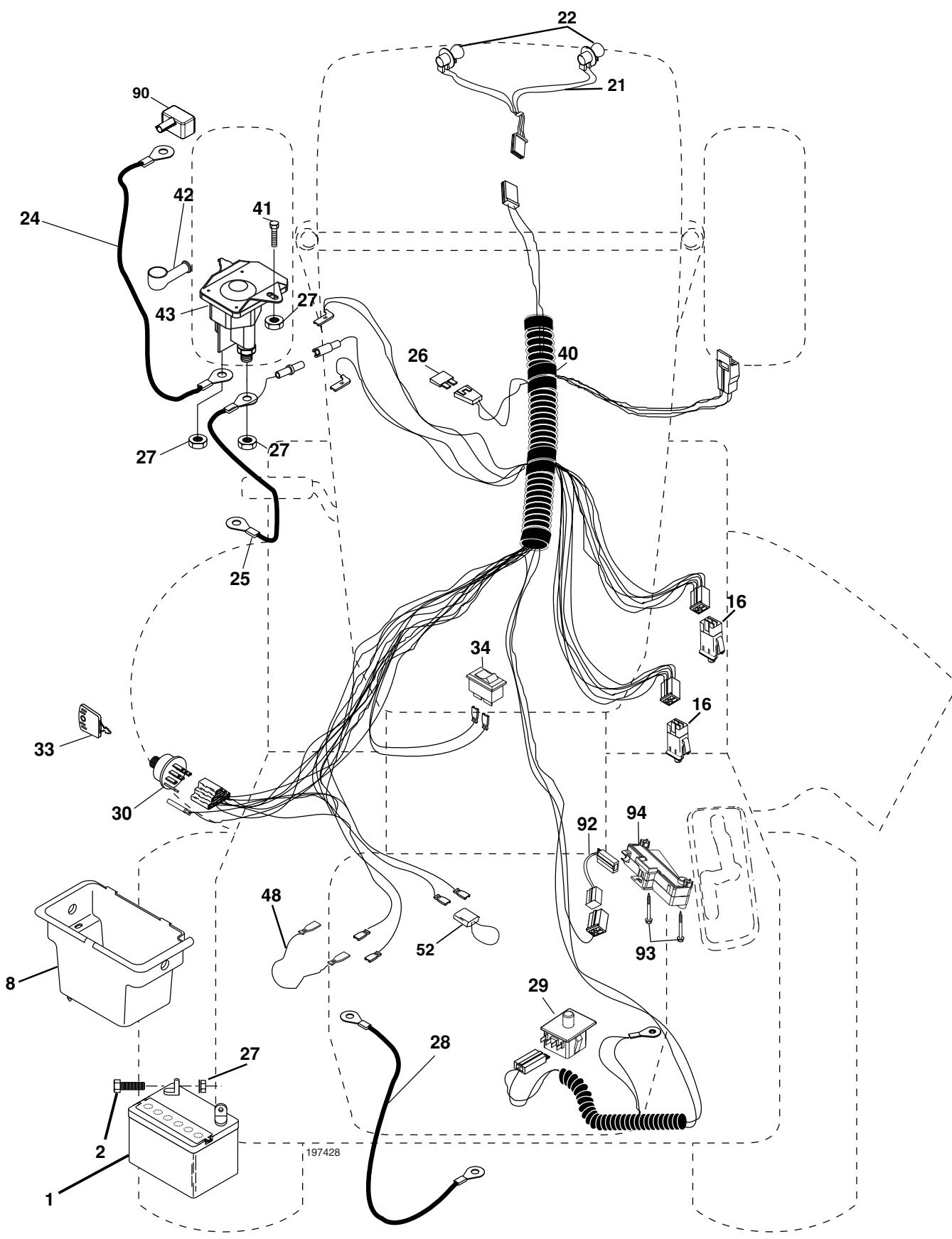
● NON-REMOVABLE CONNECTIONS  
○ REMOVABLE CONNECTIONS

**WIRING INSULATED CLIPS**  
**NOTE:** IF WIRING INSULATED CLIPS WERE REMOVED FOR SERVICING OF UNIT, THEY SHOULD BE REPLACED TO PROPERLY SECURE YOUR WIRING.

02836

# REPAIR PARTS

TRACTOR -- MODEL NUMBER PB1638LT (96012004401). PRODUCT NO. 960 12 00-44  
ELECTRICAL



# REPAIR PARTS

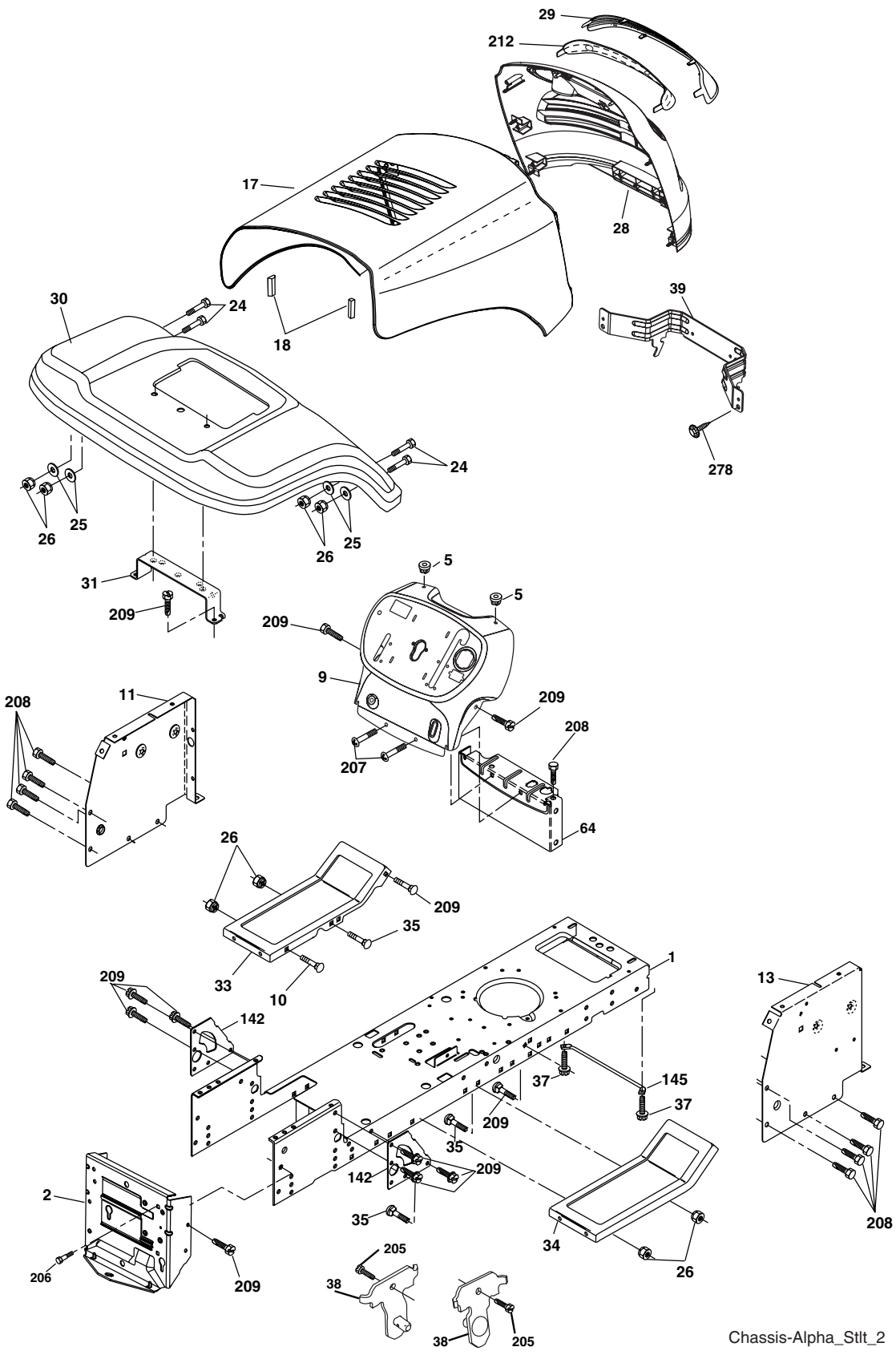
TRACTOR - - MODEL NUMBER PB1638LT (96012004401). PRODUCT NO. 960 12 00-44  
ELECTRICAL

KEY NO.	PART NO.	DESCRIPTION
1	163465	Battery
2	74760412	Bolt Hex Hd 1/4-20 unc x 3/4
8	176689	Box Battery
16	176138	Switch Interlock
21	175688	Harness Asm Light W/4152j
22	4152J	Bulb Light #1156
24	4799J	Cable Battery 6 Ga. 11"red
25	146147	Cable Battery
26	175158	Fuse 20 AMP
27	73510400	Nut Keps Hex 1/4-20 unc
28	4207J	Cable Ground 6 Ga. 12"black
29	192749	Switch
30	193350	Switch Ign
33	140401	Key Ign
34	110712X	Switch Light/Reset
40	197428	Harness Ign
41	71110408	Bolt Blk Fin Hex 1/4-20
42	131563	Cover Terminal Red
43	192507	Solenoid
48	140844	Adapter Ammeter
52	141940	Protection Wire Loop
90	180449	Cover Terminal Battery
92	<b>196615</b>	Harness Pigtail
93	192540	Screw Plastite 10-14 x 2.0
94	191834	Module Reverse

**NOTE:** All component dimensions given in U. S. inches 1 inch = 25.4 mm.

# REPAIR PARTS

TRACTOR - - MODEL NUMBER PB1638LT (96012004401). PRODUCT NO. 960 12 00-44  
CHASSIS



Chassis-Alpha\_Stlt\_2

# REPAIR PARTS

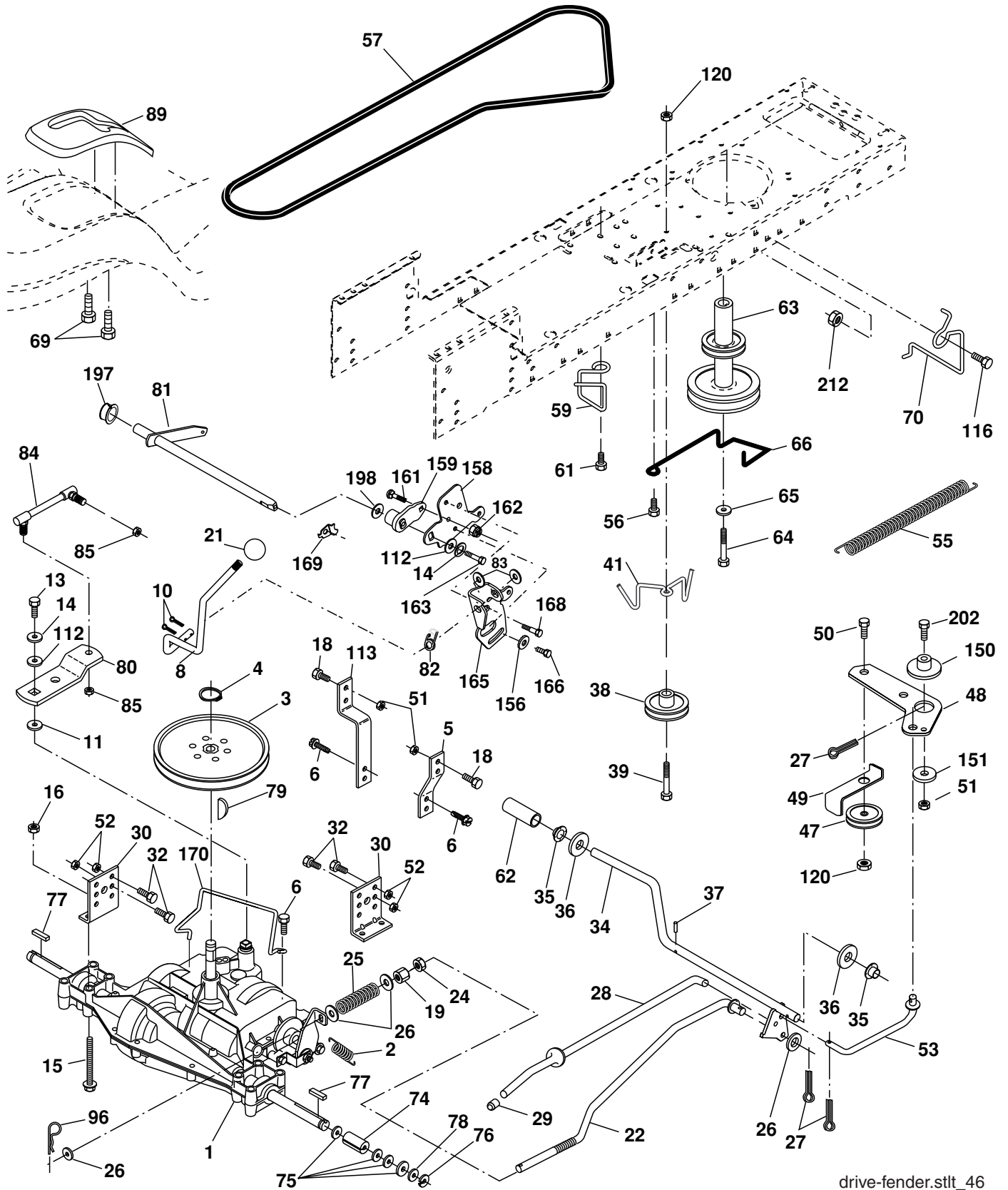
TRACTOR -- MODEL NUMBER PB1638LT (96012004401). PRODUCT NO. 960 12 00-44  
CHASSIS

KEY NO.	PART NO.	DESCRIPTION
1	174619	Chassis
2	176554	Drawbar, Stretch
5	155272	Bumper, Hood/Dash
9	193510X010	Dash
10	72140608	Bolt, Carriage 3/8-16 x 1
11	174996	Panel Dash LH
13	172105X010	Panel Silscr Dash RH
17	187559X428	Hood
18	184921	Bumper Hood
24	74780616	Bolt Fin Hex 3/8-16 unc x 1 Gr. 5
25	19131312	Washer 13/32 x 13/16 x 12 Ga.
26	73800600	Nut Lock Hex w/Ins 3/8-16 unc
28	187598	Grille/Lens Asm (Include Key nos. 29 and 212)
29	187567X599	Lens Grille Basic Bar
30	192526X428	Fender
31	136619	Bracket Fender Repl 109873X
33	179716X428	Footrest Pnt LH
34	179717X428	Footrest Pnt RH
35	72110606	Bolt Rdhd Sht Sqnk 3/8-16 x 3/4
37	17490508	Screw Thdrol 5/16-18 x 1/2 TYT
38	175710	Bracket Asm. Pivot Mower
39	187568	Bracket Pivot
64	154798	Dash Lower
142	175702	Plate Reinforcement
145	156524	Rod Pivot Chassis/Hood
205	17490608	Screw Thdrol 3/8-16 x 1/2
206	170165	Bolt Shoulder 5/16-18
207	17670508	Screw Thdrol 5/16-18 x 1/2
208	17670608	Screw Thdrol 3/8-16 x 1/2
209	17000612	Screw Hex Wsh Thdrol 3/8-16
212	187569	Insert Lens Reflect
278	191611	Screw 10 x 3/4 Single Lead-Hex
--	5479J	Plug Button Blk 359 Dia Choke
--	187801	Plug Dome Plastic

**NOTE:** All component dimensions given in U.S. inches  
1 inch = 25.4 mm.

# REPAIR PARTS

TRACTOR - - MODEL NUMBER PB1638LT (96012004401). PRODUCT NO. 960 12 00-44  
DRIVE



drive-fender.stlt\_46



# REPAIR PARTS

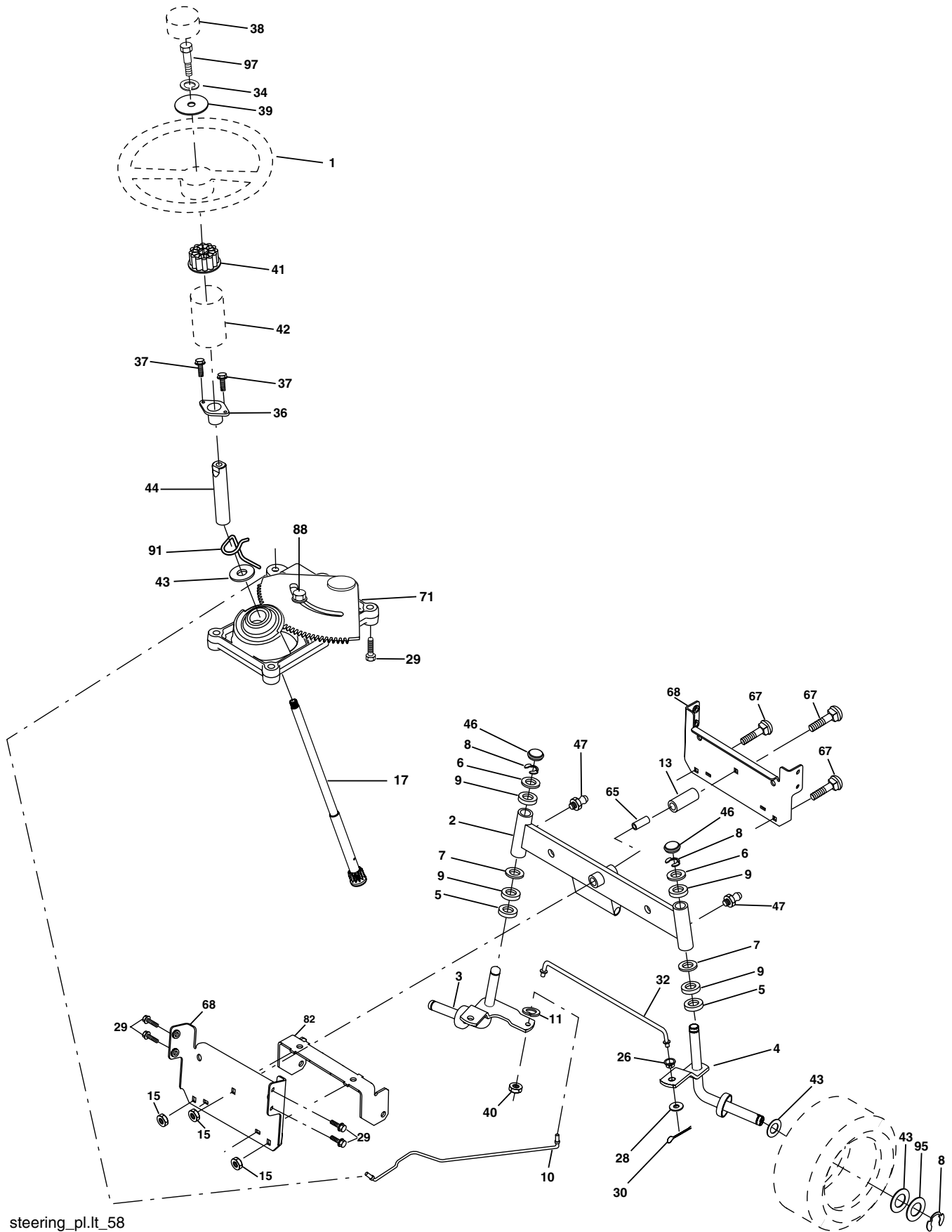
TRACTOR - - MODEL NUMBER PB1638LT (96012004401). PRODUCT NO. 960 12 00-44  
DRIVE

KEY NO.	PART NO.	DESCRIPTION	KEY NO.	PART NO.	DESCRIPTION
1	-----	Transaxle Dana D4360-139 (See Breakdown)	63	175410	Pulley, Engine
2	146682	Spring Brake Return	64	173937	Bolt Hex 7/16-20 x 4 Gr. 5-1.5
3	123666X	Pulley Transaxle	65	10040700	Washer Lock 7/16
4	12000028	Ring Retainer	66	154778	Keeper Belt Engine Hydro
5	121520X	Strap Torque 30 Degrees	69	142432	Screw Hex Wsh Hi-Lo 1/4 x 1/2 unc
6	17000512	Screw 5/16-18 x 3/4	70	134683	Keeper Belt Engine
8	192706	Rod Shift Fender Adjust	74	109502X	Spacer
10	76020416	Pin Cotter 1/8 x 1 CAD	75	121749X	Washer 25/32 x 1-1/4 x 16 Ga.
11	105701X	Washer Plate Shift	76	12000001	E-Ring
13	74550412	Bolt 1/4-28 unF Gr. 8 W/Patch	77	123583X	Key, Square
14	10040400	Washer Lock Hvy Helical	78	121748X	Washer 25/32 x 1-5/8 x 16 Ga.
15	74490544	Bolt Hex FLGHD 5/16-18 x Gr. 5	79	2228M	Key Woodruff
16	73800500	Nut Lock Hex W/Ins. 5/16-18 unc	80	131488	Arm Shift
18	74780616	Bolt Fin Hex 3/8-16 x 1 Gr. 5	81	165594	Shaft Asm Cross Tapered
19	73800600	Nut Lock Hex W/Wsh 3/8-16 unc	82	165711	Spring Torsion
21	106933X	Knob	83	19171216	Washer 17/32 x 3/4 x 16 Ga.
22	130804	Rod, Brake	84	166229	Link Transaxle
24	73350600	Nut, Hex Jam 3/8-16 unc	85	150360	Nut Lock Center 1/4-20
25	106888X	Spring, Brake Rod	89	192054X428	Console, Shift
26	19131316	Washer 13/32 x 13/16 Ga.	96	4497H	Retainer Spring 1" Zinc/Cad
27	76020412	Pin Cotter 1/8 x 3/4 CAD.	112	19091210	Washer 9/32 x 3/4 x 10 Ga.
28	175765	Rod, Parking Brake	113	127285X	Strap Torque 90 Degrees
29	71673	Cap, Parking Brake	116	72140608	Bolt Rdhd Sqneck 3/8-16 x 1.25
30	174973	Bracket, Transaxle	120	73900600	Nut Lock Flg 3/8-16
32	74760512	Bolt Hex Hd 5/16-18 unc x 3/4	150	175456	Spacer Retainer
34	175578	Shaft, Foot Pedal	151	19133210	Washer 13/32 x 2 x 10 Ga.
35	120183X	Bearing, Nylon	156	166002	Washer Srrted 5/16 ID x 1.125
36	19211616	Washer	158	165589	Bracket Shift Mount
37	1572H	Pin, Roll	159	183900	Hub Shift
38	179114	Pulley, Composite, Flat	161	72140406	Bolt Rdhd Sqnk 1/4-20 x 3/4 Gr. 5
39	72110622	Bolt Fin Hex 3/8-16 x 2-3/4	162	73680400	Nut Crownlock 1/4-20 unc
41	175556	Keeper, Belt Idler	163	74780416	Bolt Hex Fin 1/4-20 unc x 1 Gr. 5
47	127783	Pulley, Idler, V-Groove	165	165623	Bracket Pivot Lever
48	154407	Bellcrank, Clutch	166	17490510	Screw 5/16-18 x 5/8
49	123205X	Retainer, Belt	168	165492	Bolt Shoulder 5/16-18 x .561
50	72110612	Bolt Carr 3/8-16 x 1-1/2	169	165580	Plate Fastening
51	73680600	Nut Crownlock 3/8-16 unc	170	187414	Keeper Belt T/A
52	73680500	Nut, Crownlock 5/16-18 unc	197	169613	Nyliner Snap-In 5/8"ID
53	199652	Link, Clutch	198	169593	Washer Nyl
55	105709X	Spring, Return, Clutch	202	72110614	Bolt Carr Sh 3/8-16 x 1-3/4 Gr. 5
56	17060620	Screw 3/8-16 x 1-1/4	212	145212	Nut Hex Flg. Lock
57	160855	V-Belt			
59	169691	Keeper, Center Span			
61	17120614	Screw, 3/8-16 x .875			
62	8883R	Cover, Pedal			

**NOTE:** All component dimensions given in U.S. inches  
1 inch = 25.4 mm

# REPAIR PARTS

TRACTOR - - MODEL NUMBER PB1638LT (96012004401). PRODUCT NO. 960 12 00-44  
STEERING



steering\_pl.ft\_58

# REPAIR PARTS

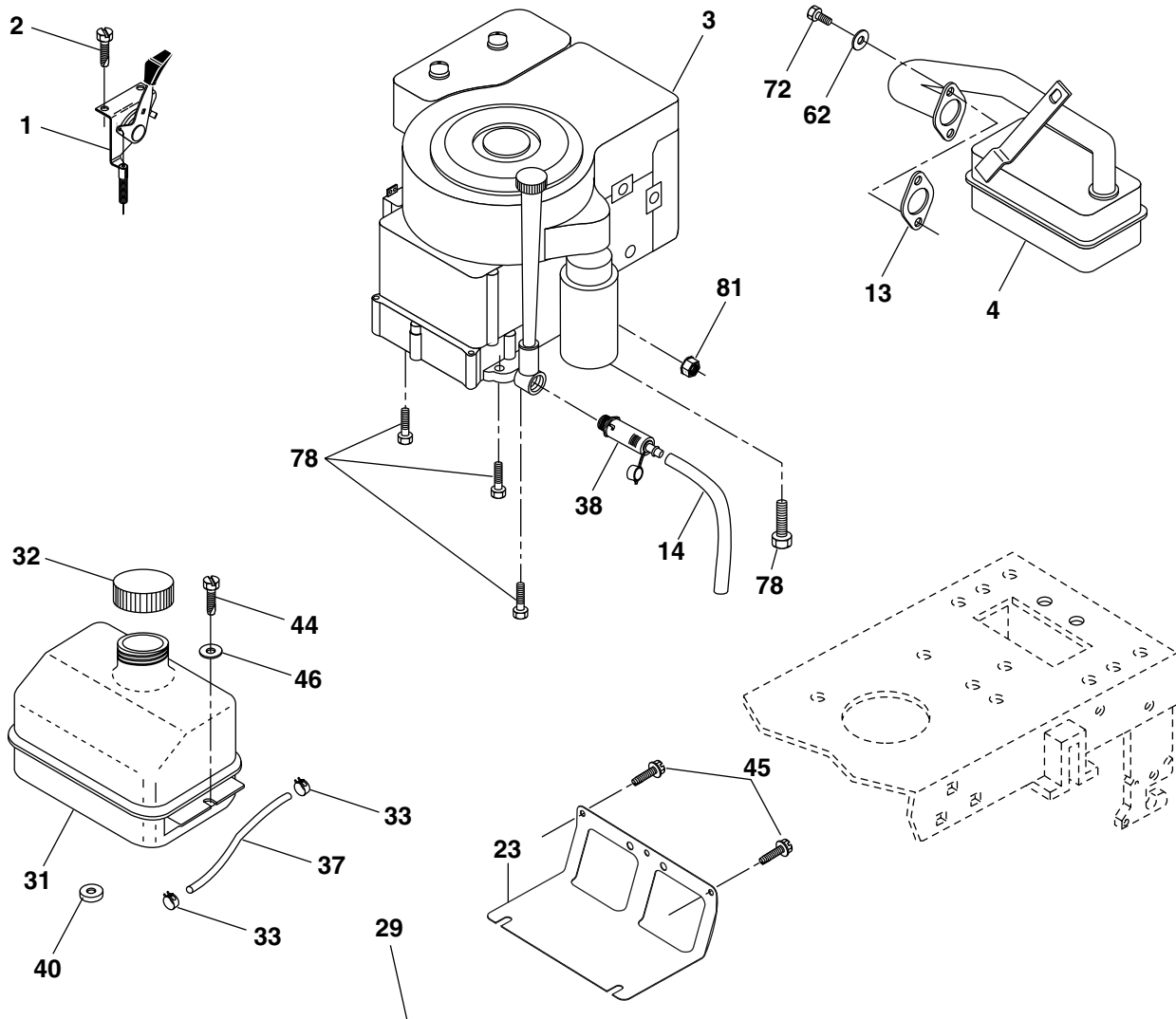
TRACTOR -- MODEL NUMBER PB1638LT (96012004401). PRODUCT NO. 960 12 00-44  
STEERING

KEY NO.	PART NO.	DESCRIPTION
1	186780	Wheel Steering
2	175131	Axle Asm
3	169840	Spindle Asm LH
4	169839	Spindle Asm RH
5	6266H	Bearing Race Thrust Harden
6	121748X	Washer 25/32 x 1-5/8 x 16 Ga.
7	19272016	Washer 27/32 x 1-1/4 x 16 Ga.
8	12000029	Ring Klip #t5304-75
9	3366R	Bearing Col Strg Blk
10	175121	Link Drag
11	10040600	Washer Lock Hvy Hlcl Spr 3/8
13	136518	Spacer earing Axle Front
15	145212	Hexflange Lock
17	190753	Shaft Asm Strg
26	126847X	Bushing Link Drag Blk LR
28	19131416	Washer 13/32 x 7/8 x 16 Ga.
29	17000612	Screw 3/8-16 x 3/4
30	76020412	Pin Cotter 1/8 x 3/4 Cad
32	192757	Rod Tie Wire Form 19 75 Mech
34	10040500	Washer Lock Hvy Hlcl Spr 5/16
36	155099	Bushing Strg 5/8 Id Dash
37	152927	Screw
38	192916	Cap Wheel Steer Ayp
39	19113812	Washer 11/32 ID x 2-3/8 OD x 12 Ga.
40	73540600	Nut Crownlock 3/8-24
41	186737	Adaptor Wheel Strg
42	145054X428	Boot Dash Mtl Steering Blk
43	121749X	Washer 25/32 x 1 1/4 x 16 Ga.
44	190752	Extension Steering
46	121232X	Cap Spindle Fr Top Blk
47	183226	Fitting Grease
65	160367	Spacer Brace Axle
67	72110618	Bolt RDHD SQNK 3/8-16 x 2-1/4
68	169827	Brace Axle
71	175146	Steering Asm.
82	199978	Bracket Susp Chassis Front
88	175118	Bolt Shoulder 7/16-20
91	175553	Clip Steering
95	188967	Washer Harden .793 x 1.637 x 060
97	74780564	Bolt 5/16-18 unc x 4"L Hlcl Spr. 5/16

**NOTE:** All component dimensions given in U.S. inches  
1 inch = 25.4 mm.

# REPAIR PARTS

TRACTOR - - MODEL NUMBER PB1638LT (96012004401). PRODUCT NO. 960 12 00-44  
ENGINE



**OPTIONAL EQUIPMENT**  
**Spark Arrester**

engine-bs.1cyl\_49

KEY NO.	PART NO.	DESCRIPTION
1	170551	Control Th/ch Flag
2	17720408	Screw Hex Thd Cut 1/4-20 x 1/2
3	-----	Engine, B&S 283H07 (Order parts from engine manufacturer)
4	137352	Muffler Exhaust B&S
13	165291	Gasket Eng 1 313 Id Tin Plated
14	148456	Tube Drain Oil Easy
23	169837	Shield BRN/DBR Guard
29	137180	Kit Spark Arrester (Flat Scrn)
31	187750	Tank Fuel Front
32	140527	Cap Asm Fuel
33	123487X	Clamp Hose
37	401137	Line Fuel 20"
38	181654	Plug Drain Oil
40	124028X	Bushing Snap Nyl Blk Fuel Line
44	17670412	Screw Thdrol 1/4-20 x 3/4

KEY NO.	PART NO.	DESCRIPTION
45	17000612	Screw Hex Wsh Thdrol 3/8-16
46	19091416	Washer 9/32 x 7/8 x 16 Ga.
62	10010500	Washer Split
72	192334	Screw Socket Hd 5/16-18 x .75
78	17060620	Screw 3/8-16 x 1-1/4
81	73510400	Nut Keps Hex 1/4-20 unc

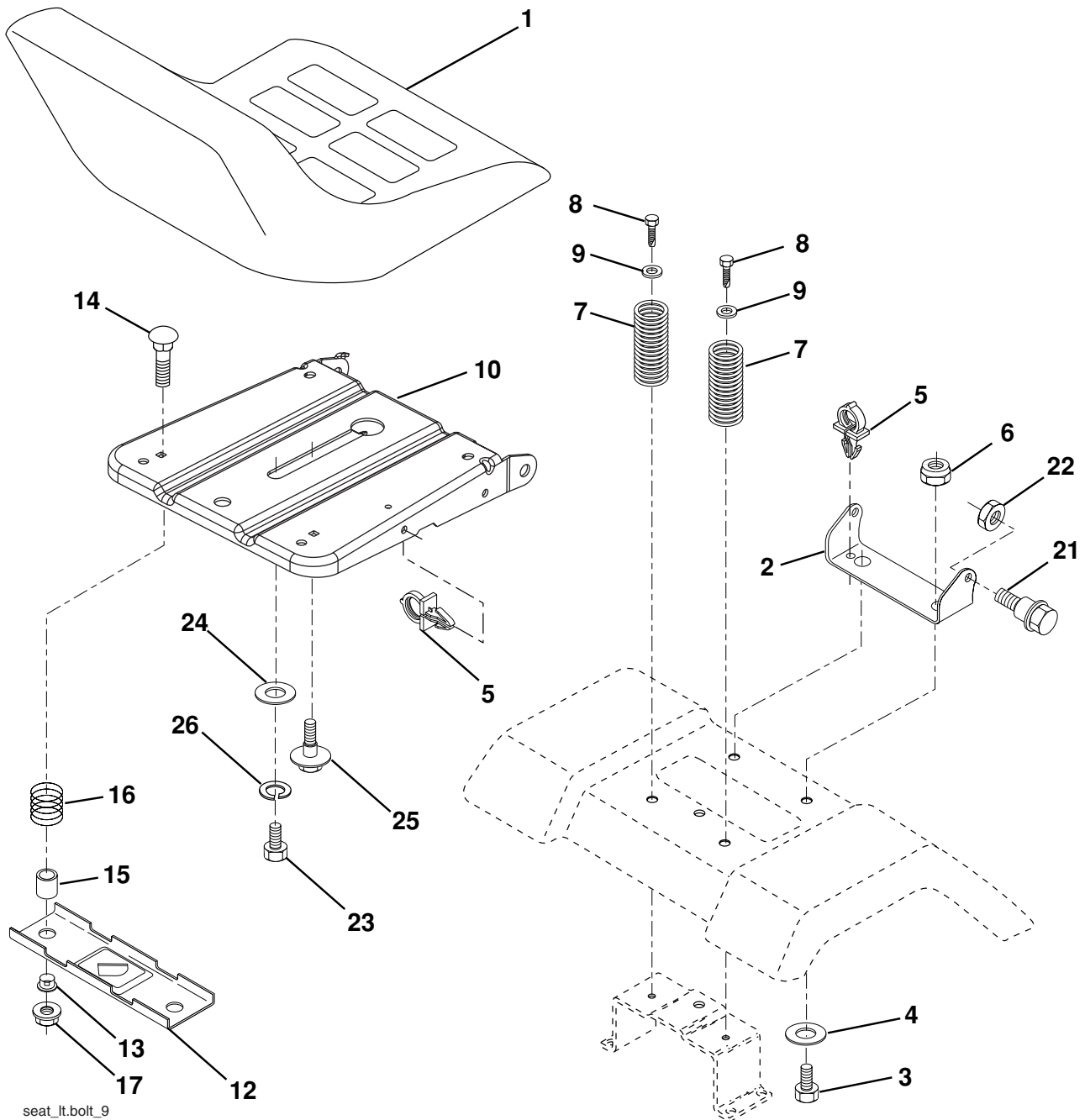
**NOTE:** All component dimensions given in U.S. inches  
1 inch = 25.4 mm

For engine service and replacement parts, call the toll free number for your engine manufacturer listed below:

Briggs & Stratton	1-800-233-3723
Kohler Co.	1-800-544-2444
Tecumseh Products	1-800-558-5402
Honda Engines	1-800-426-7701
Kawasaki	1-949-460-5688

# REPAIR PARTS

TRACTOR -- MODEL NUMBER PB1638LT (96012004401). PRODUCT NO. 960 12 00-44 SEAT



seat\_lt.bolt\_9

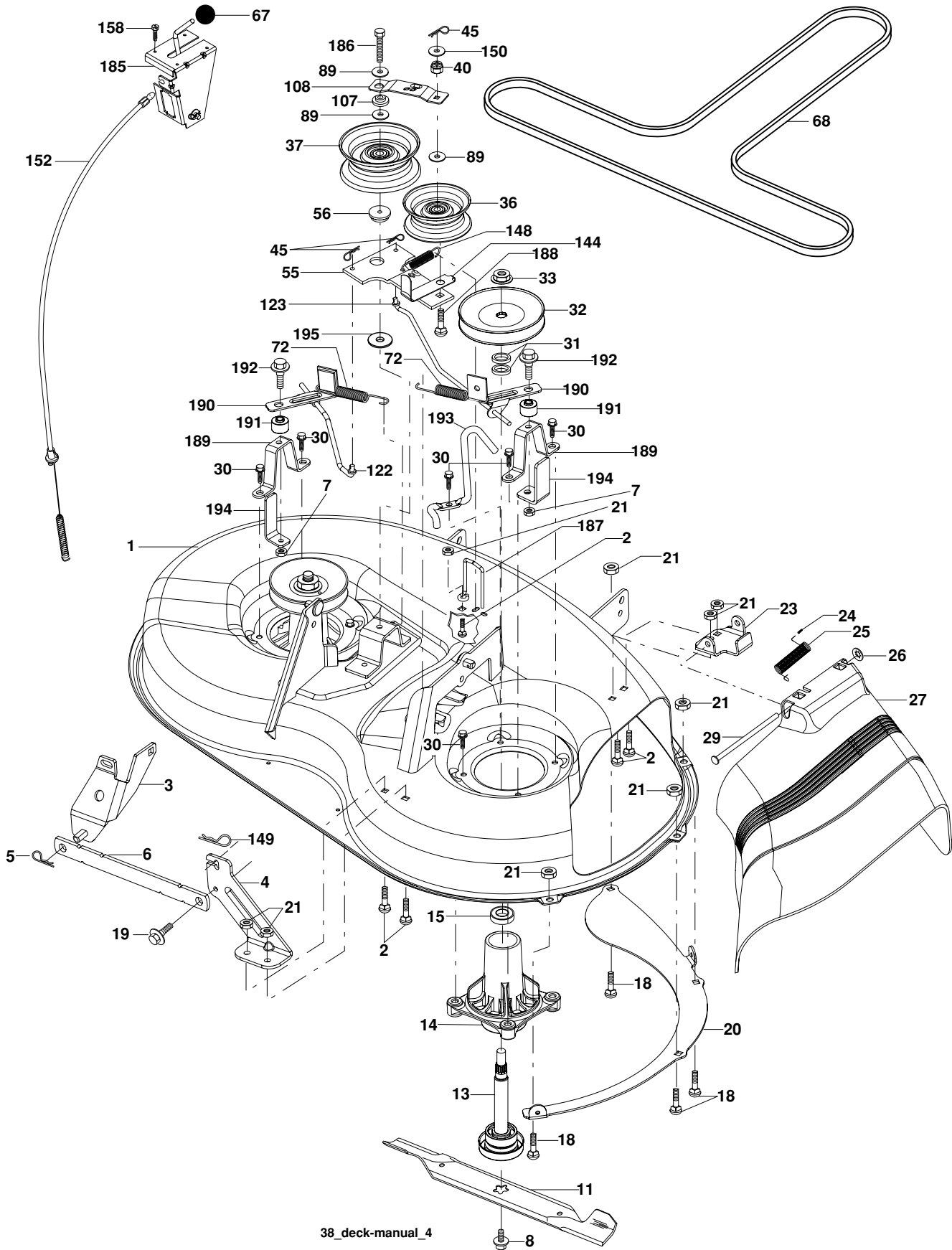
KEY NO.	PART NO.	DESCRIPTION
1	401042	Seat
2	140551	Bracket Seat Pivot
3	71110616	Bolt Hex 3/8 - 16 x 1
4	19131610	Washer 13/32 x 1 x 10 Ga.
5	145006	Clip Push-In Hinged
6	73800600	Nut Lock Hex w/Ins 3/8 - 16
7	124181X	Spring Seat Cprsn 2 250 Blk Zi
8	17000616	Screw 3/8-16 x 1.5
9	19131614	Washer 13/32 x 1 x 14 Ga.
10	195530	Pan Asm. Seat
12	174648	Bracket Pnt Mounting Switch
13	121248X	Bushing Snap Blk Nyl

KEY NO.	PART NO.	DESCRIPTION
14	72050412	Bolt Rdhd Sht Nk 1/4 - 20 x 1 - 1/2
15	134300	Spacer Split .28 x .96
16	121250X	Spring Cprsn
17	123976X	Nut Lock 1/4 Lge Flg
21	171852	Bolt Shoulder 5/16-18 unc-2A
22	73800500	Nut Lock Hex w/Ins 5/16 - 18
23	71110814	Bolt Hex
24	19171912	Washer 17/32 x 1-3/16 x 12 Ga.
25	127018X	Bolt Shoulder 5/16-18 x .62
26	10040800	Washer Lock Hvy Hlcl Spr 1/2

**NOTE:** All component dimensions given in U.S. inches  
1 inch = 25.4 mm.

# REPAIR PARTS

TRACTOR - - MODEL NUMBER PB1638LT (96012004401). PRODUCT NO. 960 12 00-44  
MOWER DECK



# REPAIR PARTS

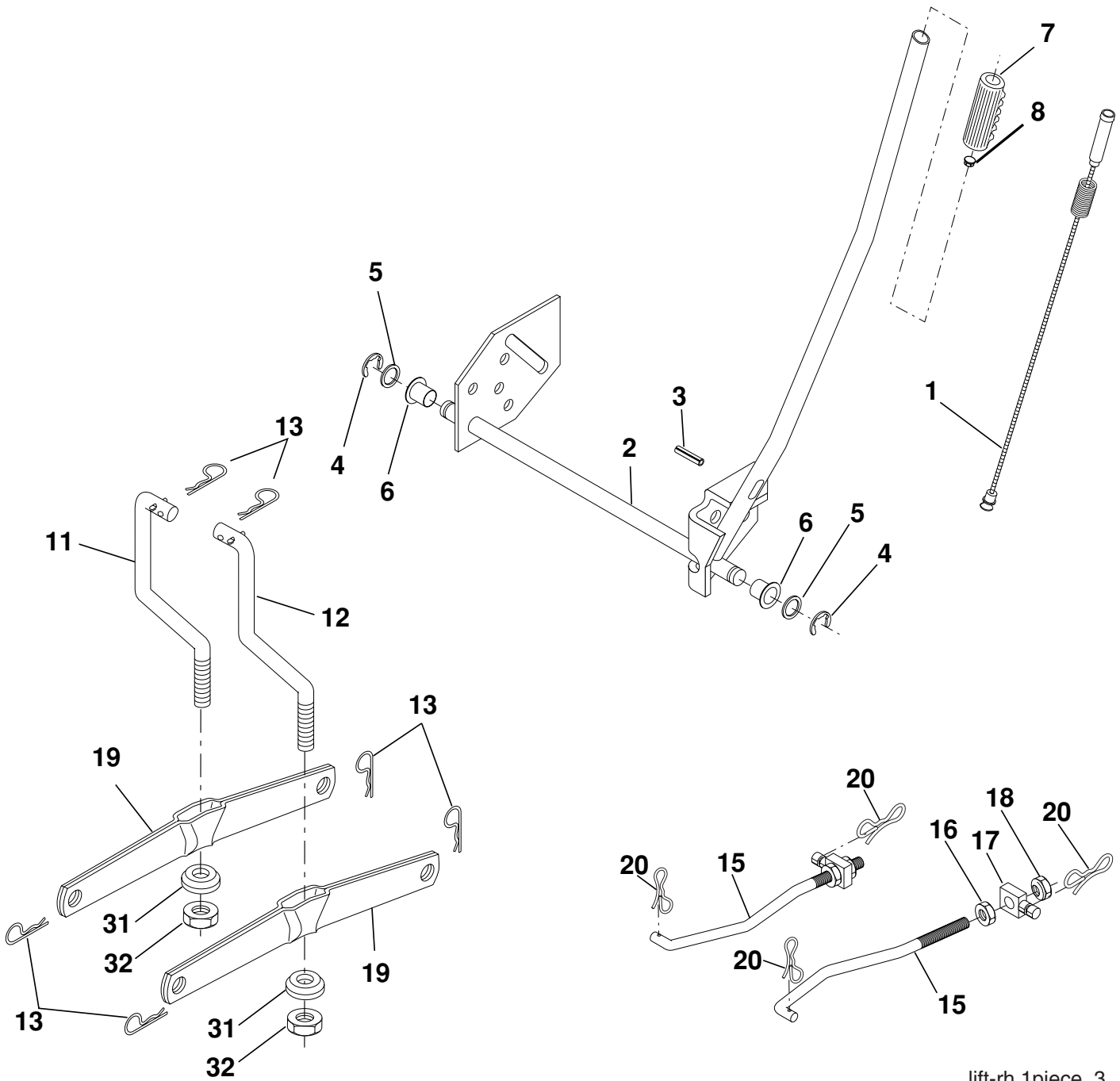
TRACTOR - - MODEL NUMBER PB1638LT (96012004401). PRODUCT NO. 960 12 00-44  
MOWER DECK

KEY NO.	PART NO.	DESCRIPTION	KEY NO.	PART NO.	DESCRIPTION
1	192556	Mower Housing Assembly	68	193214	V-Belt
2	72140506	Bolt Carriage 5/16-18 x 3/4	72	193216	Spring Brake Return
3	138017	Bracket Asm Fr. Sway Bar	89	19131311	Washer 13/32 x 13/16 x 11 Ga.
4	192568	Bracket Deck Sway Bar 38"/42"	107	133502	Spacer Retainer
5	4939M	Retainer Spring	108	133503	Stiffener, Idler Arm
6	178024	Bar Sway Deck	122	192575	Rod, Brake LH
7	73800500	Nut Lock Hex w/Insert 5/16-18 unc	123	192576	Rod, Brake RH
8	193003	Bolt 3/8-24 x 1.25 Gr. 8	144	193414	Keeper Belt Idler Tension
11	193957	Blade Mower	148	169022	Spring Return Idler
13	192872	Shaft Assembly, Mandrel, Vented (Includes Key Number 6)	149	165898	Retainer Spring Yellow
14	187281	Housing, Mandrel, Vented	150	19091210	Washer 9/32 x 3/4 x 10 Ga.
15	110485X	Bearing, Ball, Mandrel	152	193235	Clutch Cable 38"
18	72140505	Blade Rdhd Sqnk 5/16-18 x 5/8	158	17720408	Screw Hex Thd Cut 1/4-20 x 1/2
19	132827	Bolt, Shoulder	185	188234	Head Asm Cable Clutch
20	400095	Baffle Vortex Front	186	17490644	Screw Hex Wsh Thdrol 3/8-16 x 2-3/4
21	73680500	Nut	187	193412	Keeper Belt M Shape
23	192557	Bracket, Mower Deflector	188	165891	Bolt Carriage Idler
24	105304X	Cap, Sleeve	189	192559	Brake Stand
25	197026	Spring, Torsion, Deflector	190	192560	Brake Arm
26	110452X	Nut, Push	191	192561	Brake Spacer
27	192572X428	Shield, Deflector	192	<b>193782</b>	Bolt/Washer Asm. 5/16-18
29	131491	Rod, Hinge	193	193413	Keeper Belt Rh Mandrel
30	173984	Screw Thdrol.	194	194105	Brake Guard
31	187690	Washer, Spacer	195	19133210	Washer 13/32 x 2 x 10 Ga.
32	153532	Pulley, Mandrel	--	192870	Mandrel Assembly (Includes Housing, Shaft and Shaft Hardware Only - Pulley Not Included)
33	400234	Nut, Toplock	--	193646	Replacement Mower, Complete
36	131494	Pulley, Idler, Flat			
37	193198	Pulley, Idler Flat			
40	73680600	Nut, Crownlock 3/8-16 unc			
45	4497H	Retainer			
55	133840	Idler Arm Assembly			
56	165723	Spacer, Retainer			
67	106932X	Knob			

**NOTE:** All component dimensions given in U.S. inches  
1 inch = 25.4 mm

# REPAIR PARTS

TRACTOR - - MODEL NUMBER PB1638LT (96012004401). PRODUCT NO. 960 12 00-44  
MOWER LIFT



lift-rh.1piece\_3

KEY NO.	PART NO.	DESCRIPTION
1	159460	Wire Asm Inner/Sprg w/plunger
2	159471	Shaft Asm Lift RH
3	105767X	Pin Groove 1 500 Zinc
4	12000002	E Ring #5133-62
5	19211621	Washer 21/32 x 1 x 21 Ga.
6	120183X	Bearing Nylon Blk 629 Id
7	109413X	Grip Handle Bicycle Matte Blk
8	124526X	Button Plunger Black
11	139865	Link Lift LH Fixed Length
12	139866	Link Lift RH Fixed Length
13	4939M	Retainer Spring

KEY NO.	PART NO.	DESCRIPTION
15	173288	Link Front
16	73350800	Nut Jam Hex 1/2-13 unc
17	175689	Trunnion
18	73800800	Nut Lockw/Wsh 1/2-13 unc
19	139868	Arm Suspension Rear
20	194209	Pin Cotter 7/16 Bow Tie Lock
31	169865	Bearing Pvt Lift
32	73540600	Nut Crownlock 3/8-24

**NOTE:** All component dimensions given in U.S. inches  
1 inch = 25.4 mm.