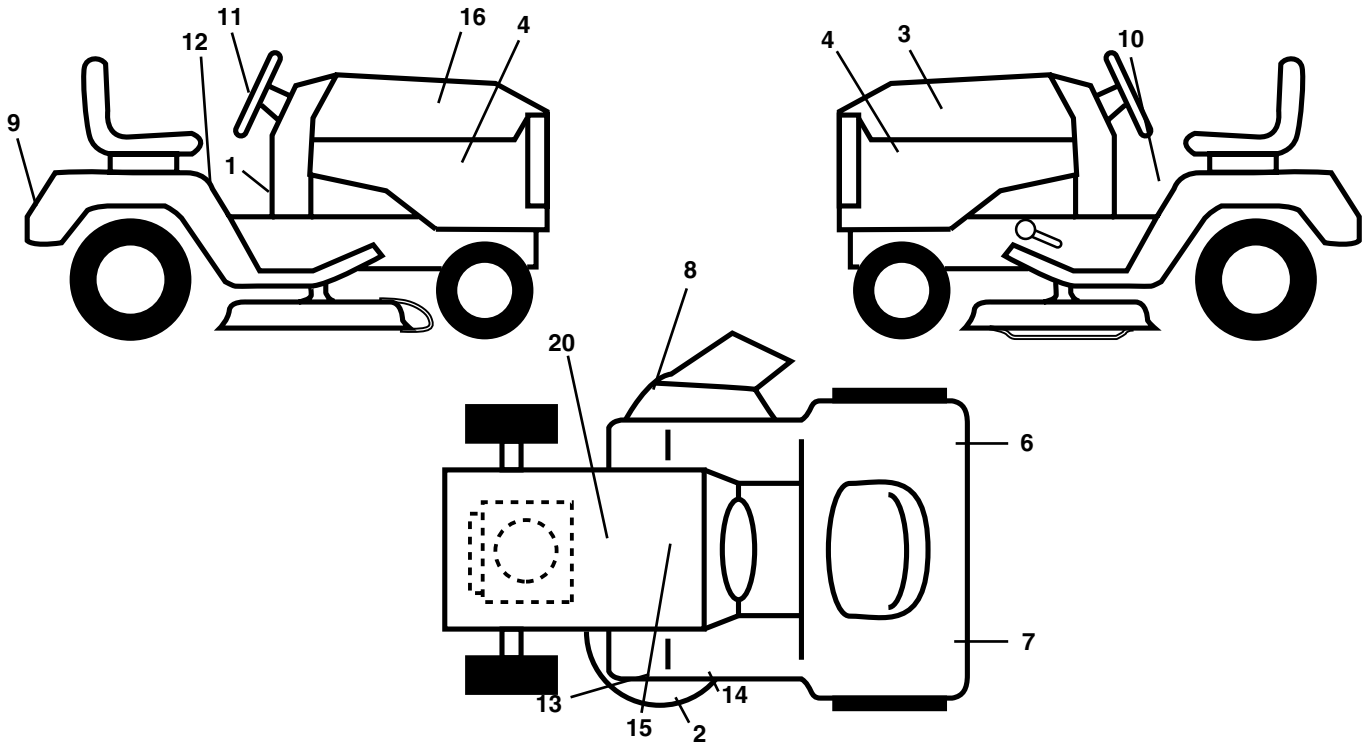


REPAIR PARTS

TRACTOR - MODEL NUMBER PK23H48YT (96012002000)

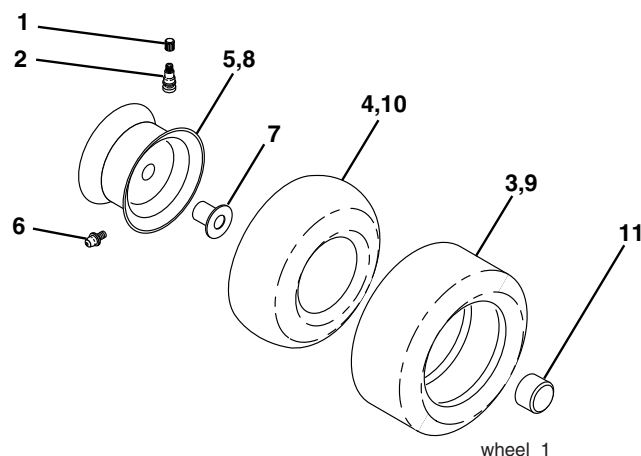
DECALS



KEY NO.	PART NO.	DESCRIPTION
1	191076	Decal Dash
2	178482	Decal Heavy Duty
3	176273	Decal Hood LH
4	194615	Decal Side Panel
6	173587	Decal Reflector Rh
7	173589	Decal Reflector Lh
8	170563	Decal Warning Mower
9	172740	Decal Fender Logo
10	157140	Decal Fender Danger E/F
11	172743	Decal Ins Strg Whl
12	193939	Decal Fender Oper

KEY NO.	PART NO.	DESCRIPTION
13	178502	Decal Deck Caution
14	175291	Decal V-Belt Schematic
15	194611	Decal Replacement
16	176272	Decal Hood Rh
20	145005	Decal Bat Dan/Psn
--	166960	Decal By Pass
--	184310X428	Pad Footrest Lh
--	184311X428	Pad Footrest Rh
--	194818	Manual, Operator's E&F
--	194819	Manual, Parts E&F

WHEELS & TIRES



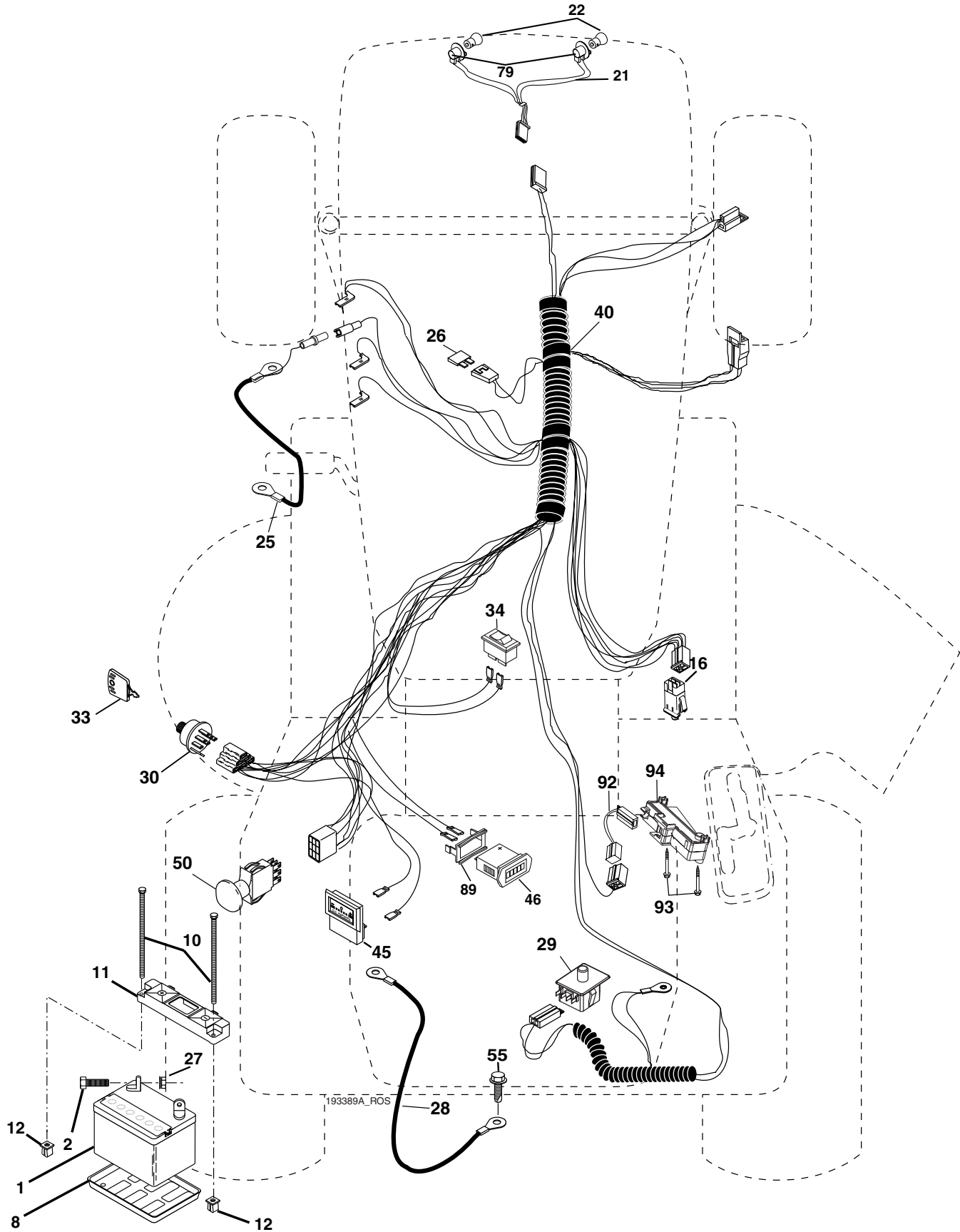
KEY NO.	PART NO.	DESCRIPTION
1	59192	Cap Valve Tire
2	65139	Stem Valve
3	106222X	Tire F T 15 x 6 0 - 6 Service
4	59904	Tube Front (Service Item Only)
5	106732X421	Rim Asm 6"front Service
6	278H	Fitting Grease (Front Wheel Only)
7	9040H	Bearing Flange (Front Wheel Only)
8	106108X421	Rim Asm 8"rear Service
9	138468	Tire R T 20 x 8-8 C Service
10	7152J	Tube Rear (Service Item Only)
11	104757X421	Cap Axle 1 50 x 1 00
--	144334	Sealant, Tire (10 oz. Tube)

NOTE: All component dimensions given in U.S. inches
1 inch = 25.4 mm

REPAIR PARTS

TRACTOR - MODEL NUMBER PK23H48YT (96012002000)

ELECTRICAL



REPAIR PARTS

TRACTOR - MODEL NUMBER PK23H48YT (96012002000)

ELECTRICAL

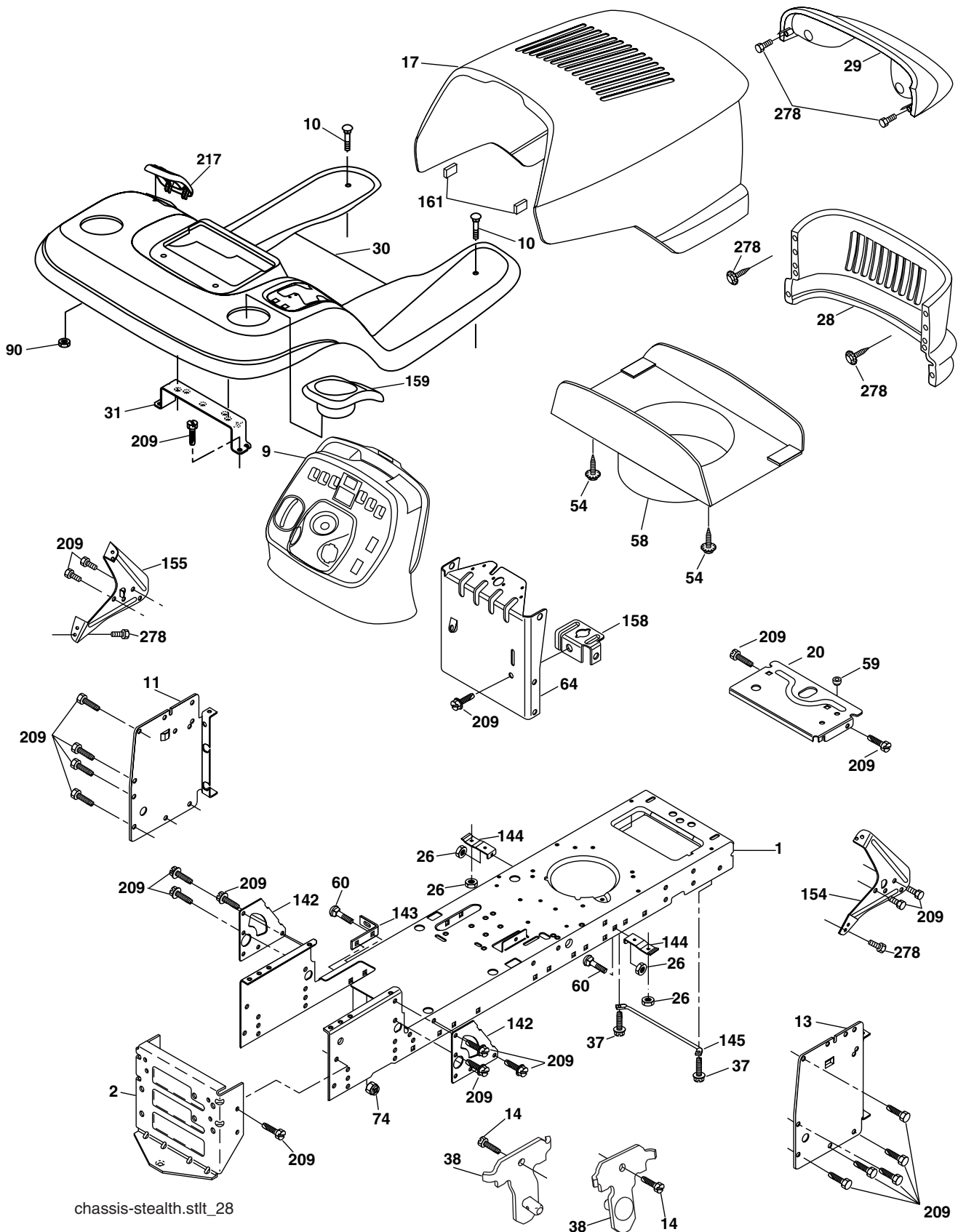
KEY NO.	PART NO.	DESCRIPTION
1	144927	Battery
2	74760412	Bolt Hex Hd 1/4-20 unc x 3/4
8	7603J	Tray, Battery
10	145211	Bolt, BTR FRT 1/4-20 x 7.5
11	150109	Hold Down Battery, Front
12	145769	Nut, Push, Nylon
16	176138	Switch Interlock Push-In
21	175688	Harness Asm Light W/Bulbs
22	4152J	Bulb Light
25	186846	Cable Battery
26	175158	Fuse
27	73510400	Nut Keps Hex 1/4-20 unc
28	145491	Cable Ground
29	192749	Switch Seat
30	193350	Switch Ign
33	140401	Key Ign
34	110712X	Switch Light/Reset
40	193389	Harness Ign.
42	154336	Cover Terminal
45	122822X	Ammeter Rectangular
46	169635	Hourmeter Snap-In
50	174653	Switch, PTO
55	17490508	Screw Thdrol 5/16-18 x 1/2
79	175242	Bulbholder
89	169639	Bracket Snap-In Hourmeter
92	193465	Harness Pigtail Reverse Switch
93	192540	Screw Plastite 10-1/4 x 2.0
94	191834	Module Reverse Switch

NOTE: All component dimensions given in U.S. inches.
1 inch = 25.4 mm.

REPAIR PARTS

TRACTOR - MODEL NUMBER PK23H48YT (96012002000)

CHASSIS AND ENCLOSURES



chassis-stealth.stlt_28

REPAIR PARTS

TRACTOR - MODEL NUMBER PK23H48YT (96012002000)

CHASSIS AND ENCLOSURES

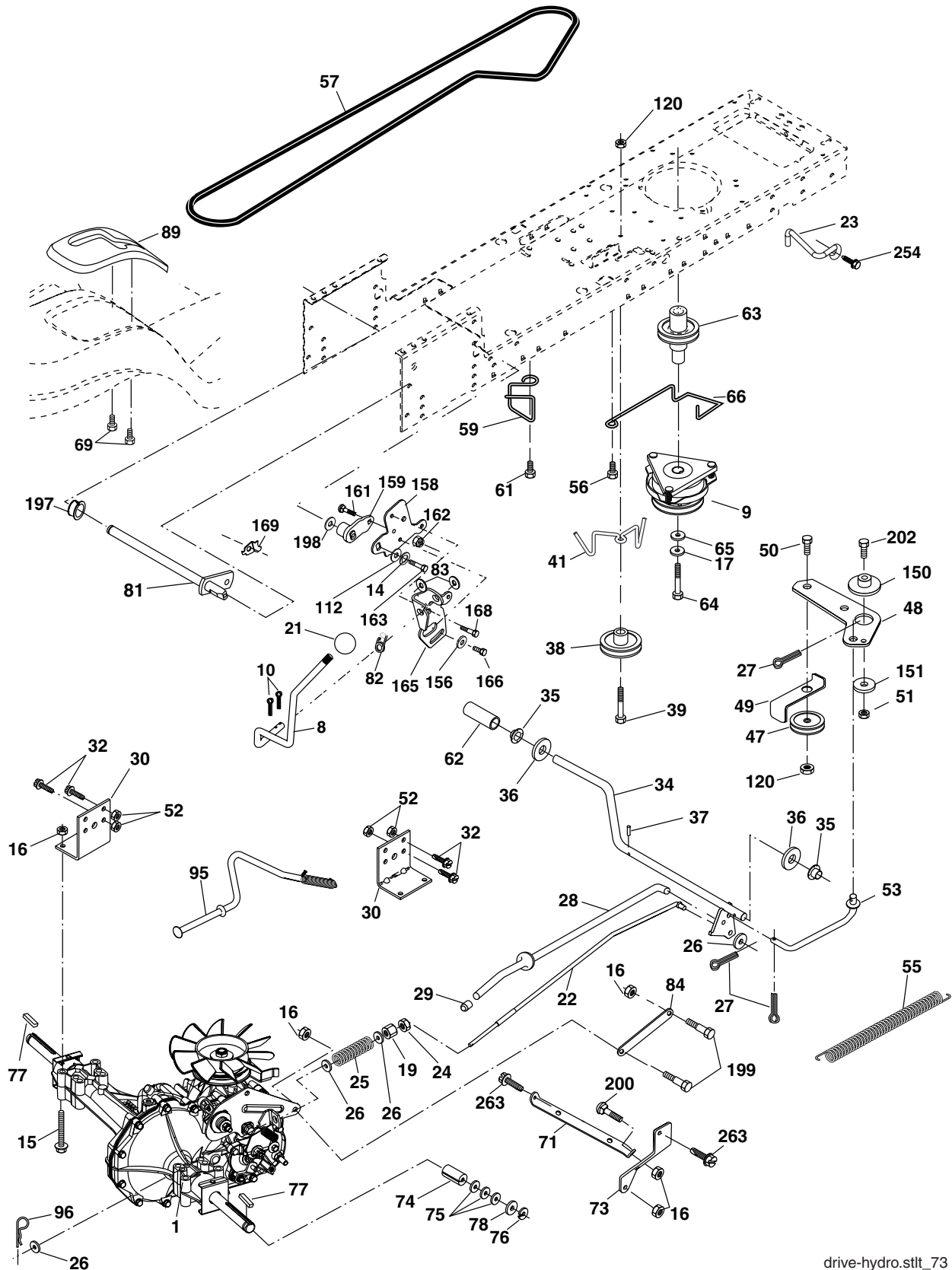
KEY NO.	PART NO.	DESCRIPTION
1	174619	Chassis
2	176554	Drawbar
3	17060612	Screw 3/8-16 x 3/4
9	193636X428	Dash
10	72140608	Bolt 3/8-16 x 1
11	167203	Panel Dash Lh
13	178298	Panel Dash Rh
14	17490608	Screw Thdrol 3/8-16 x 1/2
17	175260X428	Hood
20	162026	Plate Battery
26	73800600	Nut Lock Hex W/Ins 3/8-16 unc
28	175289X428	Grille
29	179761	Light Asm. Bar
30	192395X428	Fender
31	139976	Bracket Fender
37	17490508	Screw Thdrol 6/16-18 x 1/2 TYT
38	175710	Bracket, Asm. Pivot Mower Rear
54	192512	Screw Wshd Hex 10-32 x 5/8
58	175351	Duct Hood
59	187495	Bushing Snap
60	72140606	Bolt RdHd Sqnk 3/8-16 unc x 3/4
64	174997	Dash Lower
74	73680600	Nut Crownlock 3/8-16 unc
90	124346X	Nut Self-Thd Wsh-Hd 1/4 Zinc
142	175702	Plate Reinforcement STLT
143	186689	Bracket Swaybar Chassis
144	175582	Bracket Footrest
145	156524	Rod Pivot Chassis/Hood
154	161897	Bracket Dash Rh
155	161900	Bracket Dash Lh
158	162037	Bracket Parking Brake
159	191120X428	Cupholder
161	164655	Extrusion Bumper
209	17000612	Screw Hexwsh Thdrol 3/8-16 x 3/4
213	169848X428	Skirt Grille LH
214	169847X428	Skirt Grille RH
217	179132X428	Console Fuel Window
278	191611	Screw 10 x 3/4 Single Lead Hex

NOTE: All component dimensions given in U.S. inches
1 inch = 25.4 mm

REPAIR PARTS

TRACTOR - MODEL NUMBER PK23H48YT (96012002000)

DRIVE



drive-hydro.stlt_73

REPAIR PARTS

TRACTOR - MODEL NUMBER PK23H48YT (96012002000)

DRIVE

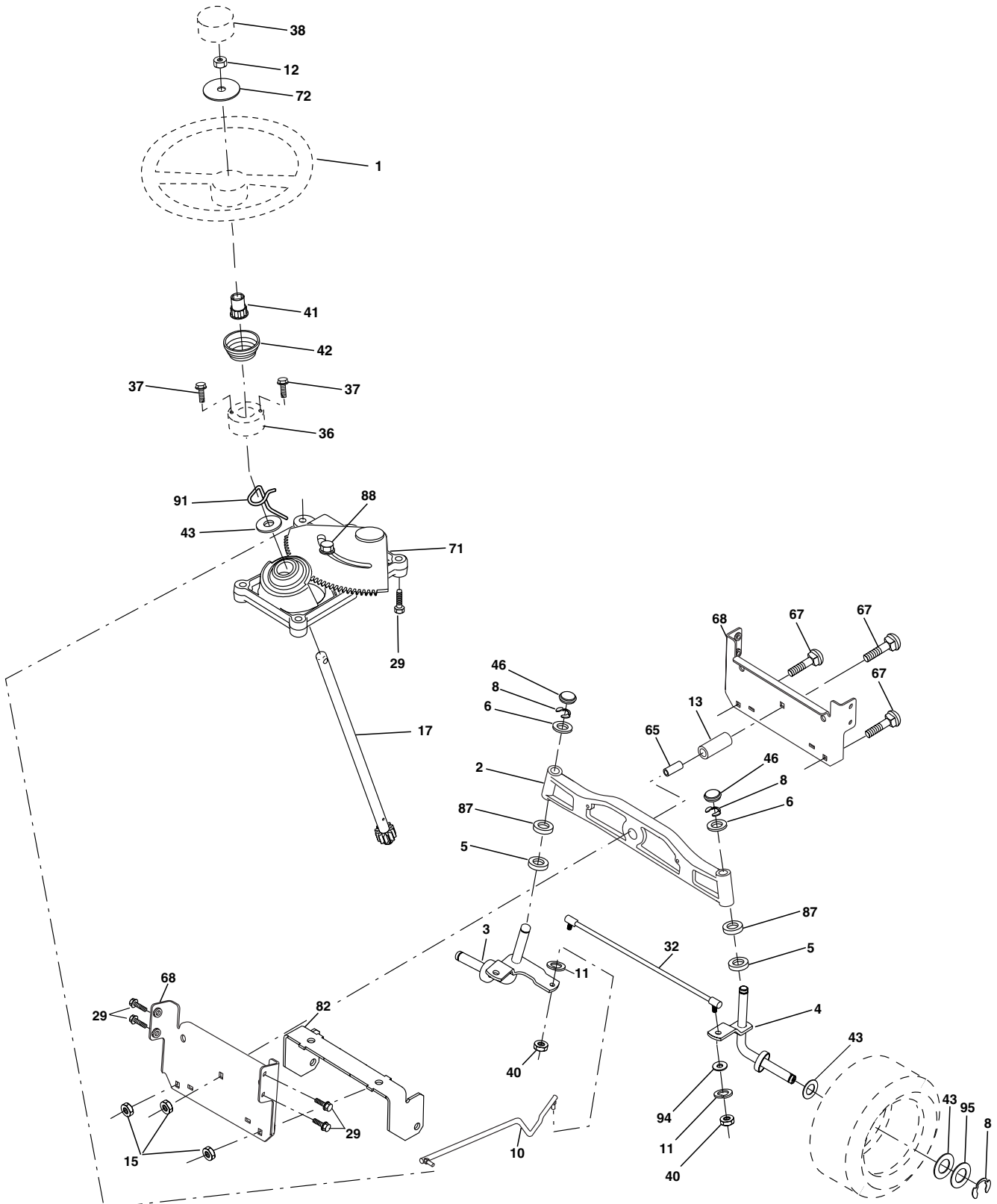
KEY NO.	PART NO.	DESCRIPTION	KEY NO.	PART NO.	DESCRIPTION
1	-----	Transaxle (See Breakdown)	64	173937	Bolt, Hex
		Hydro Gear Model 314-0510	65	10040700	Washer Lock Hvy Hlcl Spr. 7/16
8	192502	Rod Shift	66	154778	Keeper Belt Engine
9	179334	Clutch Electric	69	142432	Screw
10	76020416	Pin Cotter 1/8 x 1 CAD	71	169183	Strap Torque Lh Hydro
14	10040400	Washer Lock Hvy. Helical	73	169182	Strap Torque Rh Hydro
15	74490544	Bolt, Hex FLGHD 5/16-18 Gr. 5	74	137057	Spacer, Split
16	73800500	Nut Lock Hex W/Ins 5/16-18 unc P	75	121749X	Washer 25/32 x 1-1/4 x 16 Ga.
17	126197X	Washer 1-1/2 OD x 15/32 ID x 2.50	76	12000001	E-Ring
19	73800600	Nut Lock Hex W/Wsh 3/8-16 unc	77	123583X	Key, Square
21	106279X	knob 1/2-13	78	121748X	Washer 25/32 x 1-5/8 x 16 Ga.
22	169498	Rod, Brake Hydro	81	165596	Shaft Asm. Cross
23	190736	Bracket Anti-Rotation	82	165711	Spring Torsion
24	73350600	Nut Hex Jam 3/8-16	83	19171216	Washer 17/32 x 3/4 x 16 Ga.
25	106888X	Spring, Brake Rod	84	169594	Link, Transaxle
26	19131316	Washer	89	192387X428	Console, Shift
27	76020412	Pin Cotter 1/8 x 3/4 CAD.	95	170201	Control Asm Bypass Hydro
28	175765	Rod, Parking Brake	96	4497H	Retainer Spring 1" Zinc/Cad
29	71673	Cap, Parking Brake	112	19091210	Washer 9/32 x 3/4 x 10 Ga.
30	169592	Bracket, Transaxle	120	73900600	Nut Lock Fig 3/8-16 unc
32	74760512	Bolt Hex Hd 5/16-18 unc x 3/4	151	19133210	Washer 13/32 x 2 x 10 Ga.
34	175578	Shaft, Foot Pedal Nibbed	150	175456	Spacer Retainer
35	120183X	Bearing, Nylon	156	166002	Washer Srrted 5/16 ID x 1 x .125
36	19211616	Washer 21/32 x 1 x 16 Ga.	158	165589	Bracket Shift Mount
37	1572H	Pin, Roll 3/16 x 1	159	183900	Hub Shift
38	179114	Pulley, Idler, Composite	161	72140406	Bolt Rdhd Sqnk 1/4-20 x 3/4 Gr. 5
39	72110622	Bolt 3/8-16unc x 2-3/4	162	73680400	Nut Crownlock 1/4-20 unc
41	175556	Keeper, Belt Retainer	163	74780416	Bolt Hex Fin 1/4-20 unc x 1 Gr. 5
47	127783	Pulley, Idler, V-Groove	165	165623	Bracket Pivot Lever
48	154407	Bellcrank Clutch Grnd Drv STL	166	17490510	Screw 5/16-18 x 5/8
49	123205X	Retainer, Belt	168	165492	Bolt Shoulder 5/16-18 x .561
50	72110612	Bolt Carr Sh 3/8-16 x 1-1/2 Gr.5	169	165580	Plate Fastening LT
51	73680600	Nut Crownlock 3/8-16 unc	197	169613	Nyliner Snap-In 5/8" ID
52	73680500	Nut Crownlock 5/16-18 unc	198	169593	Washer Nyl 7/8" ID x .105"
53	105710X	Link, Clutch	199	169612	Bolt Shoulder 5/16-18 unc
55	105709X	Spring, Return, Clutch	200	72140508	Bolt Rdhd Sqnk 5/16-18 unc x 1
56	17060620	Screw 3/8-16 x 1.0	202	72110614	Bolt 3/8-16 x 1-3/4 Gr. 5
57	140294	V-Belt, Ground Drive	254	17000616	Screw 3/8-16 x 1
59	169691	Keeper, Center Span	263	17000612	Screw 3/8-16 x .75
61	17120614	Screw 3/8-16 x 3/4			
62	123533X	Cover, Pedal			
63	174607	Pulley, Engine			

NOTE: All component dimensions give in U.S. inches.
1 inch = 25.4 mm

REPAIR PARTS

TRACTOR - MODEL NUMBER PK23H48YT (96012002000)

STEERING ASSEMBLY



steering_stealth_prem_6

REPAIR PARTS

TRACTOR - MODEL NUMBER PK23H48YT (96012002000)

STEERING ASSEMBLY

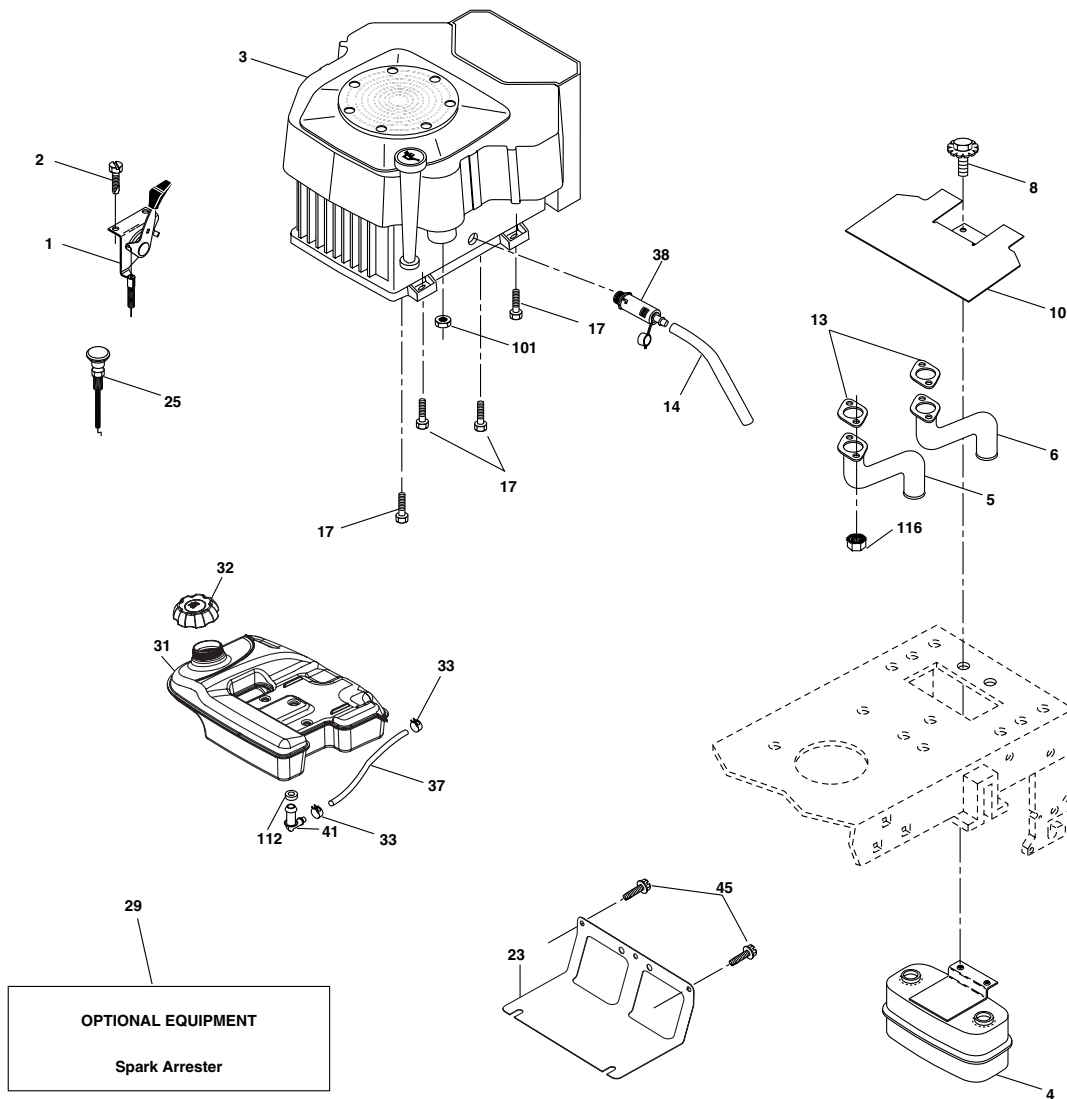
KEY NO.	PART NO.	DESCRIPTION
1	186094X428	Wheel Steering
2	184706	Axle
3	169840	Spindle Asm LH
4	169839	Spindle Asm RH
5	6266H	Bearing Race Thrust Harden
6	121748X	Washer 25/32 x 1-5/8 x 16 Ga.
8	12000029	Ring Klip #t5304-75
10	175121	Link Drag
11	10040600	Washer Lock Hvy Hlcl Spr 3/8
12	73940800	Nut Hex Jam Toplock 1/2-20 unf
13	136518	Spacer Brg Axle Front
15	145212	Nut Hex Flange Lock
17	177883	Shaft Asm Strg
29	17000612	Screw 3/8-16 x 3/4
32	180580	Rod Tie
36	155105	Bushing Strg
37	152927	Screw TT #32.5 x 5 x 3/8 Flange
38	186095X428	Cap Wheel Steer
40	73540600	Nut Crownlock 3/8-24
41	186737	Adaptor Wheel Strg
42	163888X428	Boot Steering
43	121749X	Washer 25/32 x 1 1/4 x 16 Ga.
46	121232X	Cap Spindle Fr Top Blk
65	160367	Spacer Brace Axle
67	72110618	Bolt Rdhd Sqn 3/8-16 x 2-1/4
68	169827	Brace, Axle
71	175146	Steering Asm.
72	19183812	Washer 9/16 ID x 2-3/8 OD 12 Ga.
82	169835	Bracket Susp Chassis Front
87	173966	Washer Flat .781 x 1-1/2 x .14
88	175118	Bolt Shoulder 7/16-20 unc
91	175553	Clip
94	19121414	Rod Tie
95	188967	Washer Hardened

NOTE: All component dimensions given in U.S. inches.
1 inch = 25.4 mm.

REPAIR PARTS

TRACTOR - MODEL NUMBER PK23H48YT (96012002000)

ENGINE



engine-ko.twin_18

KEY NO.	PART NO.	DESCRIPTION
1	175439X428	Control Throttle
2	191611	Screw 10 x 3/4 Single Lead-Hex
3	-----	Engine, Kohler Model CV674 (Order parts from engine mfg.)
4	149723	Muffler Asm Twin Lo-Tone
5	146699	Pipe Exhaust LH
6	146700	Pipe Exhaust RH
8	171877	Bolt 5/16-18 unc x 3/4 w/Sems
10	146629	Shield
13	-----	Muffler Gasket (Order from Engine Mfgr.)
14	148456	Tube Drain Oil Easy
17	17060624	Screw Thdrol 3/8-16 x 1-1/2
23	169837	Shield Heat
25	187768X428	Choke Control
29	137180	Kit Spark Arrestor (Flat Scrn)
31	179022	Tank Fuel 4.0 Rear

KEY NO.	PART NO.	DESCRIPTION
32	179124X428	Cap Asm Fuel
33	123487X	Clamp Hose Black
37	8543R	Line Fuel
38	181654	Plug Drain Oil
41	139277	Stem Tank Fuel
45	17000612	Screw Hexwsh Thdr 3/8-16 x 3/4
101	M73030800	Nut Flange Toplock M8-1.25
112	3645J	Bushing
116	184362	Nut Hex Flange Toplock M8-1.25

NOTE: All component dimensions given in U.S. inches
1 inch = 25.4 mm

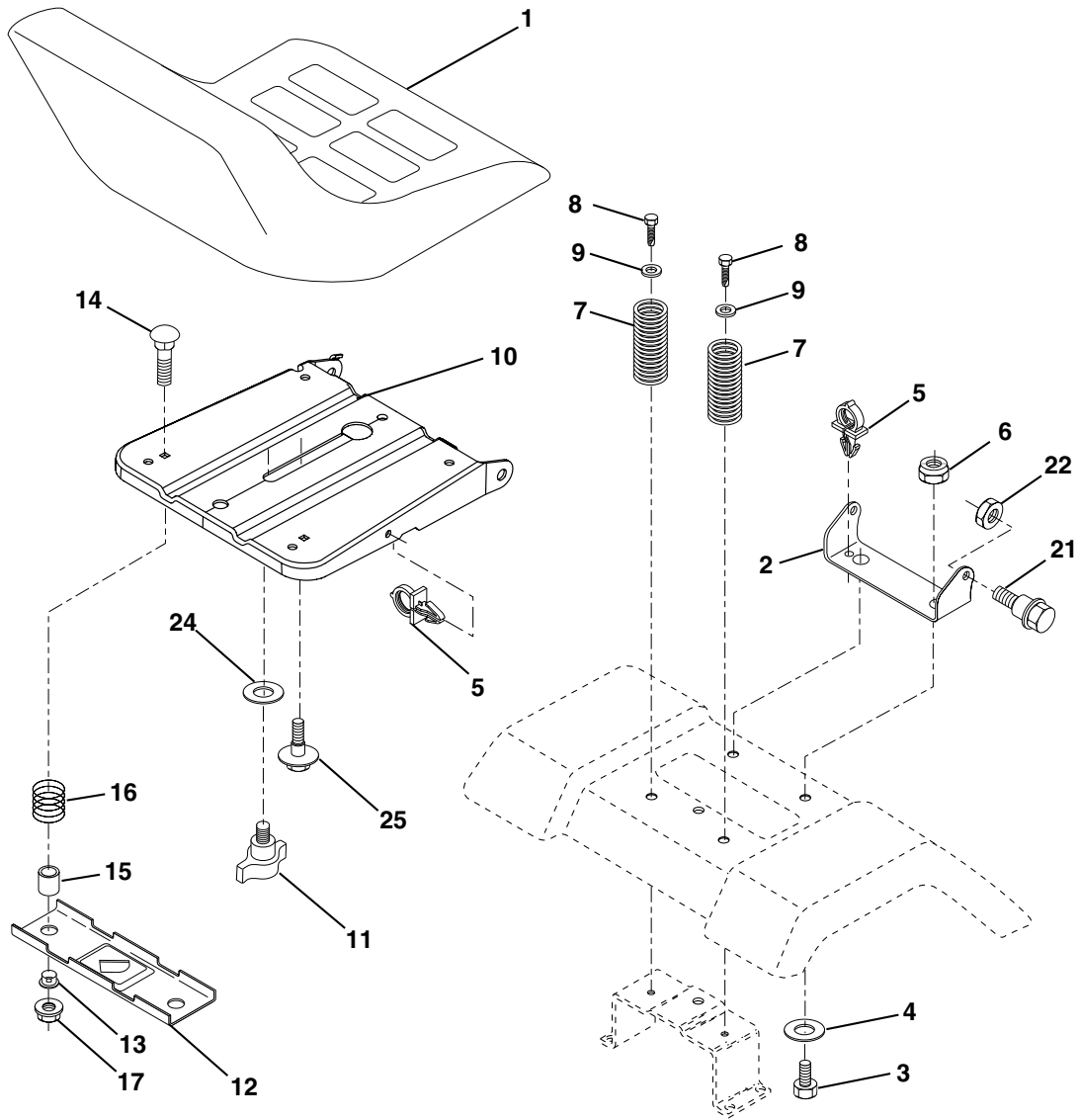
For engine service and replacement parts, call the toll free number for your engine manufacturer listed below:

Briggs & Stratton	1-800-233-3723
Kohler Co.	1-800-544-2444
Tecumseh Products	1-800-558-5402
Honda Engines	1-800-426-7701
Kawasaki	1-949-460-5688

REPAIR PARTS

TRACTOR - MODEL NUMBER PK23H48YT (96012002000)

SEAT ASSEMBLY



seat_lt.knob_13

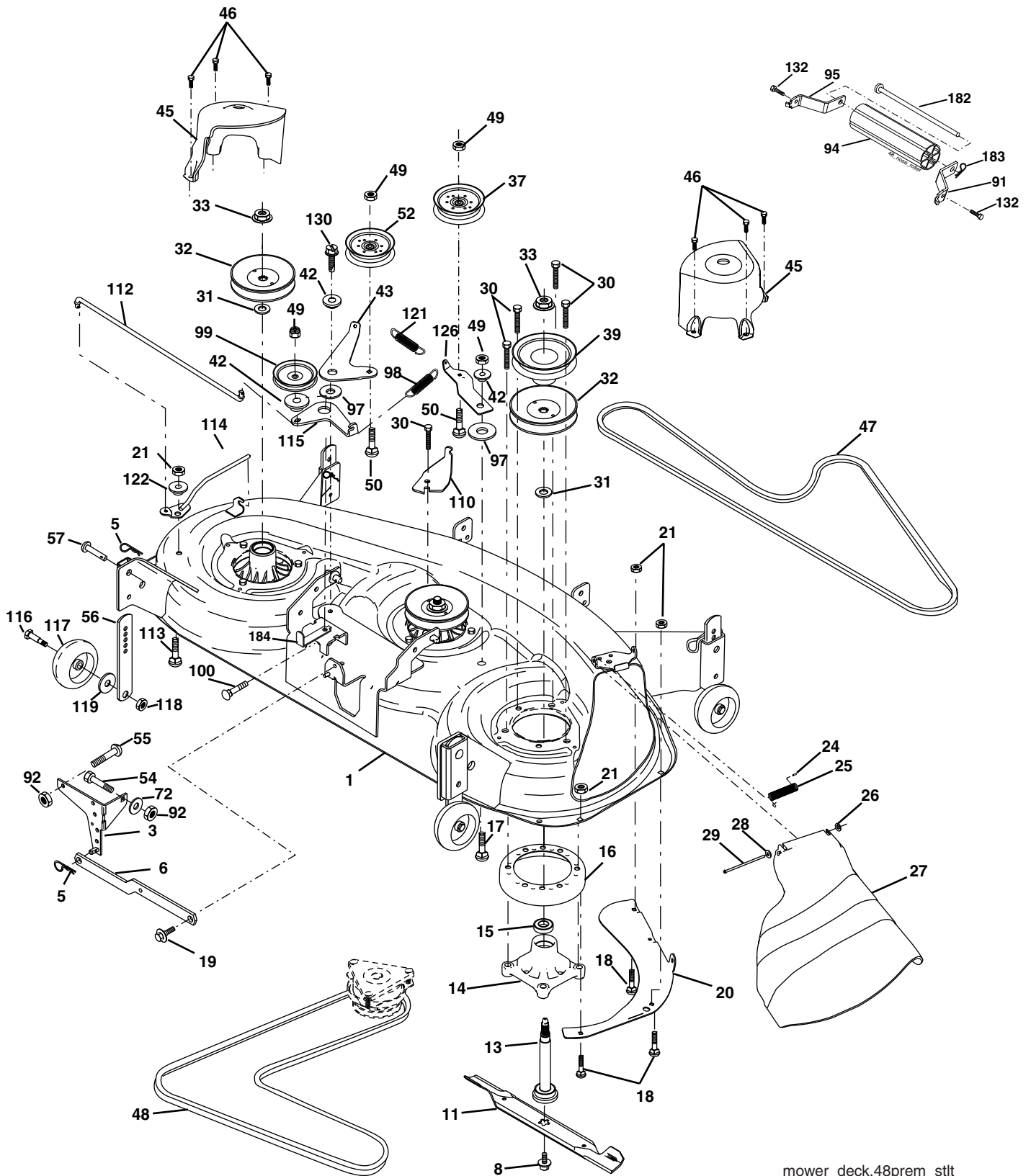
KEY NO.	PART NO.	DESCRIPTION	KEY NO.	PART NO.	DESCRIPTION
1	189022	Seat	13	121248X	Bushing Snap Blk Nyl 50 Id
2	140551	Bracket Pivot Seat 8 720	14	72050412	Bolt Rdhd Sqnk 1/4-20 x 1-1/2
3	71110616	Bolt Fin Hex 3/8-16 unc x 1	15	121249X	Spacer Split
4	19131610	Washer Flat 13/32 x 1 x 10 Ga.	16	123740X	Spring Cprsn
5	145006	Clip Push-In	17	123976X	Nut Lock 1/4 Lge Flg Gr. 5 Zinc
6	73800600	Nut Hex w/Ins. 3/8-16 unc	21	171852	Bolt Shoulder 5/16-18 unc
7	124181X	Spring Seat Cprsn 2 250 Blk Zi	22	73800500	Nut Hex Lock W/Ins 5/16-18
8	17000616	Screw 3/8-16 x 1	24	19171912	Washer 17/32 x 1-3/16 x 12 Ga.
9	19131614	Washer 13/32 x 1 x 14 Ga.	25	127018X	Bolt Shoulder 5/16-18 x 62
10	182493	Pan Seat			
11	166369	Knob Seat Adj. Wingnut			
12	174648	Bracket Mounting Switch			

NOTE: All component dimensions given in U.S. inches.
1 inch = 25.4 mm

REPAIR PARTS

TRACTOR - MODEL NUMBER PK23H48YT (96012002000)

MOWER DECK



mower_deck.48prem_stlt

REPAIR PARTS

TRACTOR - MODEL NUMBER PK23H48YT (96012002000)

MOWER DECK

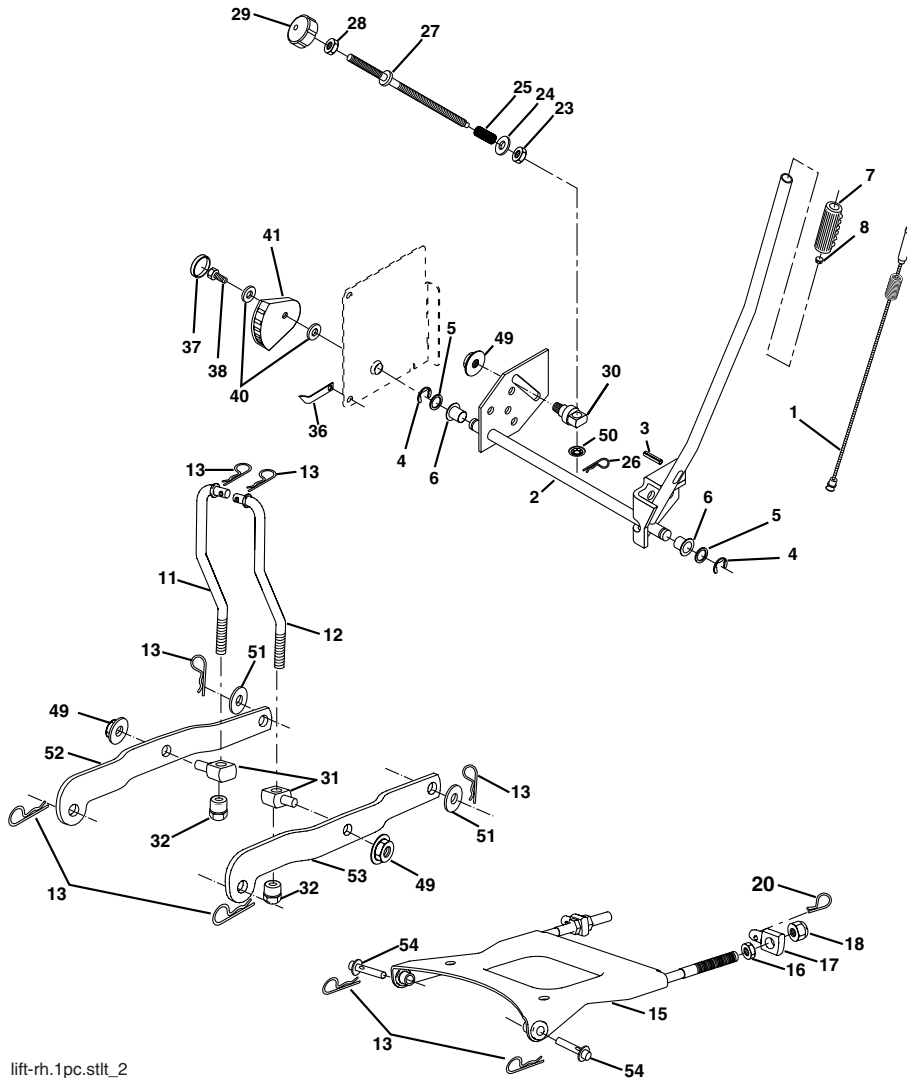
KEY NO.	PART NO.	DESCRIPTION	KEY NO.	PART NO.	DESCRIPTION
1	180358X421	Deck Weldment Mower 48	52	175820	Pulley Idler Flat
3	138017	Bracket Asm., Sway Bar	54	74780616	Bolt Fin Hex 3/8-16 x 1
5	4939M	Retainer Spring	55	72140608	Bolt Carriage Sqkn. 3/8-16 x 1
6	178024	Arm, Suspension, Rear Sway Bar Deck	56	155986	Bar Pnt Adj.
8	174365	Bolt 7/16 Asm. Blade (The following blades are available)	57	156941	Pin Head Rivet
11	180054	Blade, 48" Hi-Lift (For bagging and discharging)	72	19131312	Washer 13/32 x 13/16 x 12 Ga.
--	173921	Blade, 48" Mulching (For mulching mowers only)	91	180535	Bracket, Asm Noseroller, RH
13	174360	Shaft Asm. w/Lower Bearing	92	73800600	Nut Lock Hex 3/8-16
14	174358	Mandrel Asm. Housing	94	176066	Noseroller
15	110485X	Bearing, Ball, Mandrel	95	180534	Bracket, Asm Noseroller LH
16	174493	Stripper Mandrel Deck	97	178515	Washer Hardened
17	72110610	Bolt RDHD Sq Neck 3/8-16 x 1.25	98	179479	Spring Primary Drive
18	72140505	Bolt, Carriage 5/16-18 x 5/8	99	189993	Pulley Idler"V"
19	132827	Bolt, Hex Hd, Shoulder 5/16-18	100	72110616	Bolt RDHD Sqkn 3/8-16 unc x 2
20	174378	Baffle, Vortex Mower	110	175016	Arm Spring Break
21	73680500	Nut, Crownlock 5/16-18 unc	112	174387	Link Tension Relief Lever
24	105304X	Cap, Sleeve	113	72110506	Bolt 5/16-18 x 3/4
25	178102	Spring, Torsion	114	174384	Tension Asm. Relief Lever
26	110452X	Nut, Push	115	174609	Arm Spring Tension Relief
27	180655X428	Deflector Shield	116	193406	Bolt, Shoulder
28	19111016	Washer 11/32 x 5/8 x 16 Ga.	117	174873	Gauge Wheel
29	131491	Rod, Hinge	118	73930600	Nut, Centerlock 3/8-16 unc
30	173984	Screw, Thdroll Washer Head	119	19121414	Washer 3/8 x 7/8 x 14 Ga.
31	187690	Washer, Spacer	121	174371	Spring Secondary Drive
32	173436	Pulley, Mandrel	122	174606	Bushing Pivot Tension Relief
33	178342	Nut, Flg. Top Lock Cntr. 9/16	126	174372	Arm, Idler, Primary Deck
37	177968	Pulley, Idler, Flat	130	17000616	Screw 3/8-16 x 1.0
39	174375	Pulley, Idler, Driven	132	17000612	Screw 3/8-16 x .75
42	122052X	Spacer, Retainer	182	179127	Rod Roller Nose
43	174373	Arm, Idler Secondary	183	163552	Retainer Spring
45	180806	Cover, Mandrel Deck	184	173979	Keeper Belt Idler
46	137729	Screw, Thdroll. 1/4-20 x 5/8	--	174356	Mandrel Asm. Service (Includes Key Nos. 13-15 and 33)
47	180808	V-Belt, Mower, Secondary	--	180939	Relplacement Mower, Complete (Std. Deck - Order separately nose roller components key nos. 91, 94, 95, 132, 182, and 183)
48	174368	V-Belt, Mower, Primary			
49	73900600	Nut, Lock 3/8-16 unc			
50	72110612	Bolt, Carr. 3/8-16 x 1-1/2 Gr. 5			

NOTE: All component dimensions given in U.S. inches
1 inch = 25.4 mm

REPAIR PARTS

TRACTOR - MODEL NUMBER PK23H48YT (96012002000)

MOWER LIFT



lift-rh.1pc.stlt_2

KEY NO.	PART NO.	DESCRIPTION
1	184432	Plunger Asm.
2	159476	Shaft Asm Lift RH w/Inf
3	188822	Pin Groove
4	12000002	E Ring #5133-62
5	19211621	Washer 21/32 x 1 x 21 Ga.
6	120183X	Bearing Nylon Blk 629 Id
7	175830	Grip Handle
8	124526X	Button Plunger
11	175370	Link Lift LH
12	175371	Link Lift RH
13	4939M	Retainer Spring
15	175562	Plate Asm. Suspension Front
16	73350800	Nut Jam Hex 1/2-13 unc
17	175689	Trunnion Front Susp.
18	73800800	Nut Lock w/Wsh 1/2-13 unc
20	163552	Retainer Spring
23	110807X	Nut Special
24	19131016	Washer 13/32 x 5/8 x 16 Ga.
25	164024	Spring

KEY NO.	PART NO.	DESCRIPTION
26	169484	Retainer Clip
27	164543	Rod Adj Lift
28	73350600	Nut Hex Jam 3/8-16 unc
29	138057	Knob Inf 3/8-16 unc Blk W/sym
30	150233	Trunnion Infin Height
31	176205	Trunnion Susp. Arm
32	175994	Nut Lift Link 7/16-20
36	155097	Pointer Height Indicator
37	123935X	Plug Hole Blk 1.485/1.515 Dia.
38	17060516	Screw 5/16-18 x 1
40	19112410	Washer 11/32 x 1-1/2 10 Ga.
41	155098	Indicator Height STLT
49	145212	Nut Hex Flange Lock
50	110452X	Nut PUsH Phos & Oil
51	19171416	Washer 17/32 x 7/8 x 16 Ga.
52	175378	Arm Susp. Rear LH
53	175802	Arm Susp. Rear RH
54	175560	Pin

NOTE: All component dimensions given in U.S. inches
1 inch = 25.4 mm